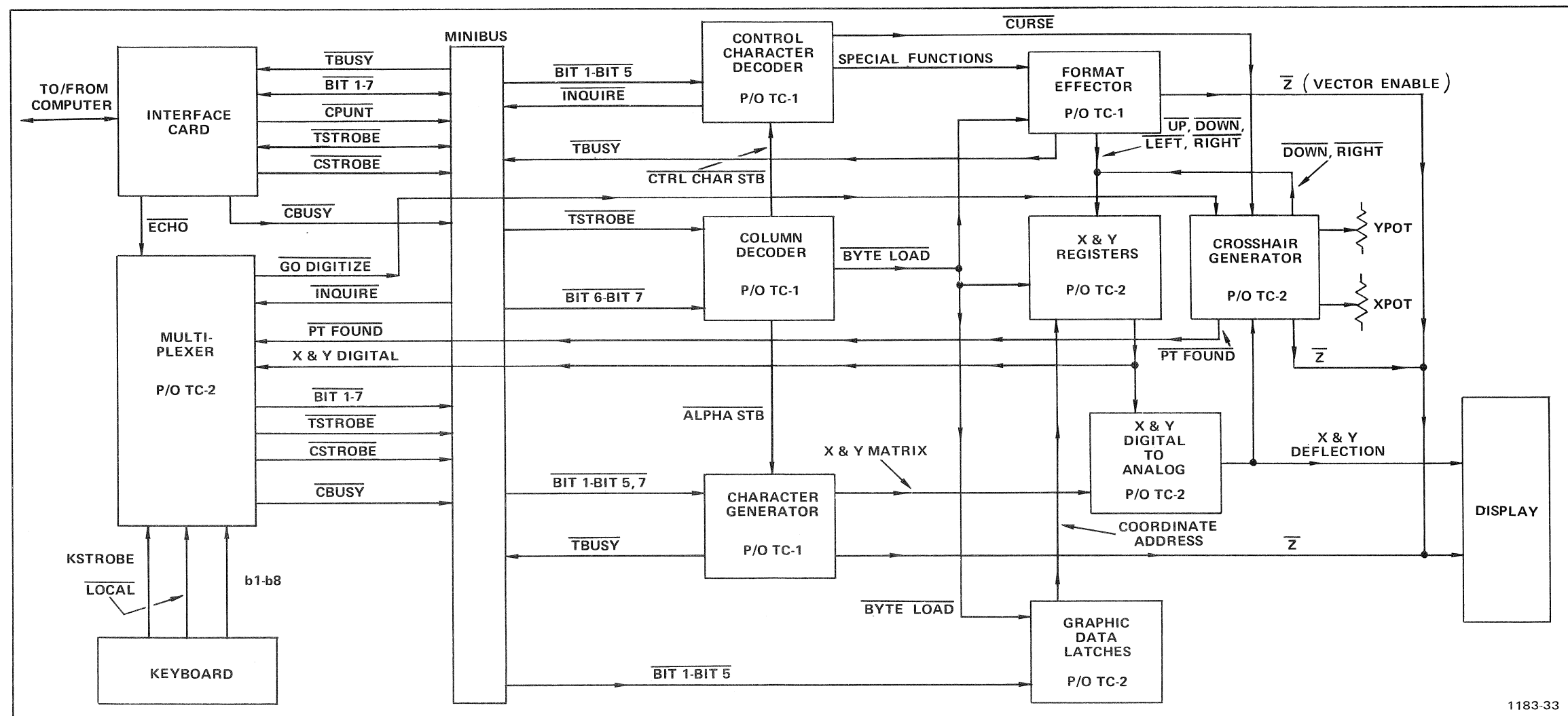
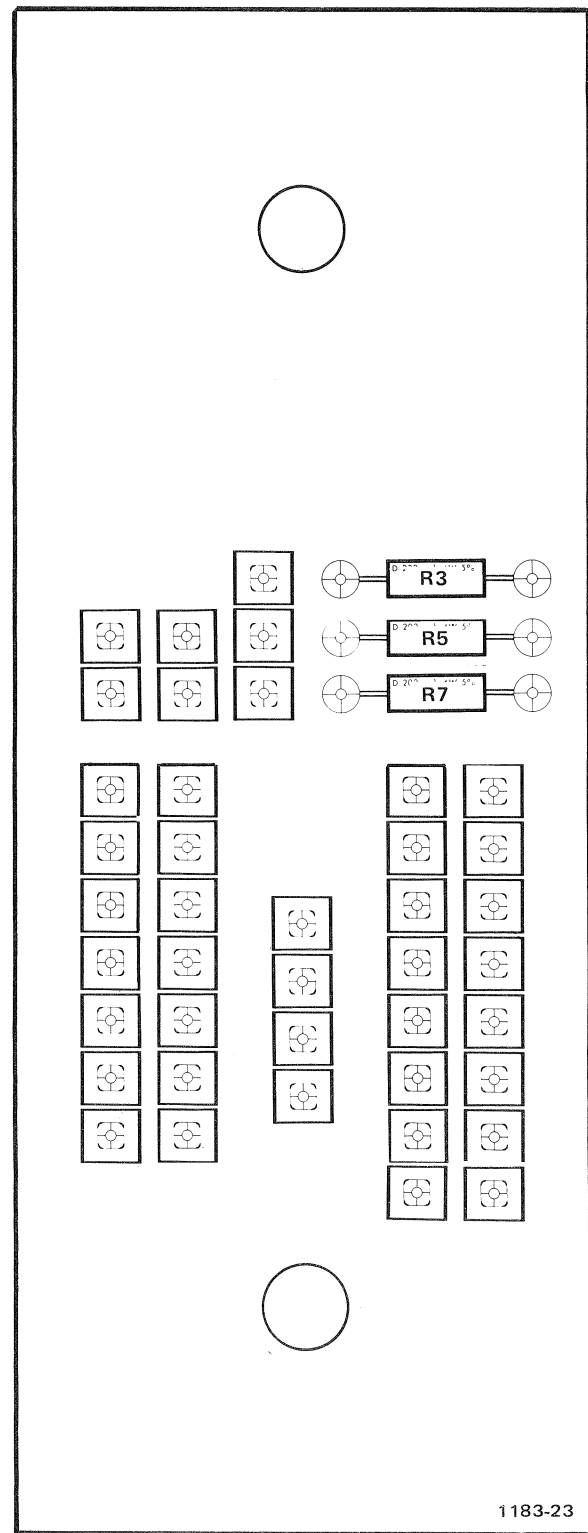


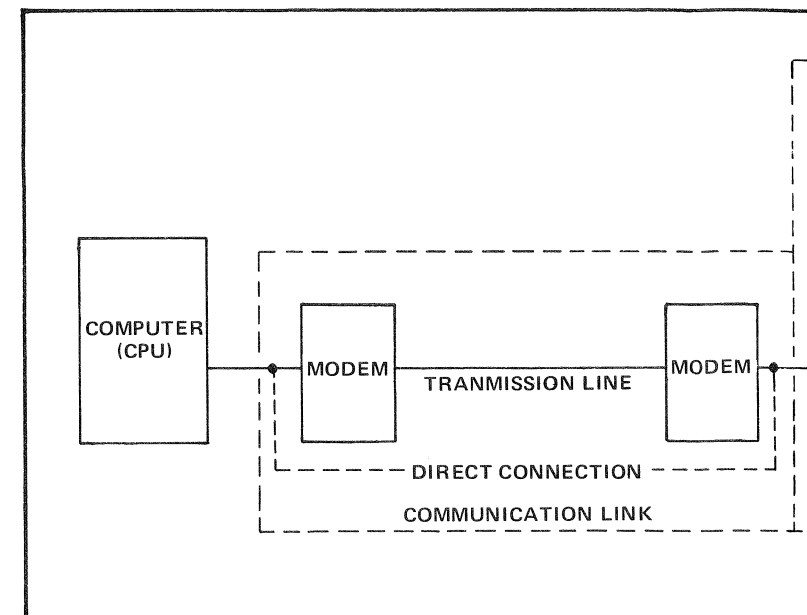
Terminal/Computer Communications Block Diagram.



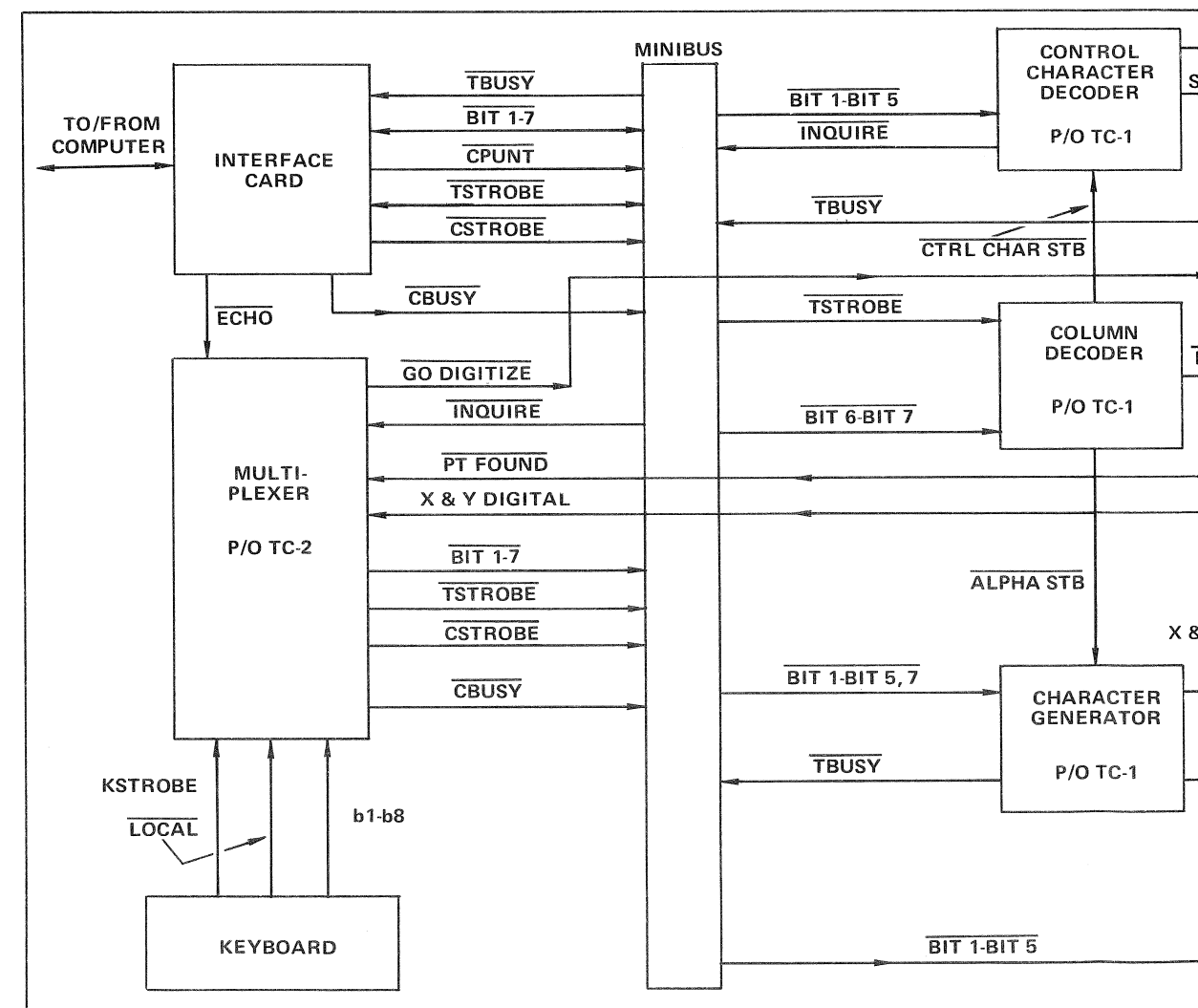
Terminal Data Flow Block Diagram.



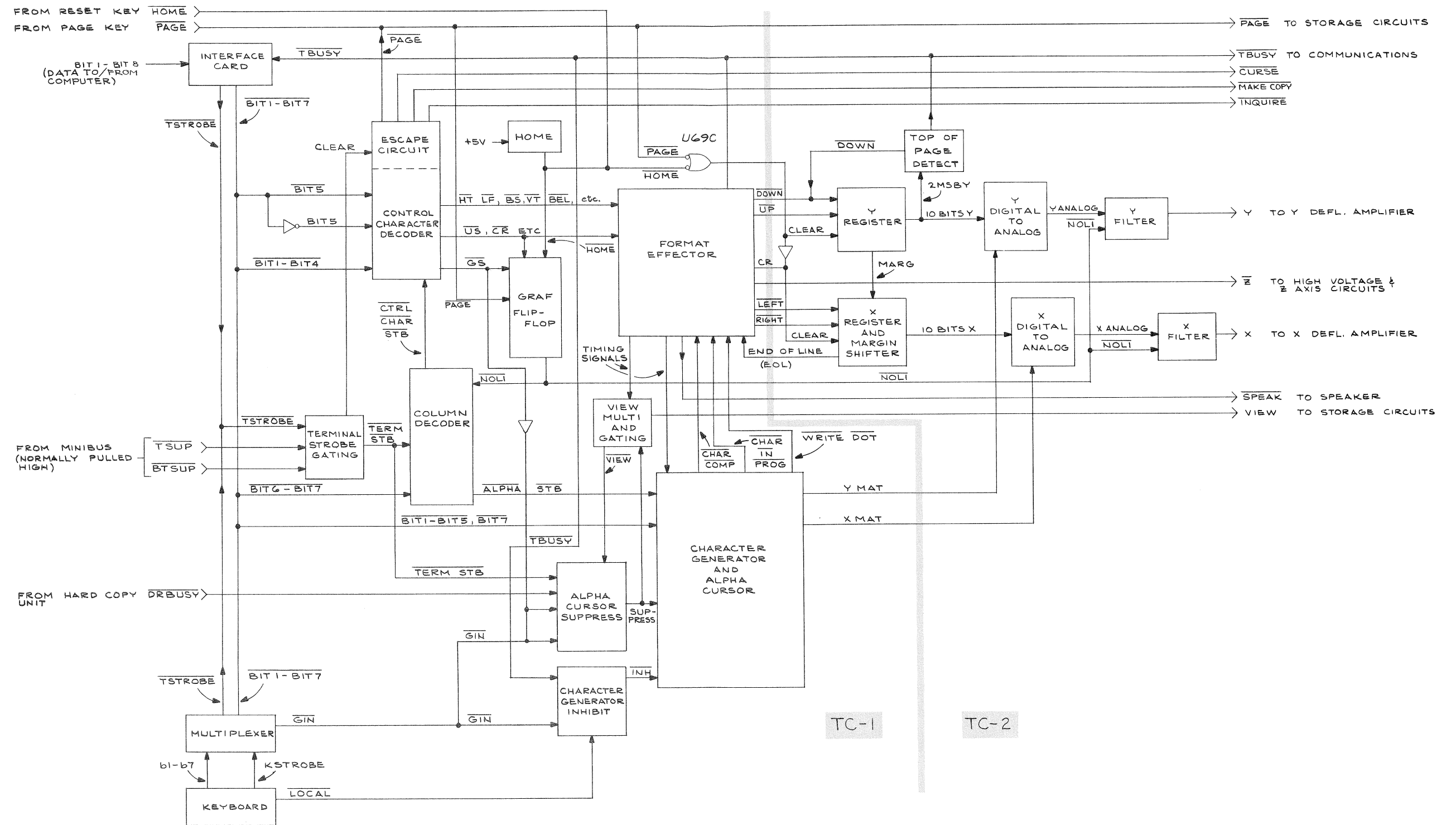
Display Interconnect Board Component Location.



Terminal/Computer Communications



Terminal Data Flow Block

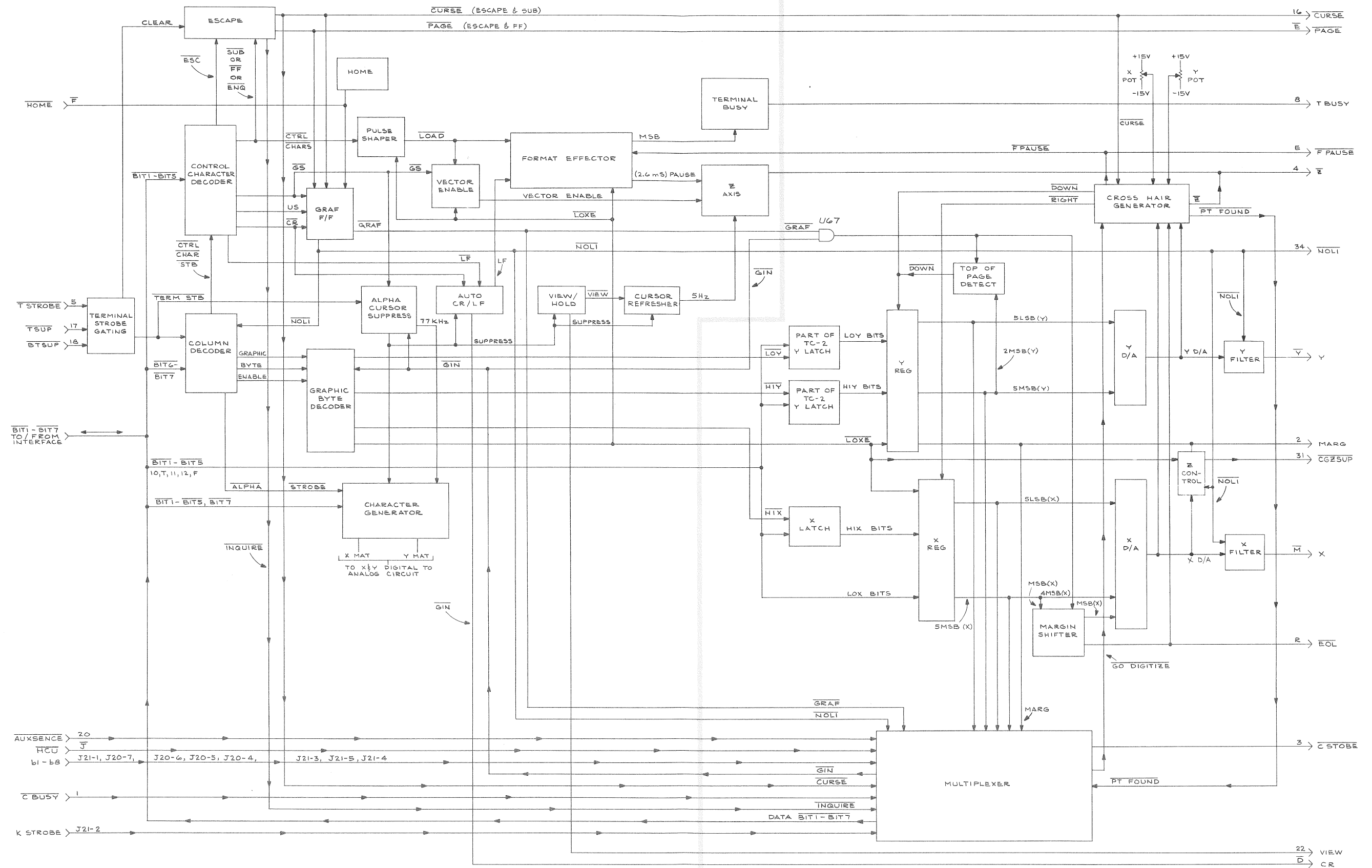


4010/4010-1

REV. C, APRIL 1976
1183-53

ALPHA MODE BLOCK DIAGRAM 372
RL

ALPHA MODE BLOCK DIAGRAM



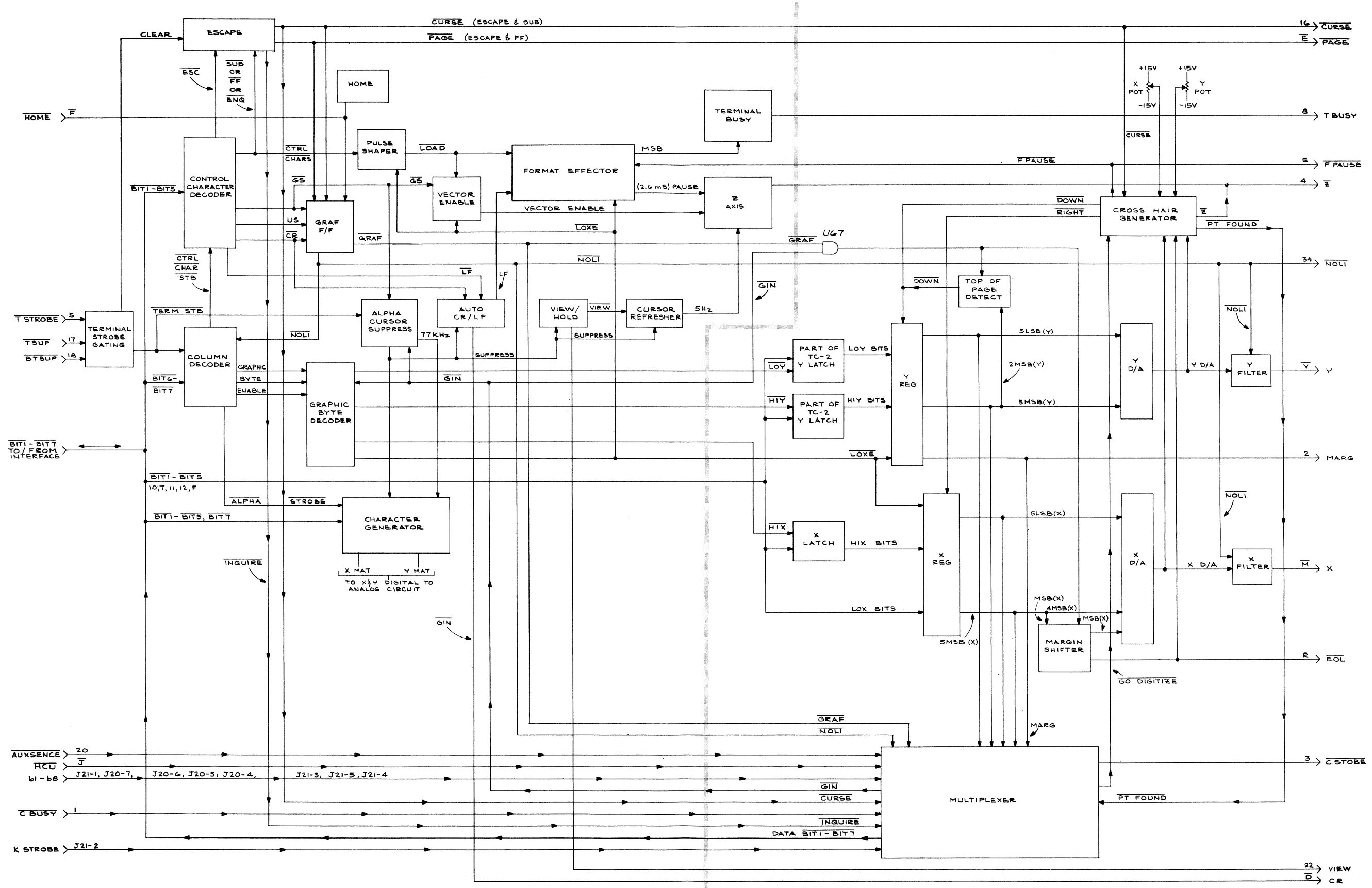
4-010/4010-1

TC-1
REV. B, APRIL 1976
1183-55

TC-2

670-1729-04 1/2 UP GRAPHIC MODES BLOCK DIAGRAM R_{HL}

GRAPHIC MODES BLOCK
670-1729-04 & UP

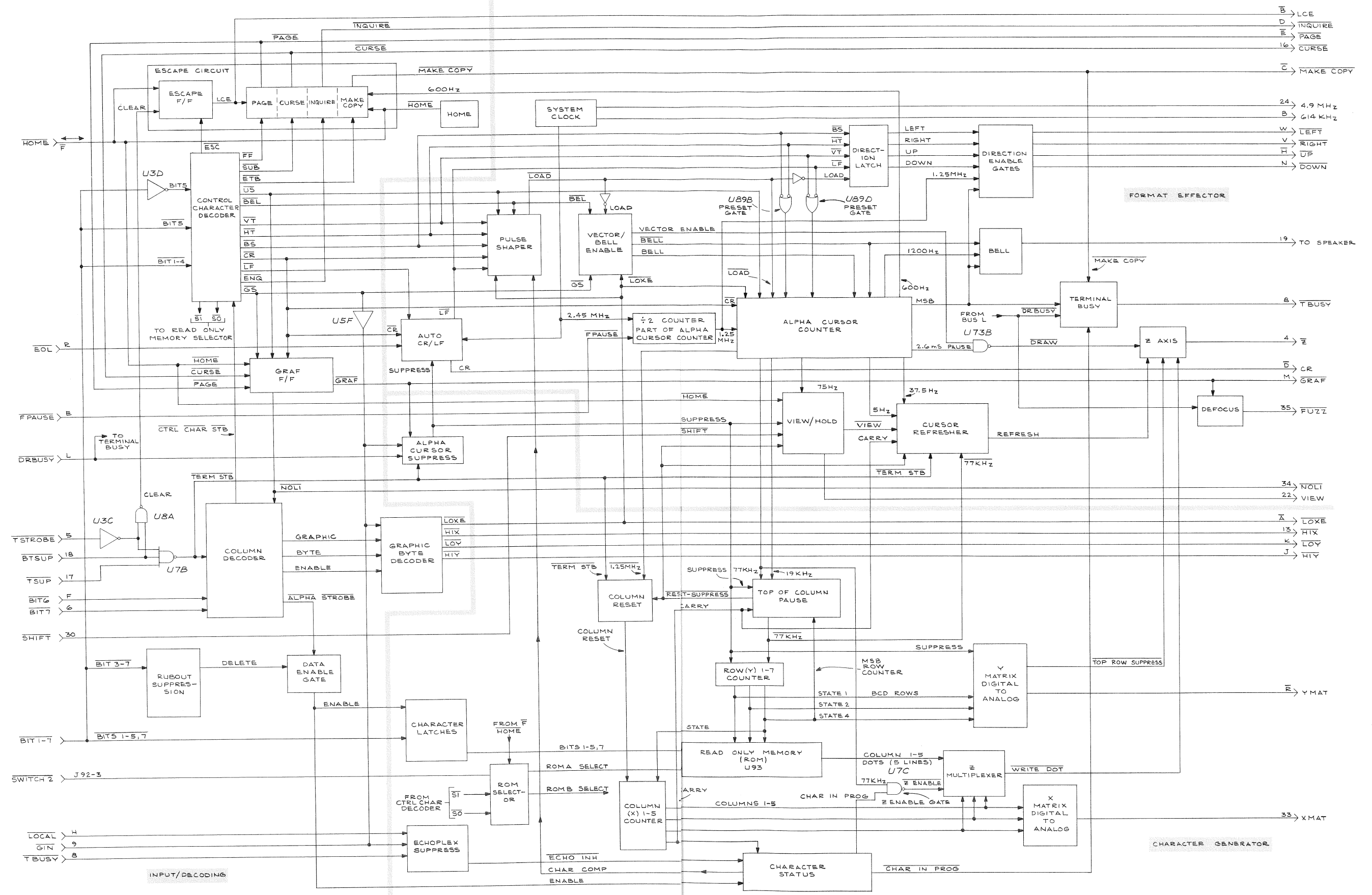


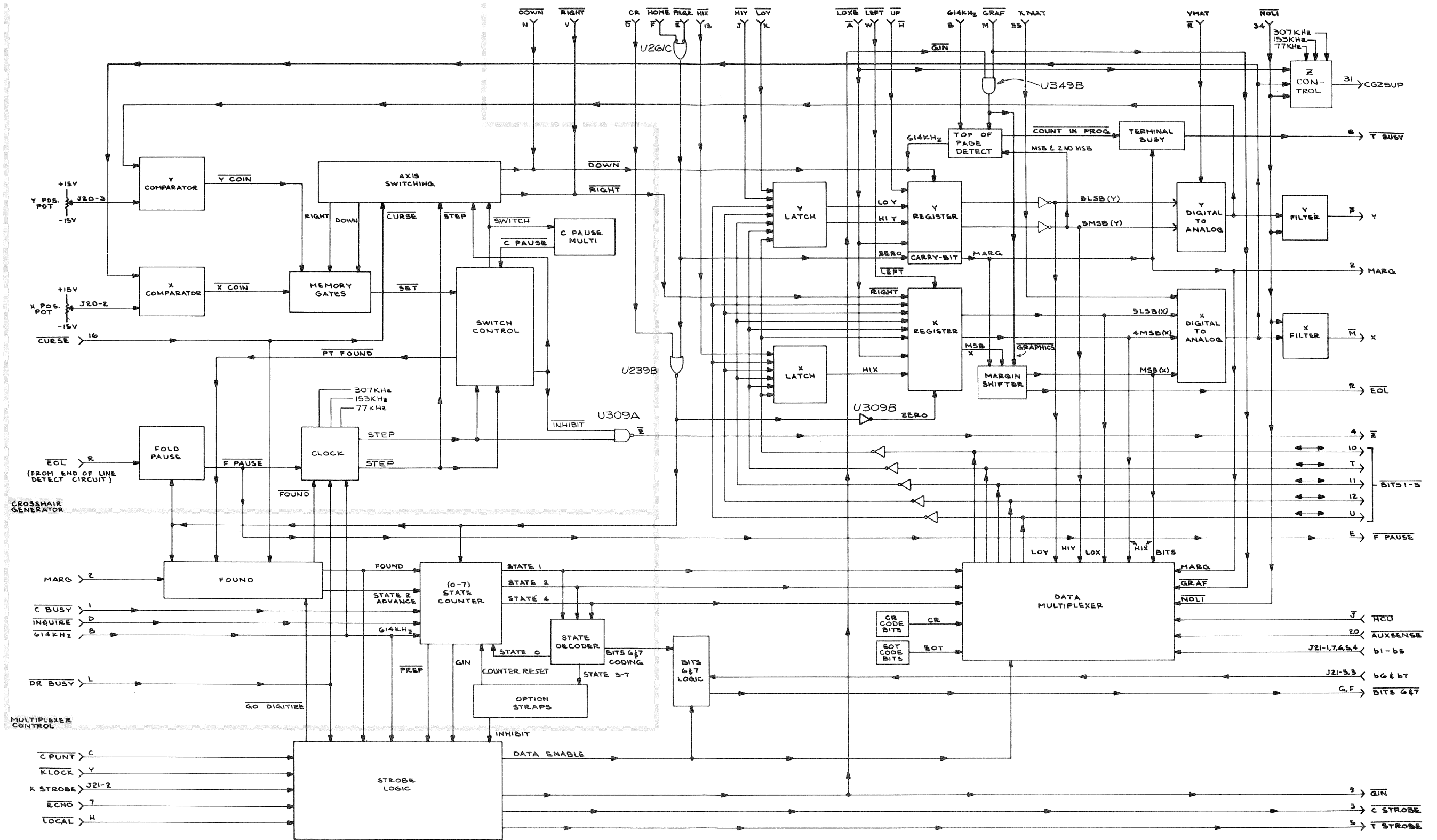
4010/4010-1

TC-1
REV. C, APRIL 1976
1163-54

TC-2

670-1729-03 & BELOW GRAPHIC MODES BLOCK DIAGRAM R_{4L}



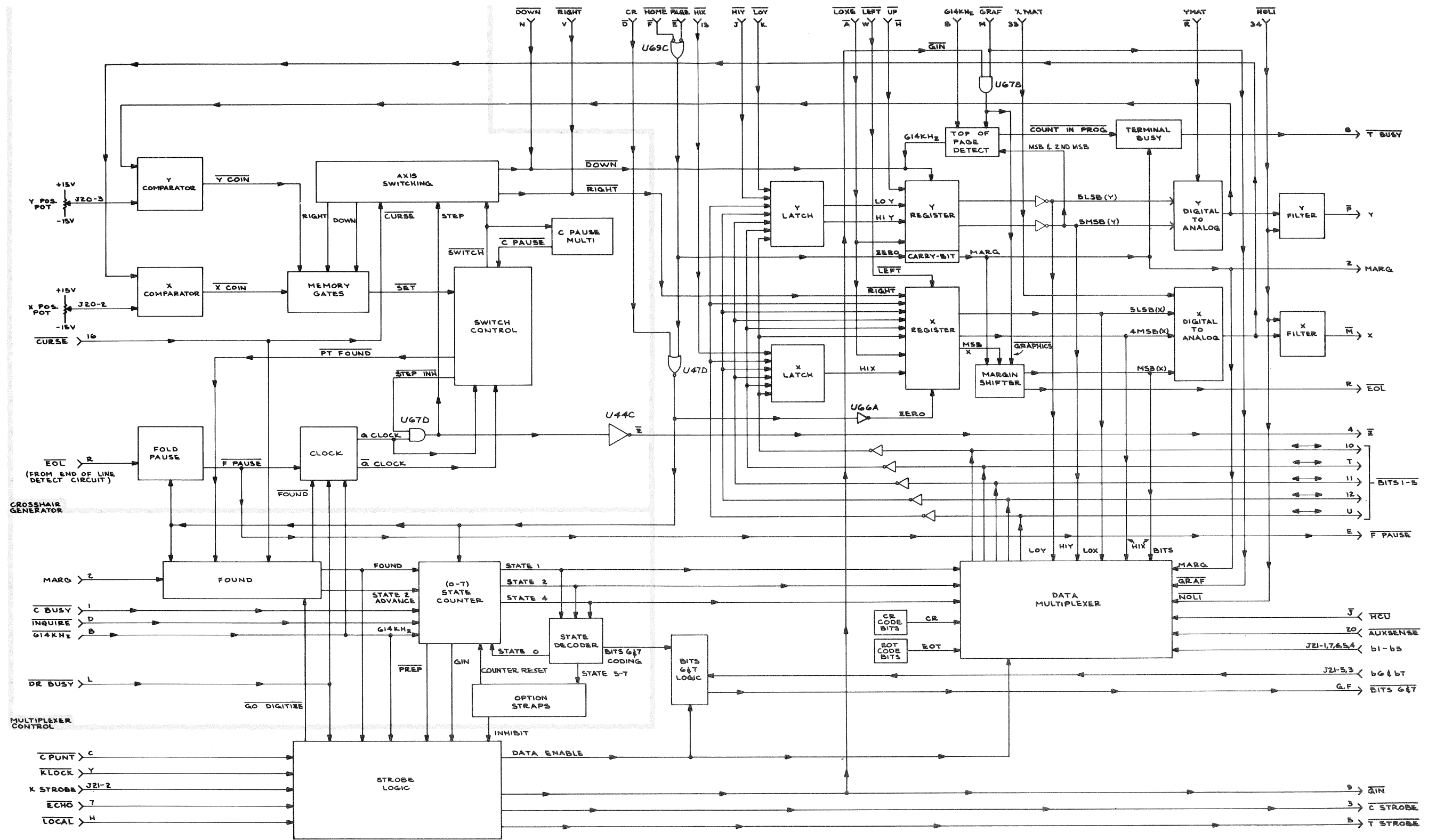


4010/4010-1

REV. C, APRIL 1976
(1461) 1183-77

670-1729-05 & UP TC-2 DETAILED BLOCK DIAGRAM RH

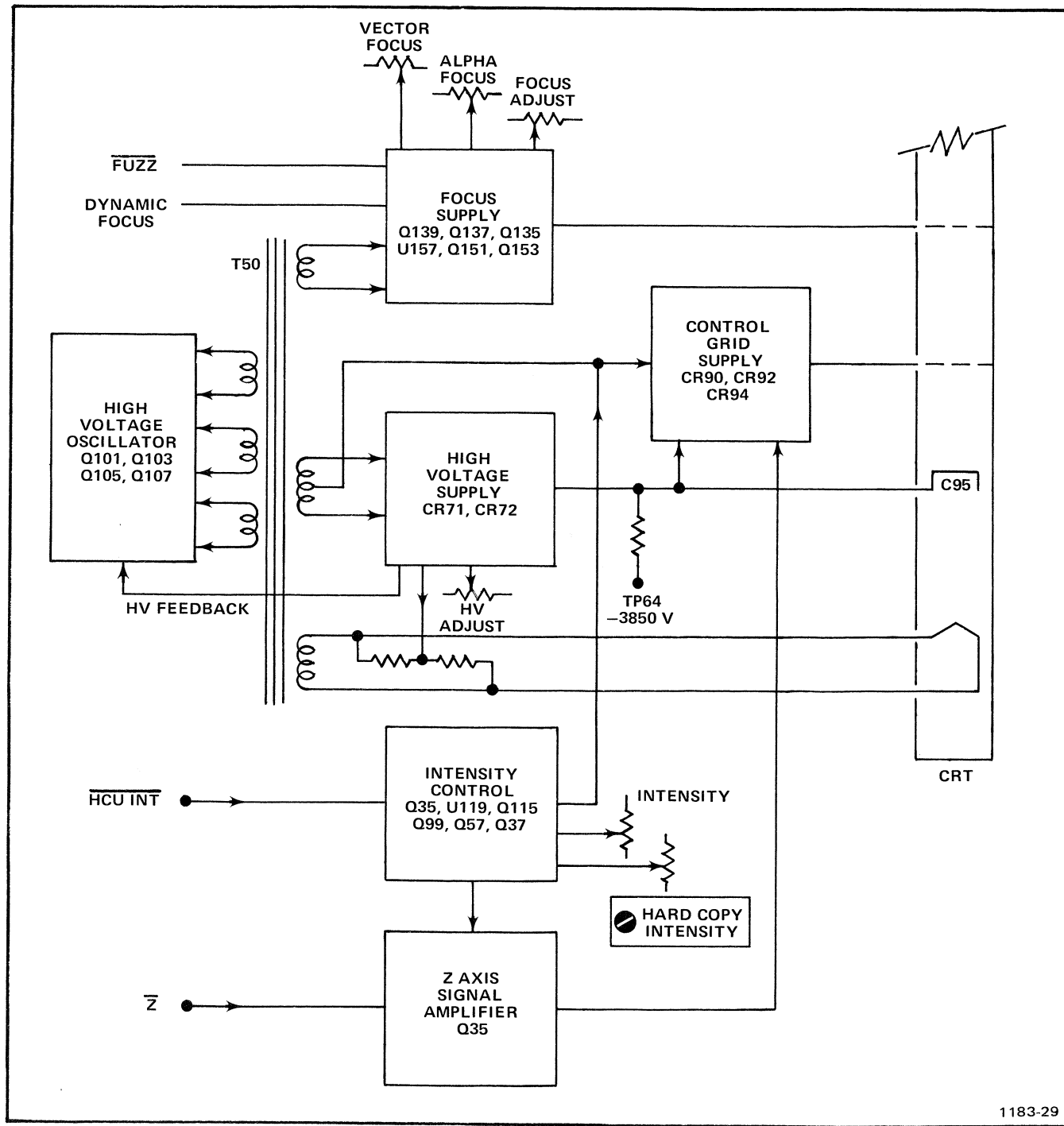
TC-2 BLOCK
670-1729-05 & UP



4010/4010-1

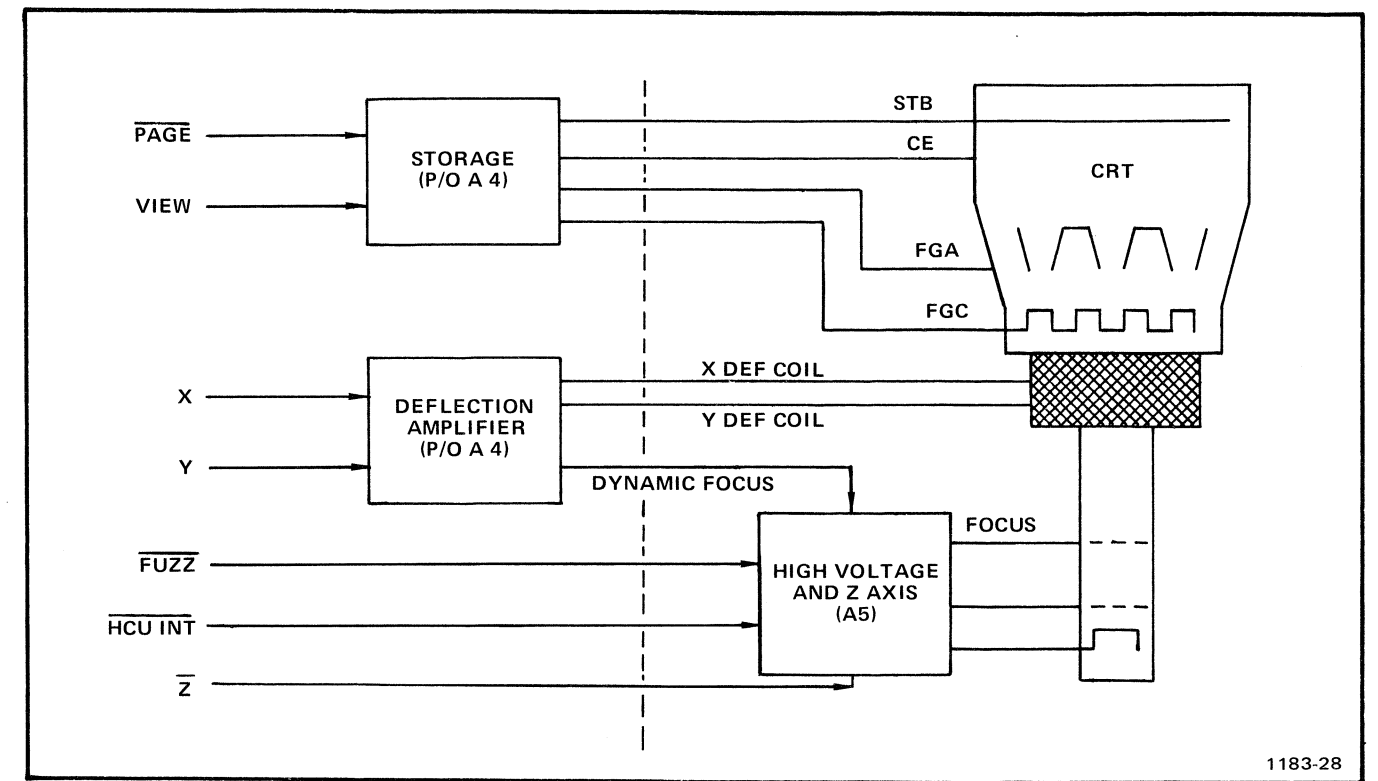
REV. C, APRIL 1976
(1461) 1183-78

670-1729-04 & BELOW TC-2 DETAILED BLOCK DIAGRAM RH



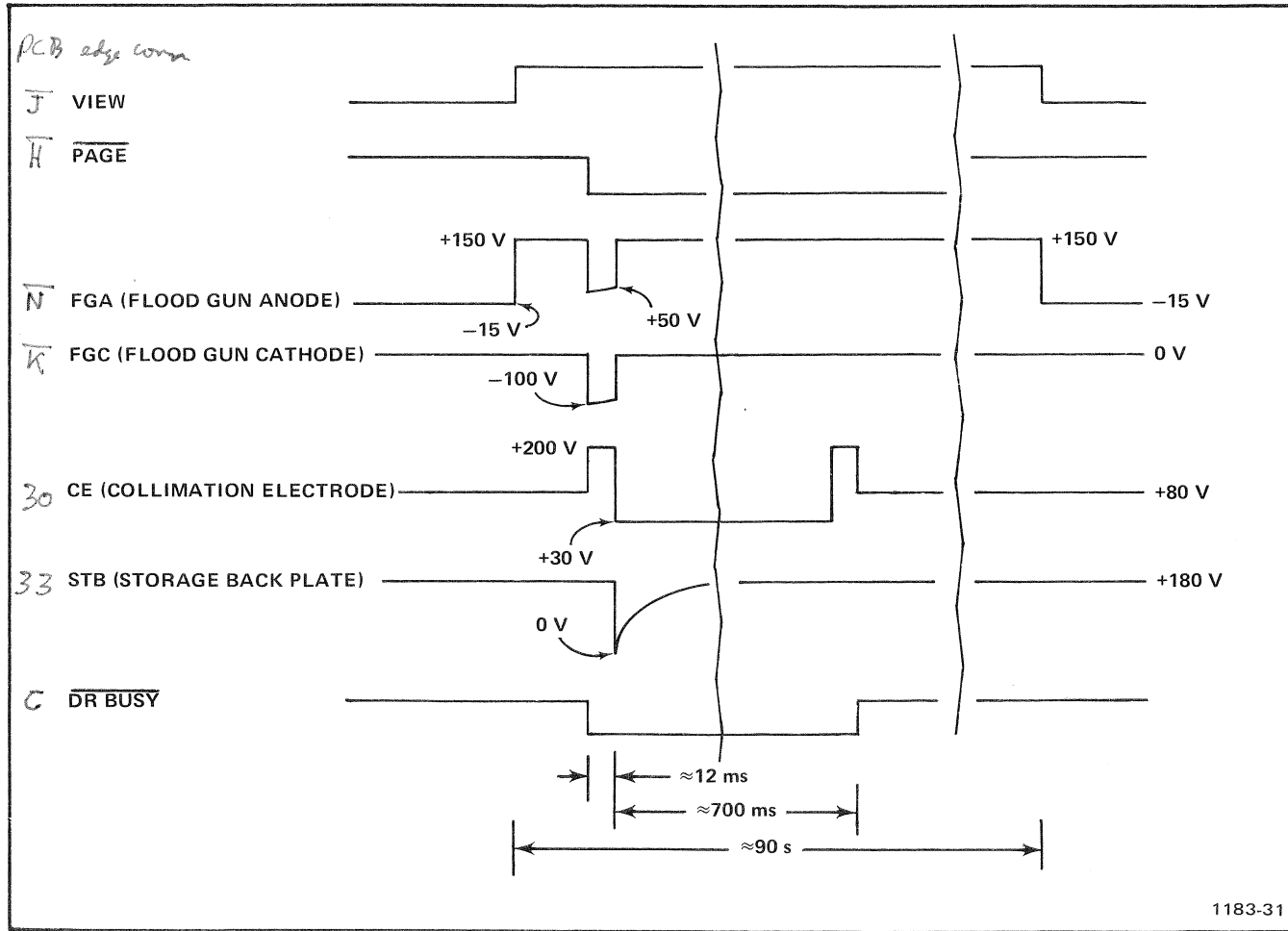
High Voltage and Z Axis Block Diagram

1183-29

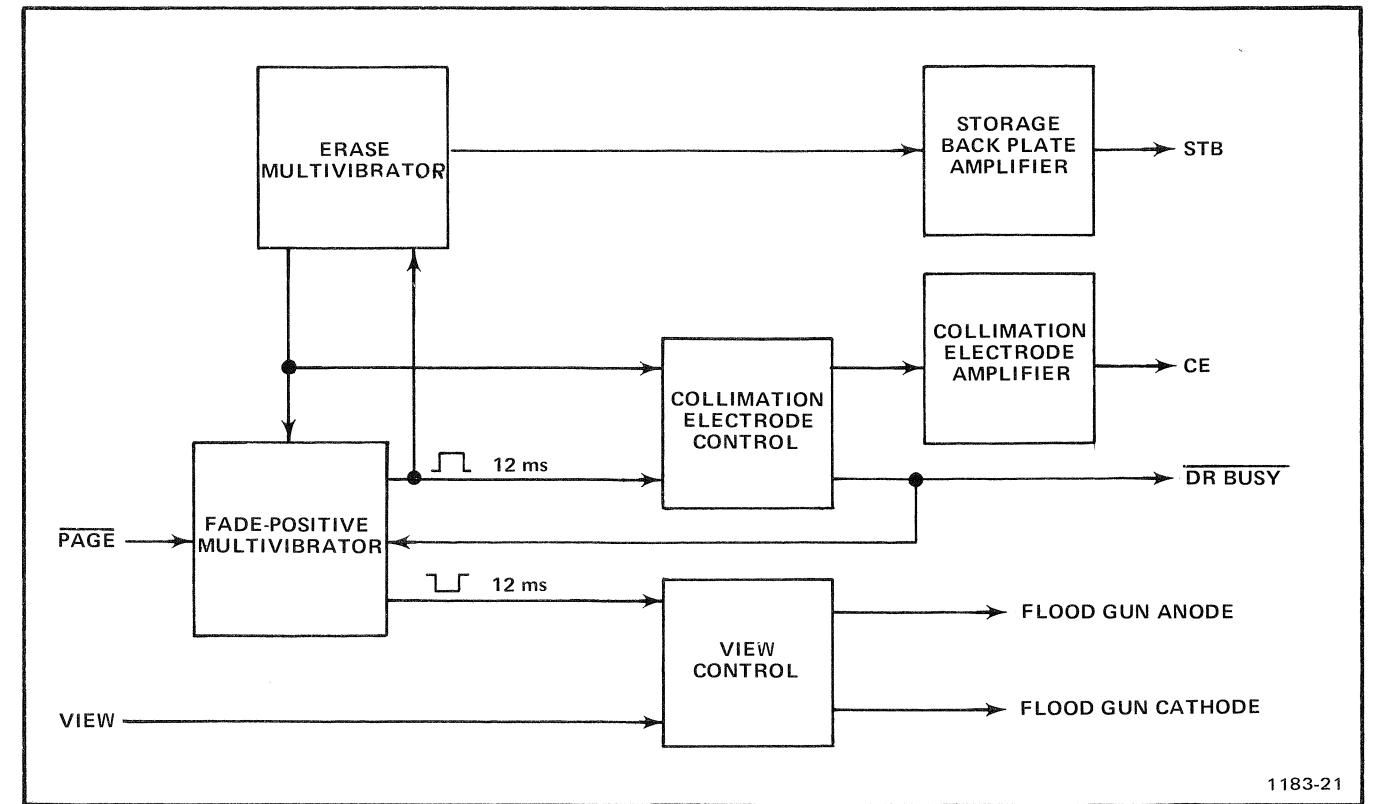


Display Unit Block Diagram

1183-28

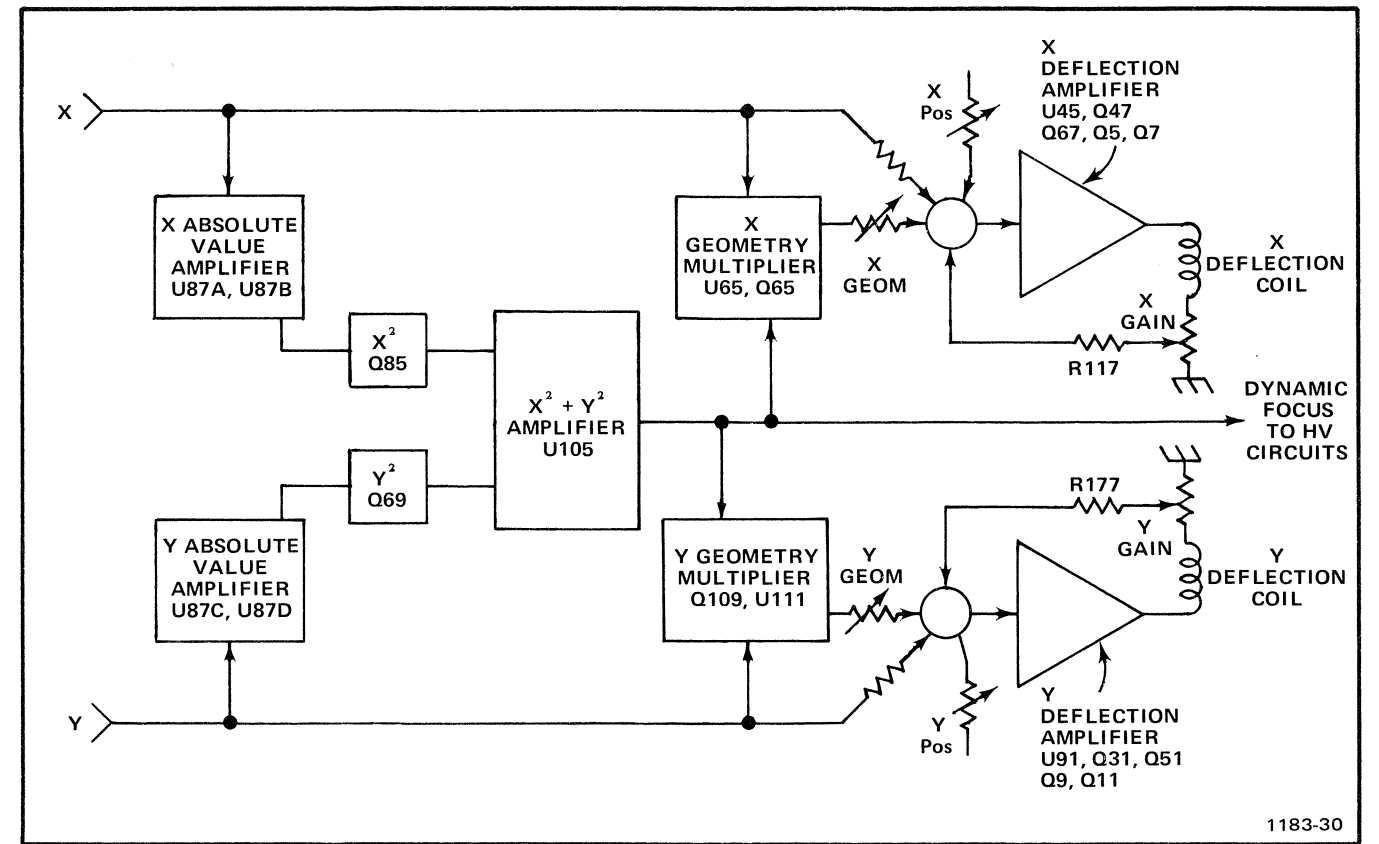


Storage Circuit Waveforms.



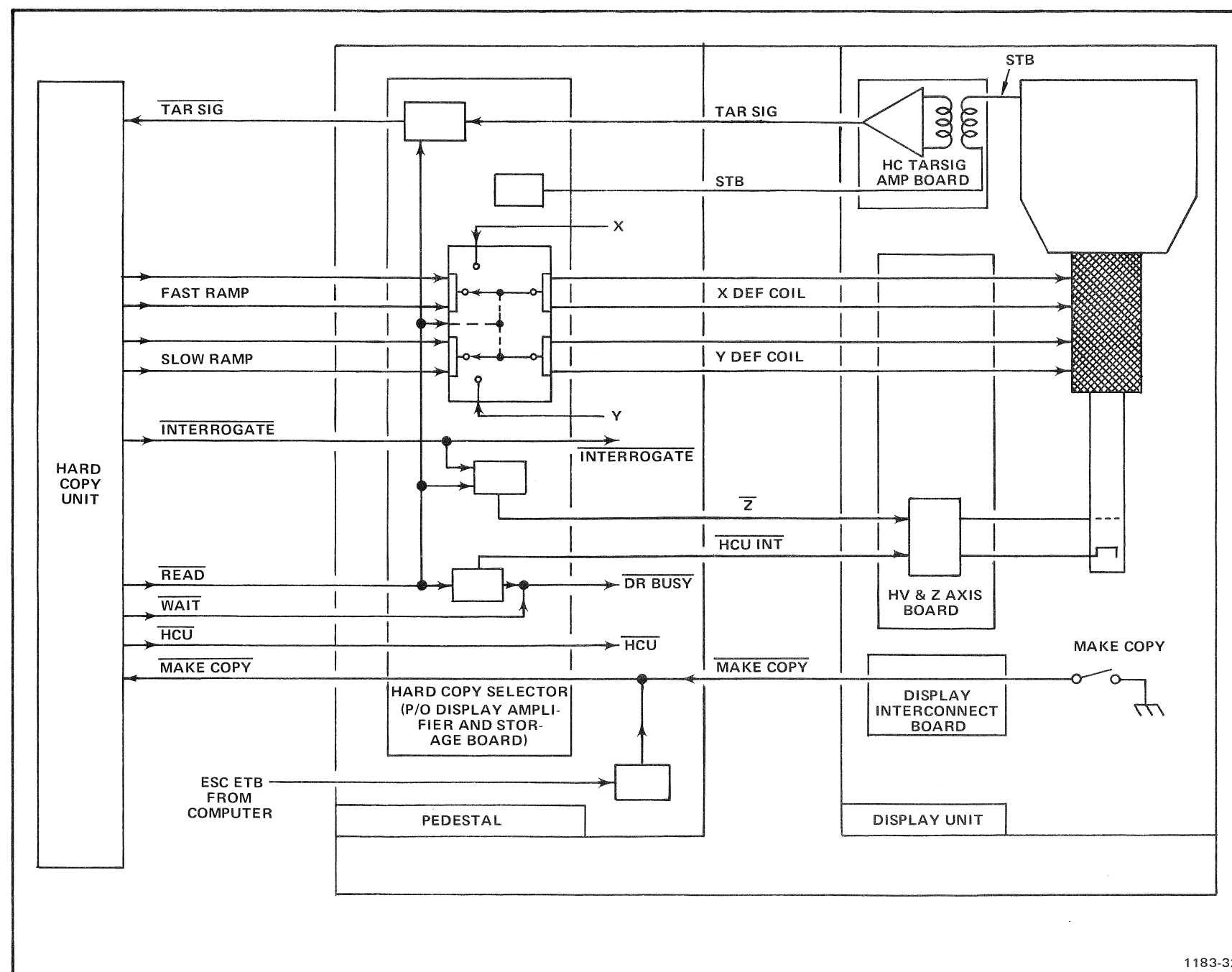
Storage Circuit Block Diagram.

STORAGE BLOCK DIAGRAMS

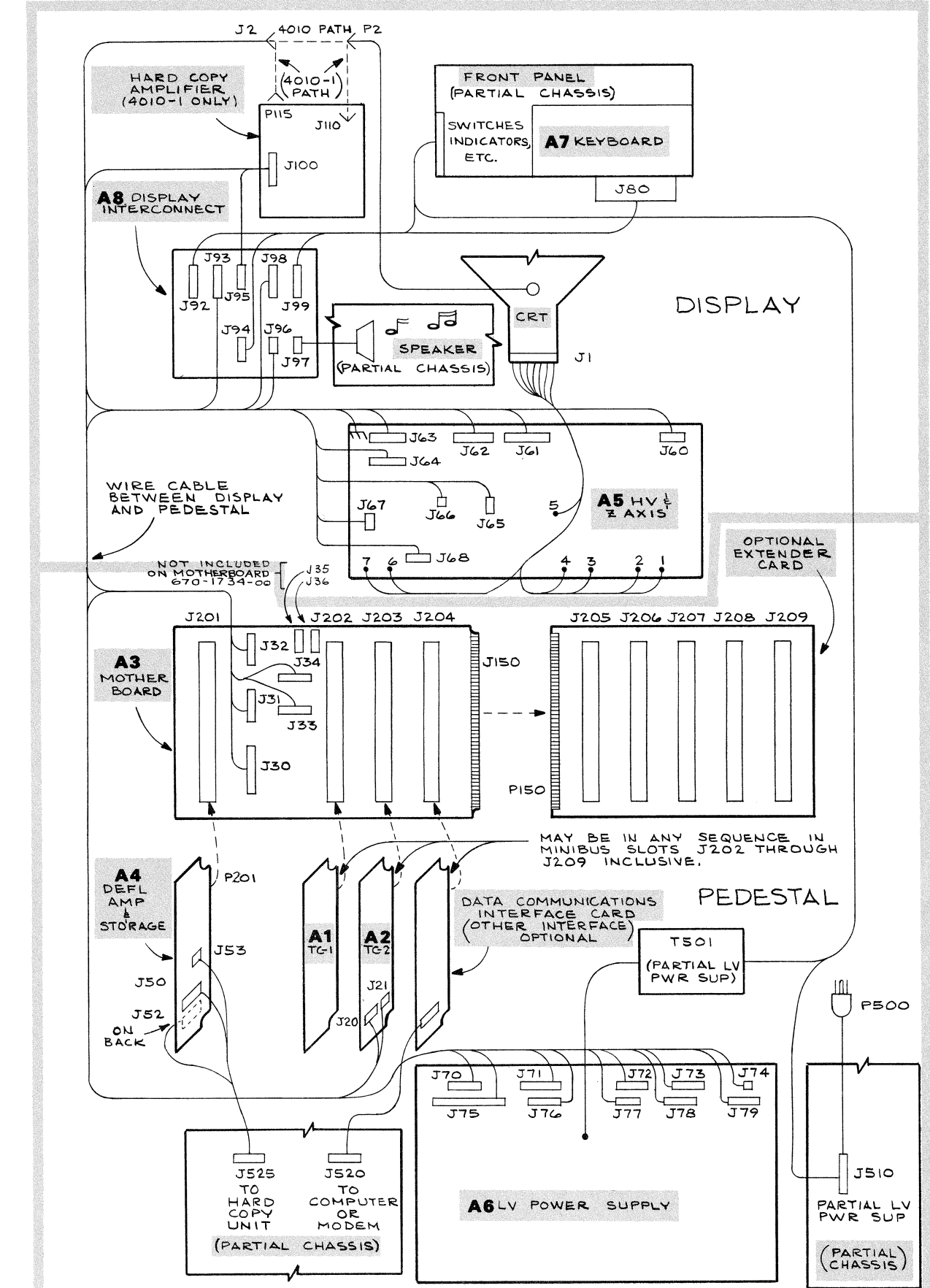
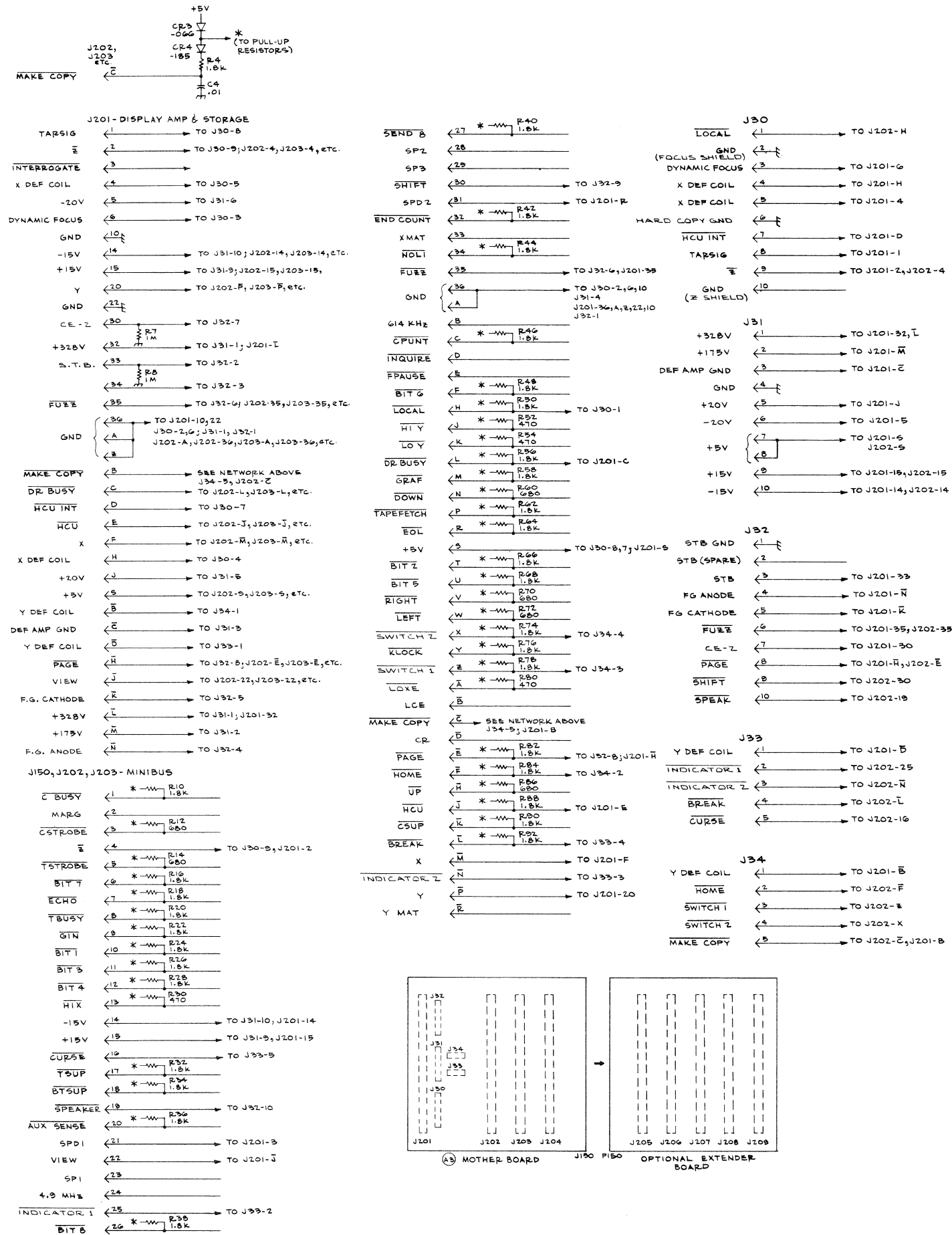


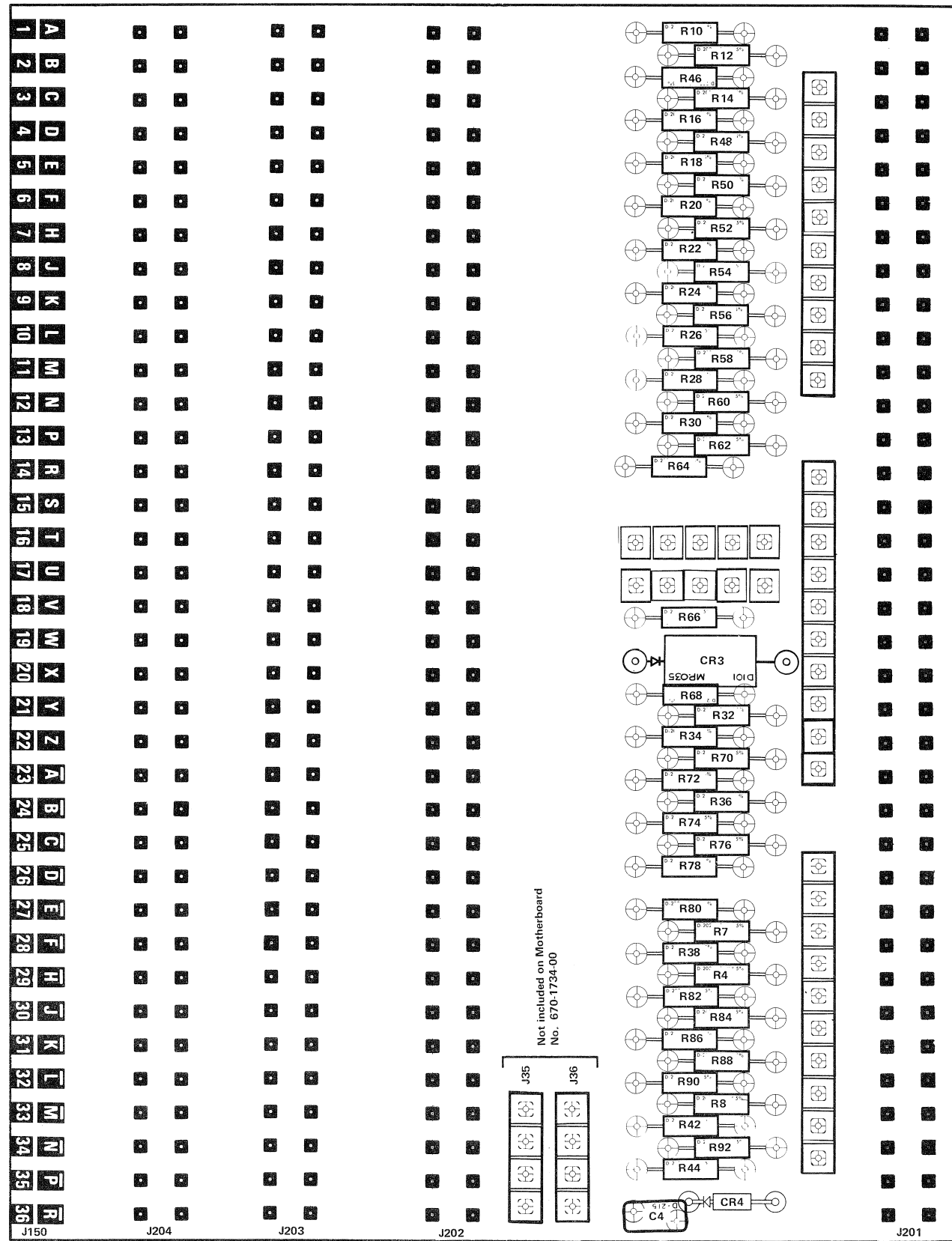
Deflection Amplifier Block Diagram.

DEFLECTION AMP BLOCK

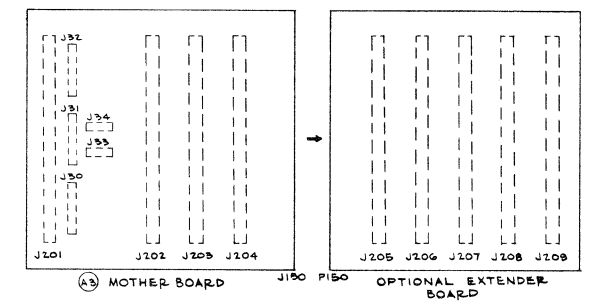
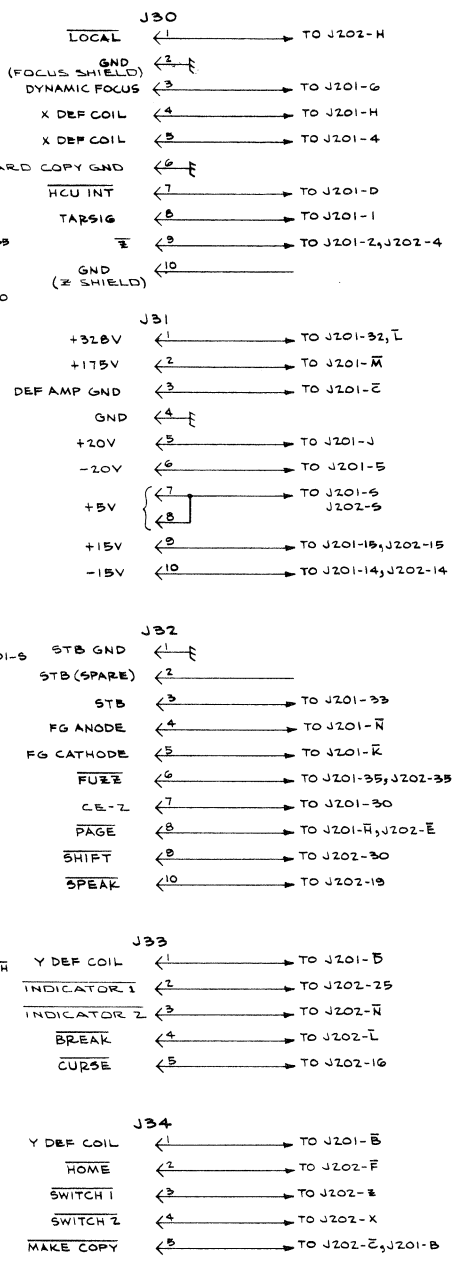
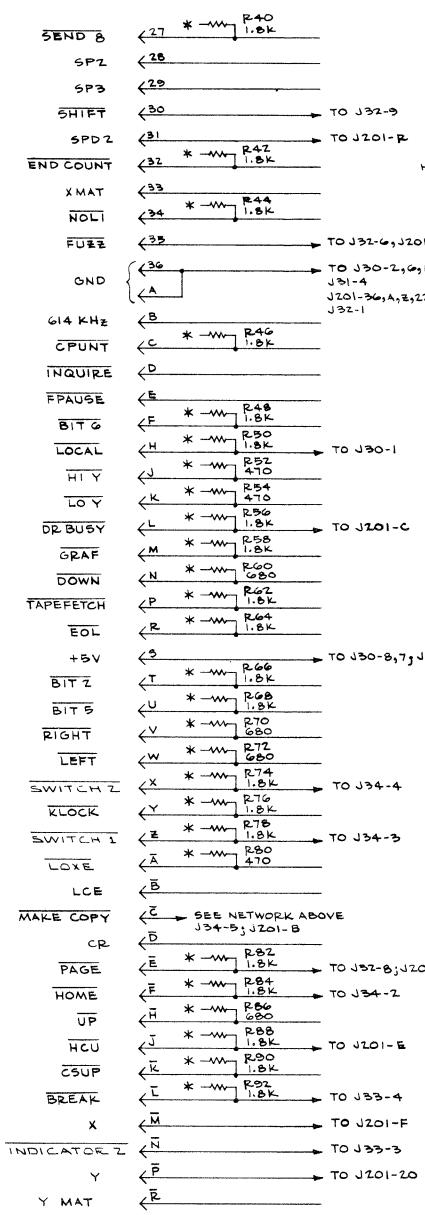
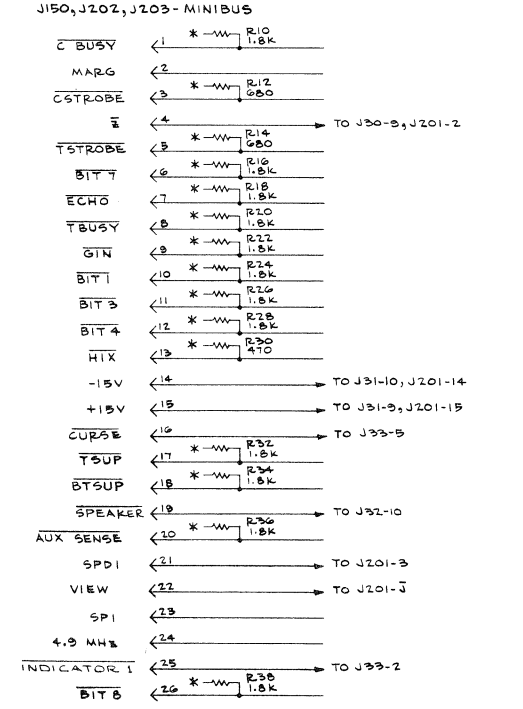
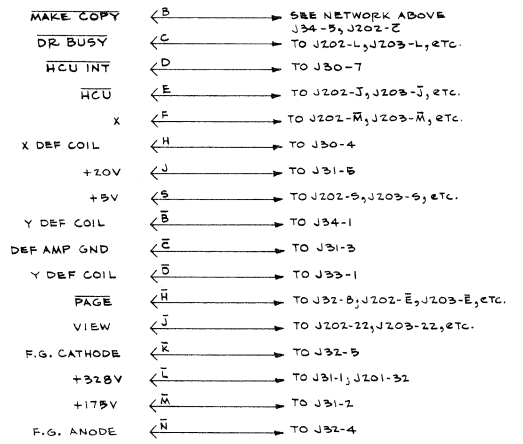
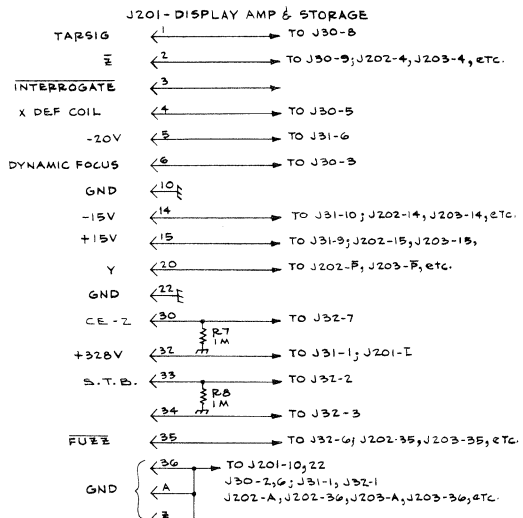
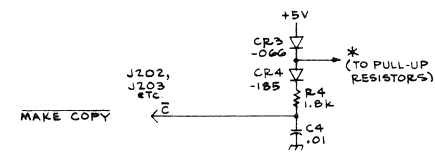


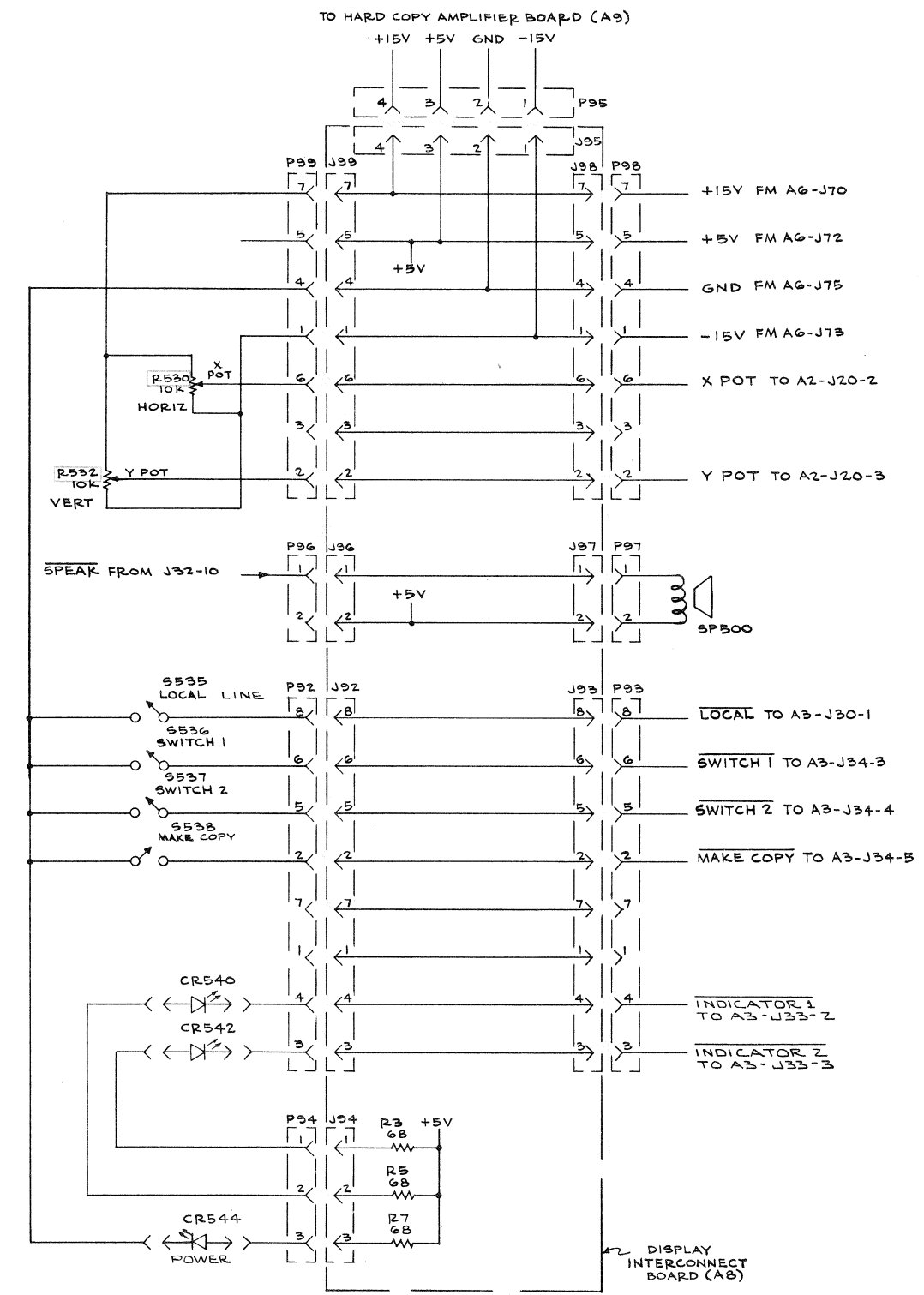
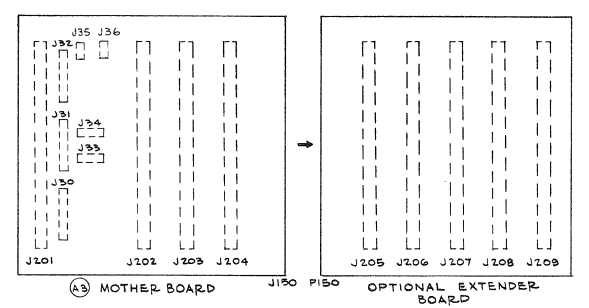
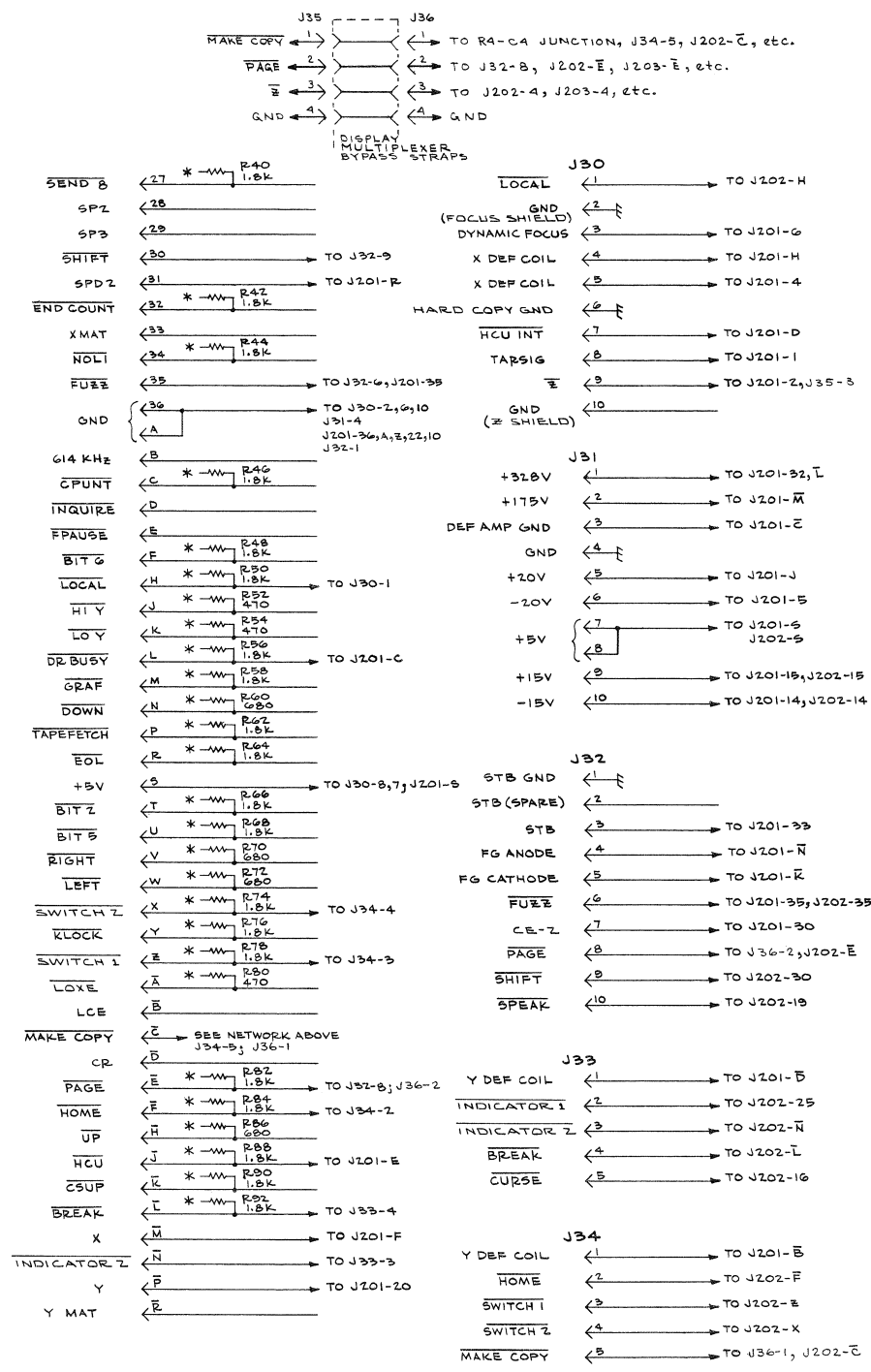
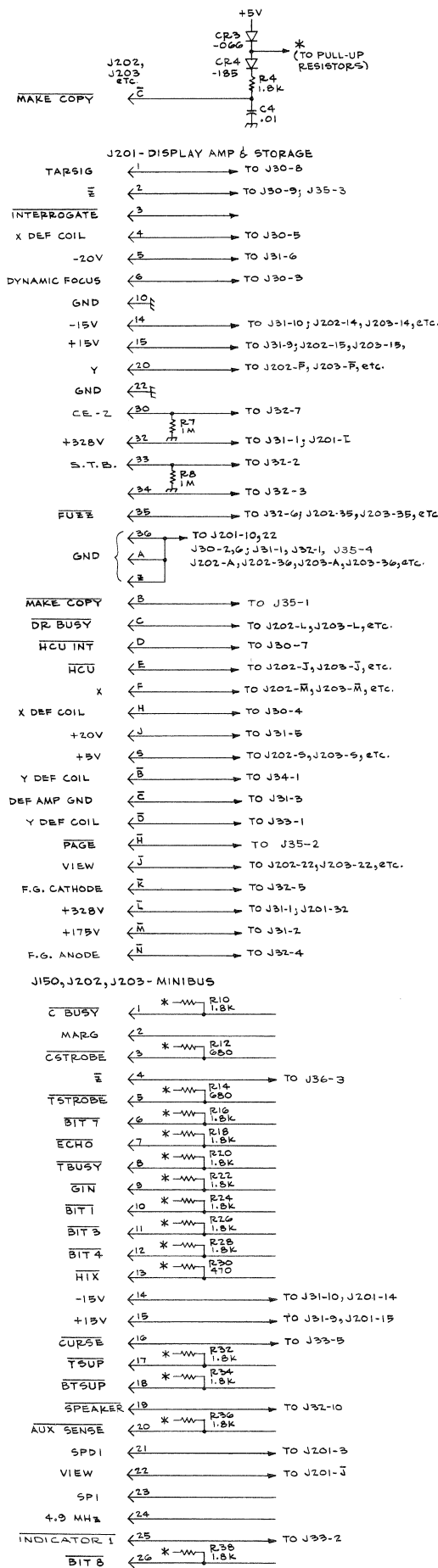
Hard Copy Operation Block Diagram.



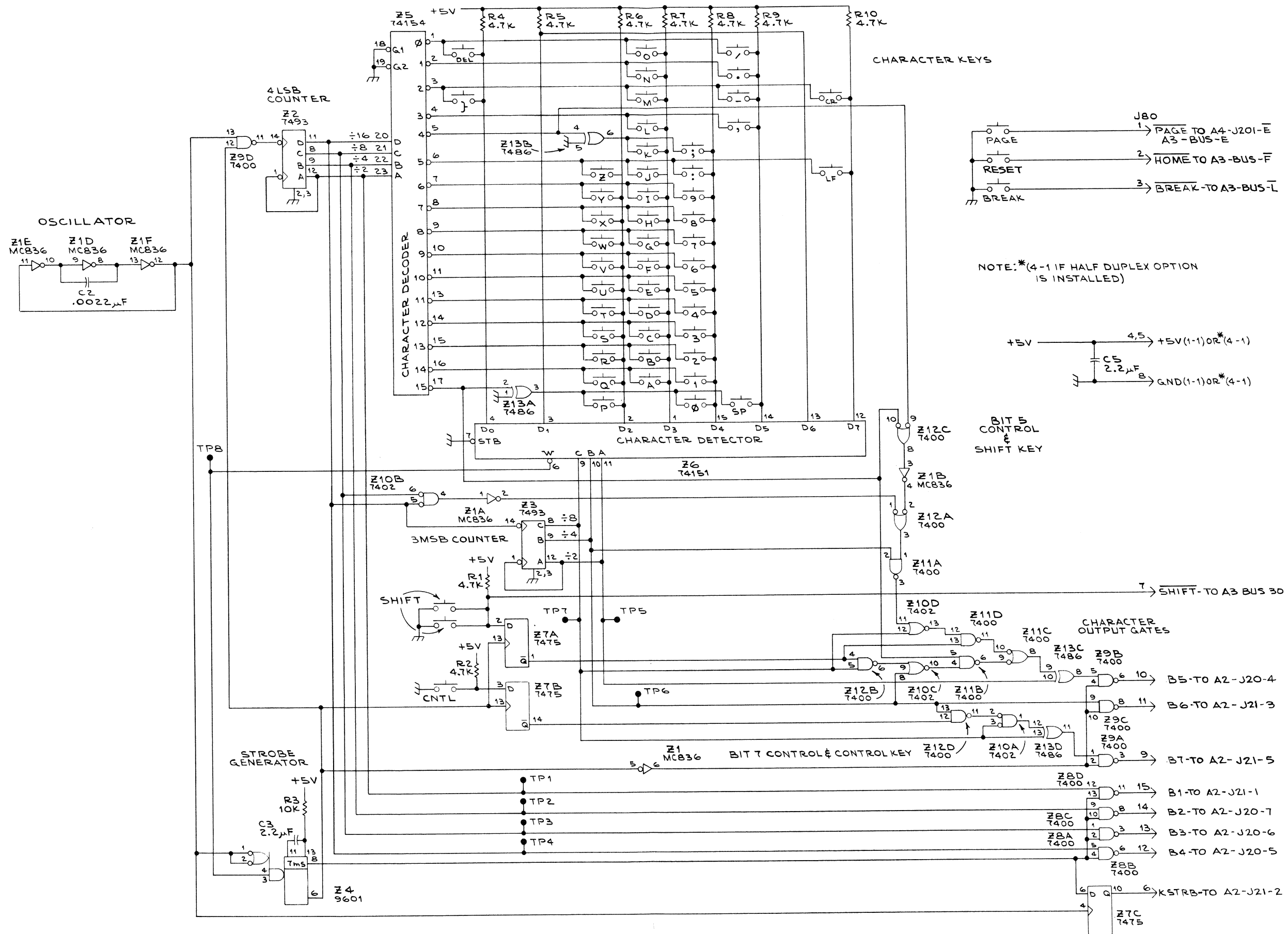


1183-51

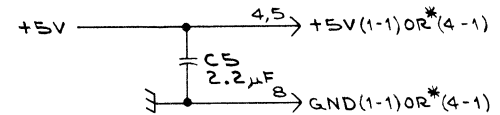




SEE PARTS LIST FOR EARLIER VALUES AND SERIAL NUMBER RANGES OF PARTS OUTLINED OR DEPICTED IN BLUE.



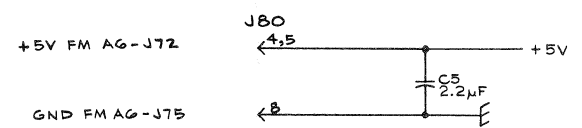
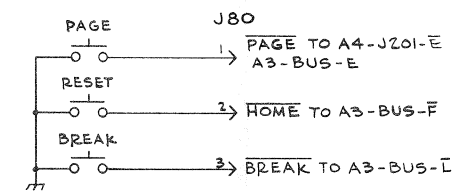
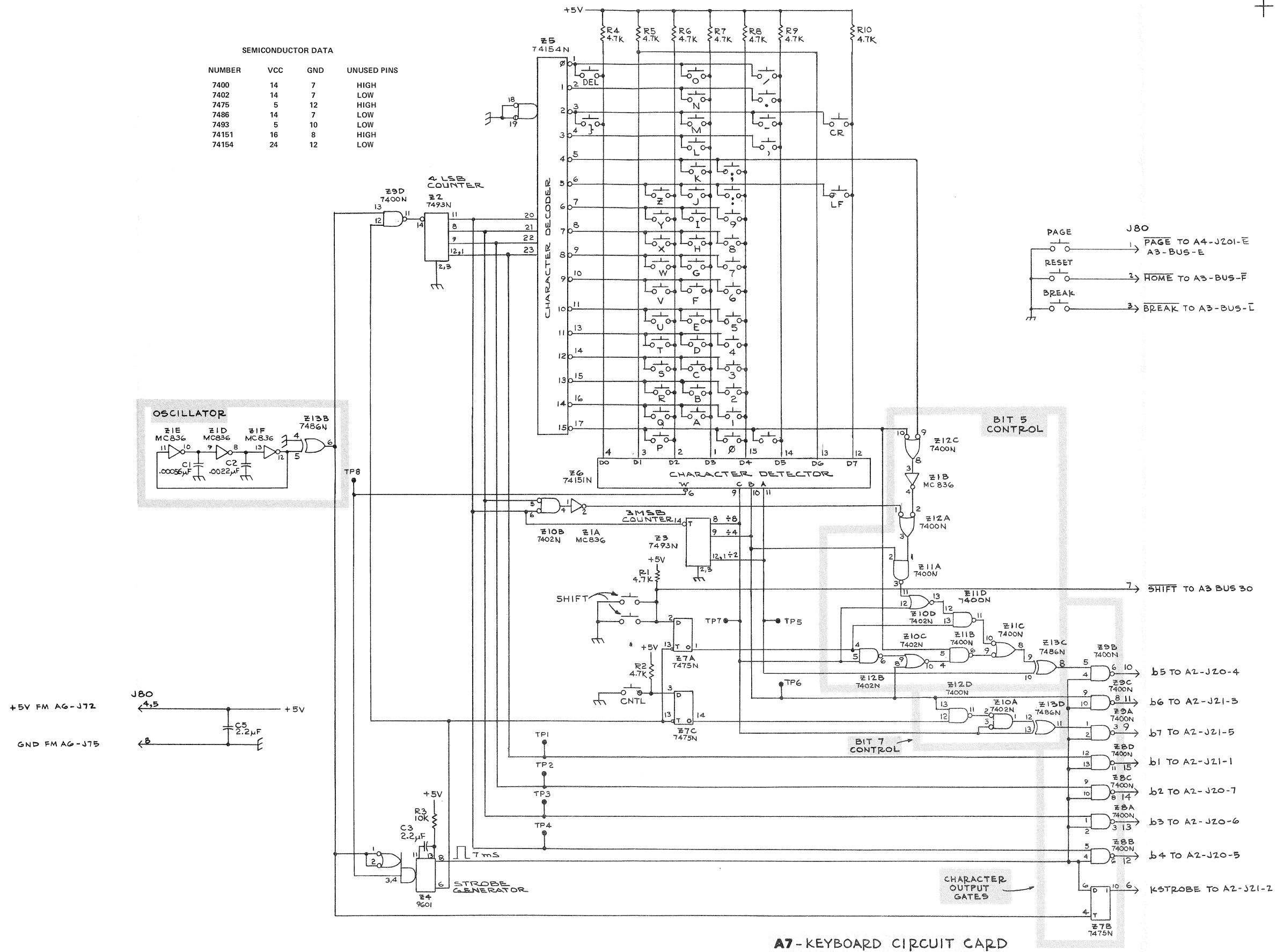
NOTE: *(4-1 IF HALF DUPLEX OPTION IS INSTALLED)



BIT 5 CONTROL & SHIFT KEY

SEMICONDUCTOR DATA

NUMBER	VCC	GND	UNUSED PINS
7400	14	7	HIGH
7402	14	7	LOW
7475	5	12	HIGH
7486	14	7	LOW
7493	5	10	LOW
74151	16	8	HIGH
74154	24	12	LOW



4010/4010-1

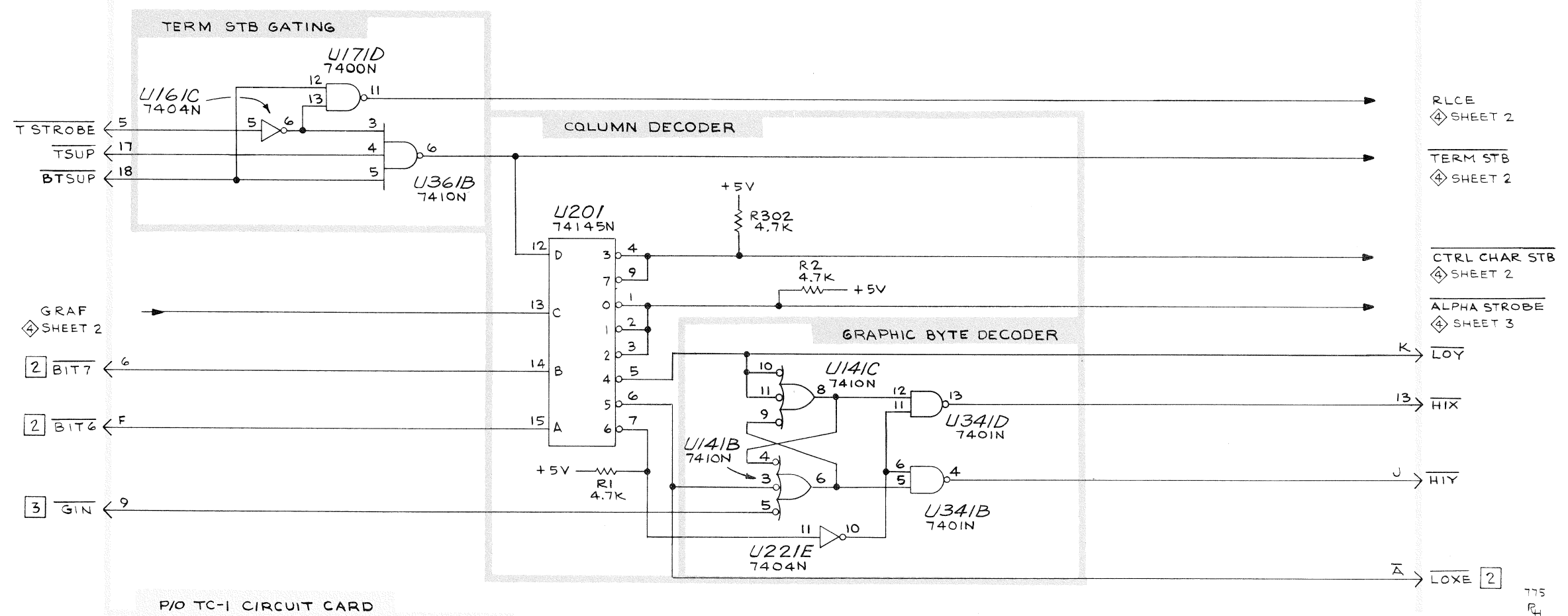
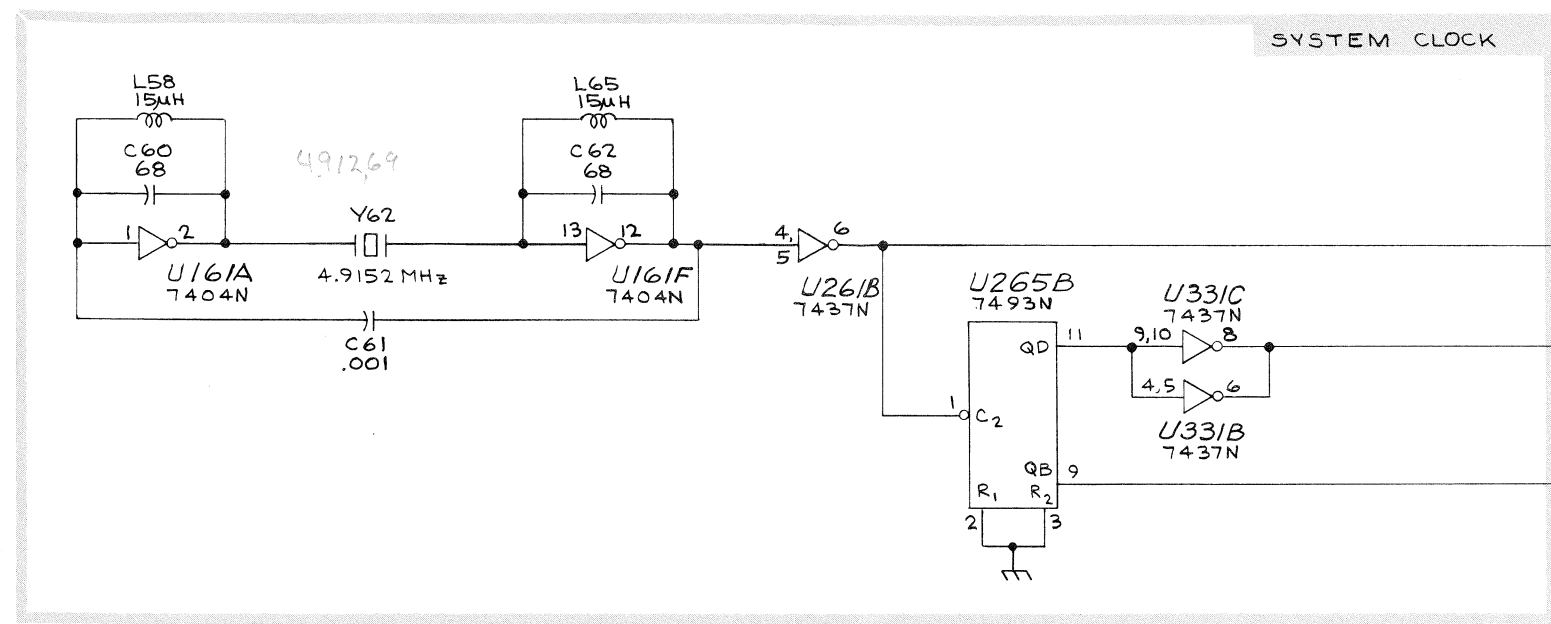
REV. B, APRIL 1976
1183-56

A7-KEYBOARD CIRCUIT CARD

AB 119-0304-00

KEYBOARD 3a

KEYBOARD
AB 119-0304-00



P/O TC-1 CIRCUIT CARD

4010/4010-1

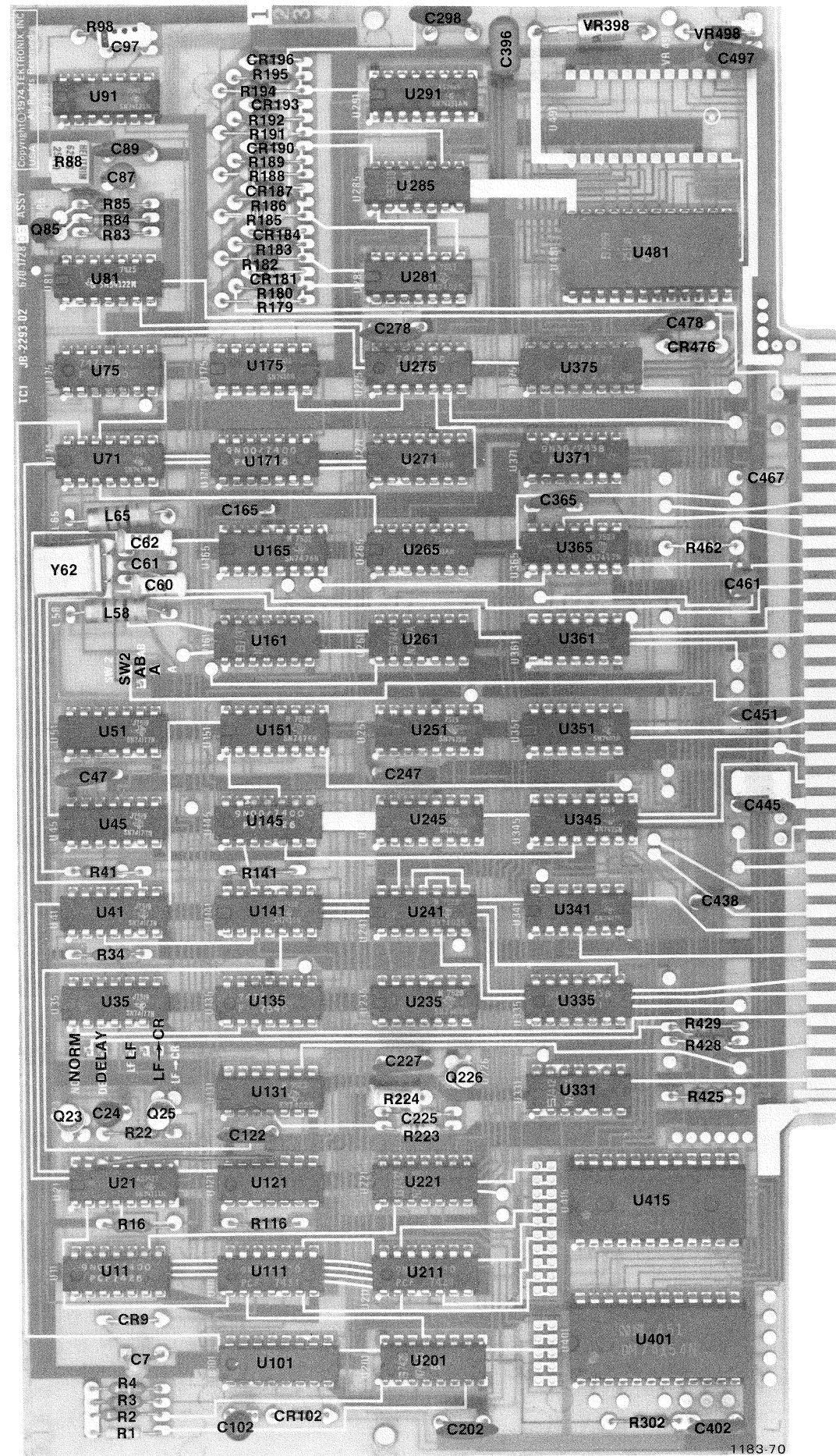
□ APPEARS MORE THAN ONCE

REV. A, APRIL 1976
(1461) 1183-44

A1 670-1728-05

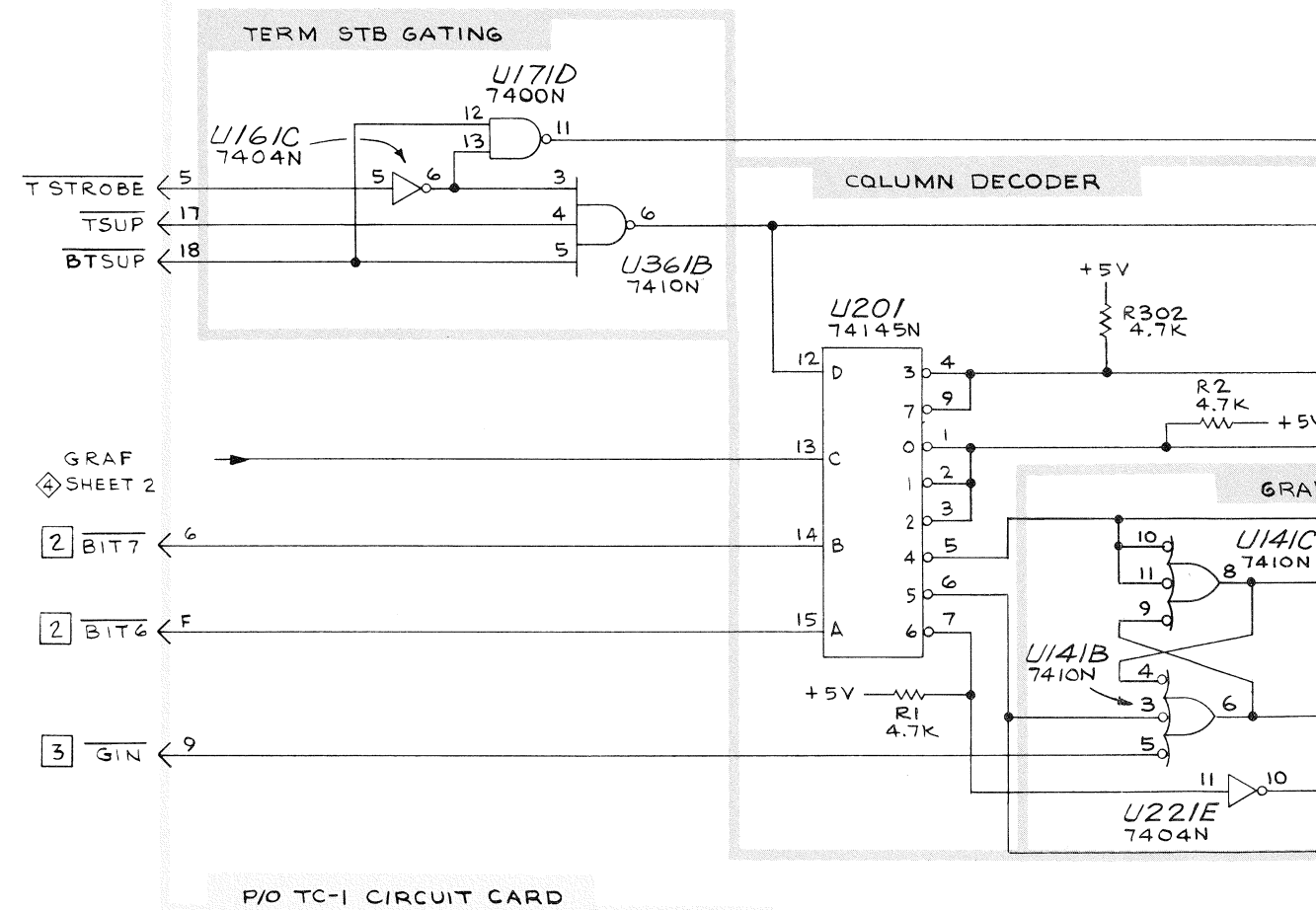
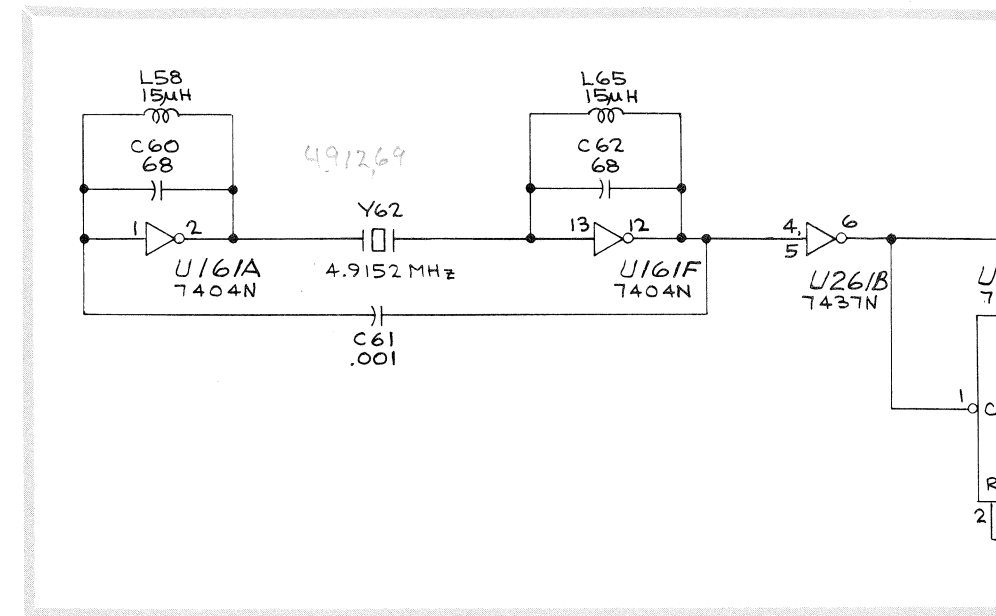
TC-1 4 SHEET 1 OF 3

775
R_L



1183-70

TC-1 Component Locations (670-1728-05).



4010/4010-1

□ APPEARS MORE THAN ONCE

REV. A, APRIL 1976
(1461)1183-44



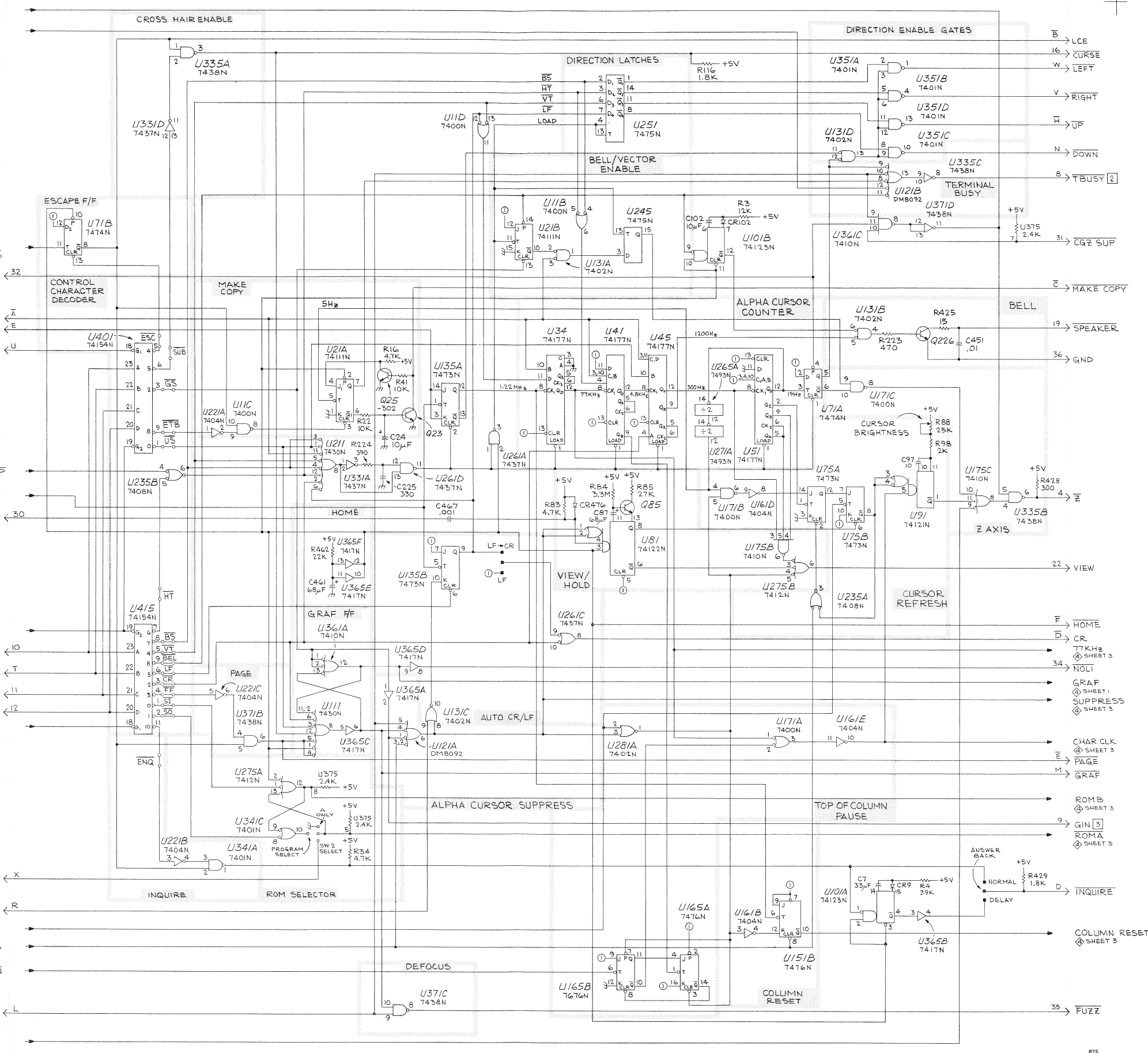
TOP ROW SUPPRESS SHEET 3
 CHAR IN PROG SHEET 3

ESCAPE F/F SHEET 1
 RLCE SHEET 1
 END COUNT 32
 LOXE SHEET 1
 F PAUSE SHEET 1
 BIT 5 SHEET 1

CHAR COMP SHEET 3
 2.45MHZ SHEET 1
 SHIFT 30

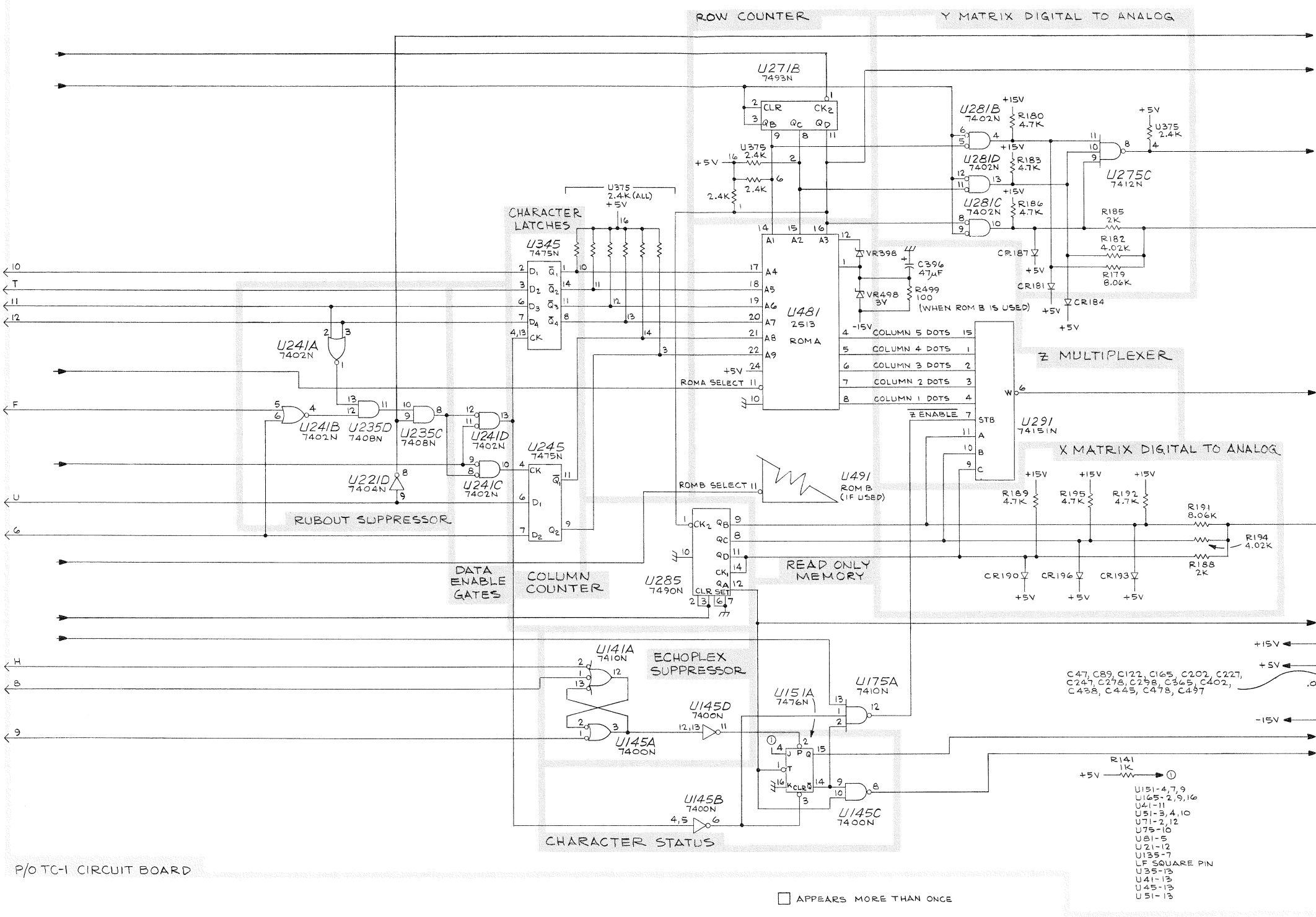
CTRL CHAR STROBE SHEET 3
 BIT 1 SHEET 3
 BIT 2 SHEET 3
 BIT 3 SHEET 3
 BIT 4 SHEET 3
 BIT 5 SHEET 3

ENQ
 SWITCH 2 X
 EOL R
 CARRY SHEET 3
 TERM STB SHEET 1
 TOP OF COLUMN SHEET 3
 DRBUSY L
 CHAR DOT SHEET 3



CHAR CLK SHEET 2
 SUPPRESS SHEET 2
 ROM A SHEET 2
 BIT 6 F
 ALPHA STROBE SHEET 1
 BIT 5 U
 BIT 7 G
 ROM B SHEET 2
 COLUMN RESET SHEET 2
 77 KHZ SHEET 2
 LOCAL H
 T BUSY B
 GIN 9

BIT 5 SHEET 2
 TOP OF COLUMN SHEET 2
 TOP ROW SUPPRESS SHEET 2
 YMAT R
 CHAR DOT SHEET 2
 XMAT 33
 CARRY SHEET 2
 +15V 15
 +5V 5
 GROUND
 -15V 14
 CHAR IN PROG SHEET 2
 CHAR COMP SHEET 2



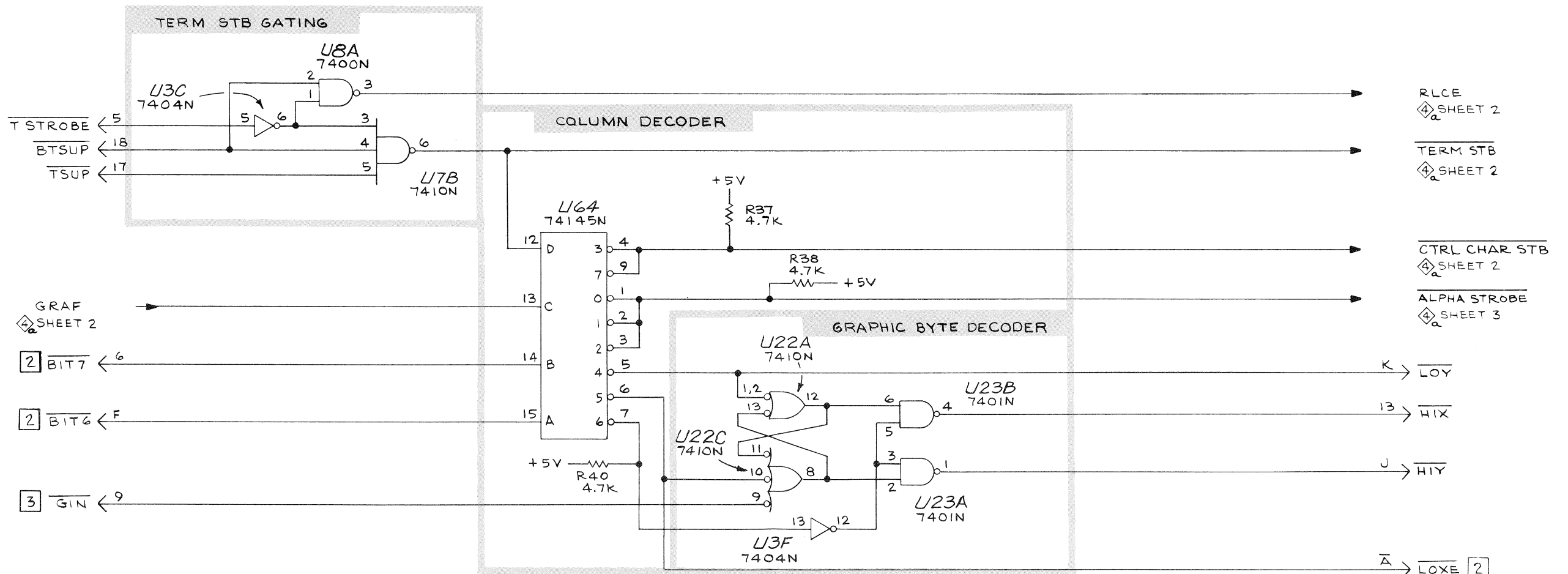
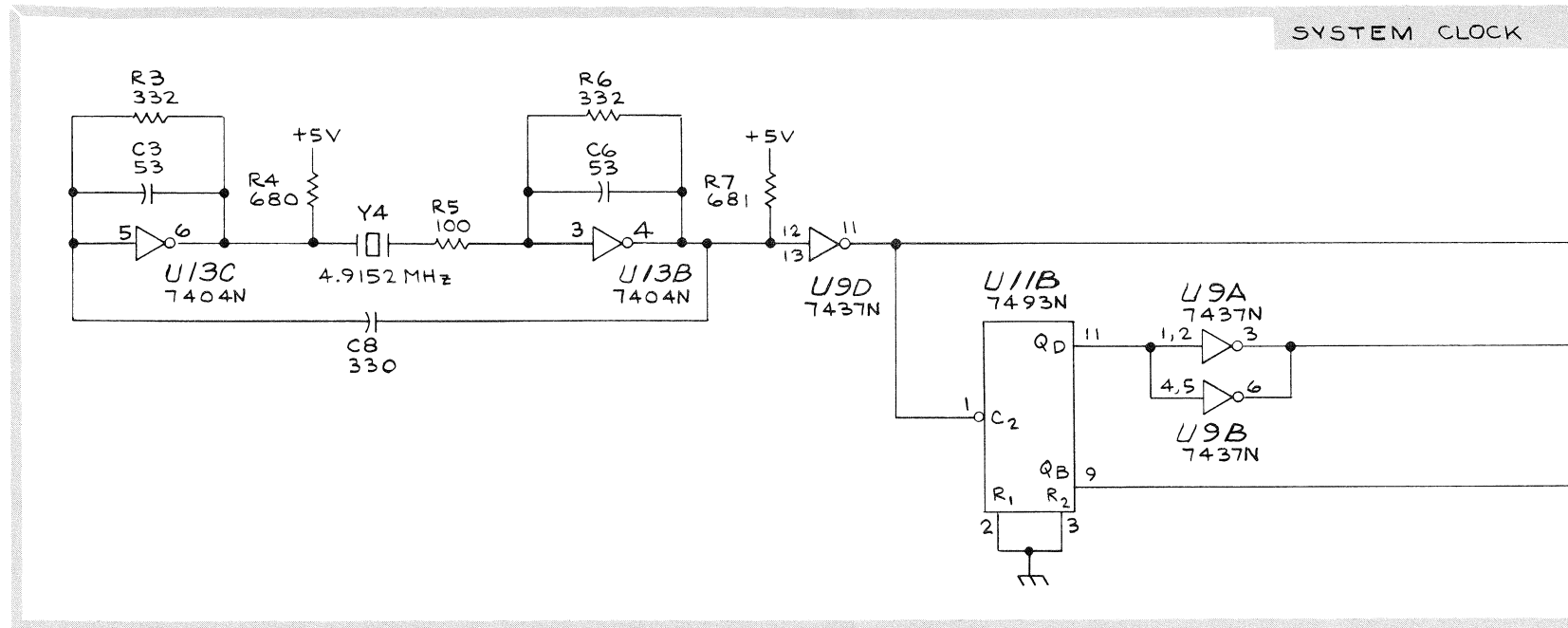
P/O TC-1 CIRCUIT BOARD

4010/4010-1

REV. A, APRIL 1974
 1183-69

AI 670-1728-05 TC-1 SHEET 3 OF 3 476 R/L

SHEET 3 OF 3 TC-1
 AI 670-1728-05



P/O TC-1 CIRCUIT CARD

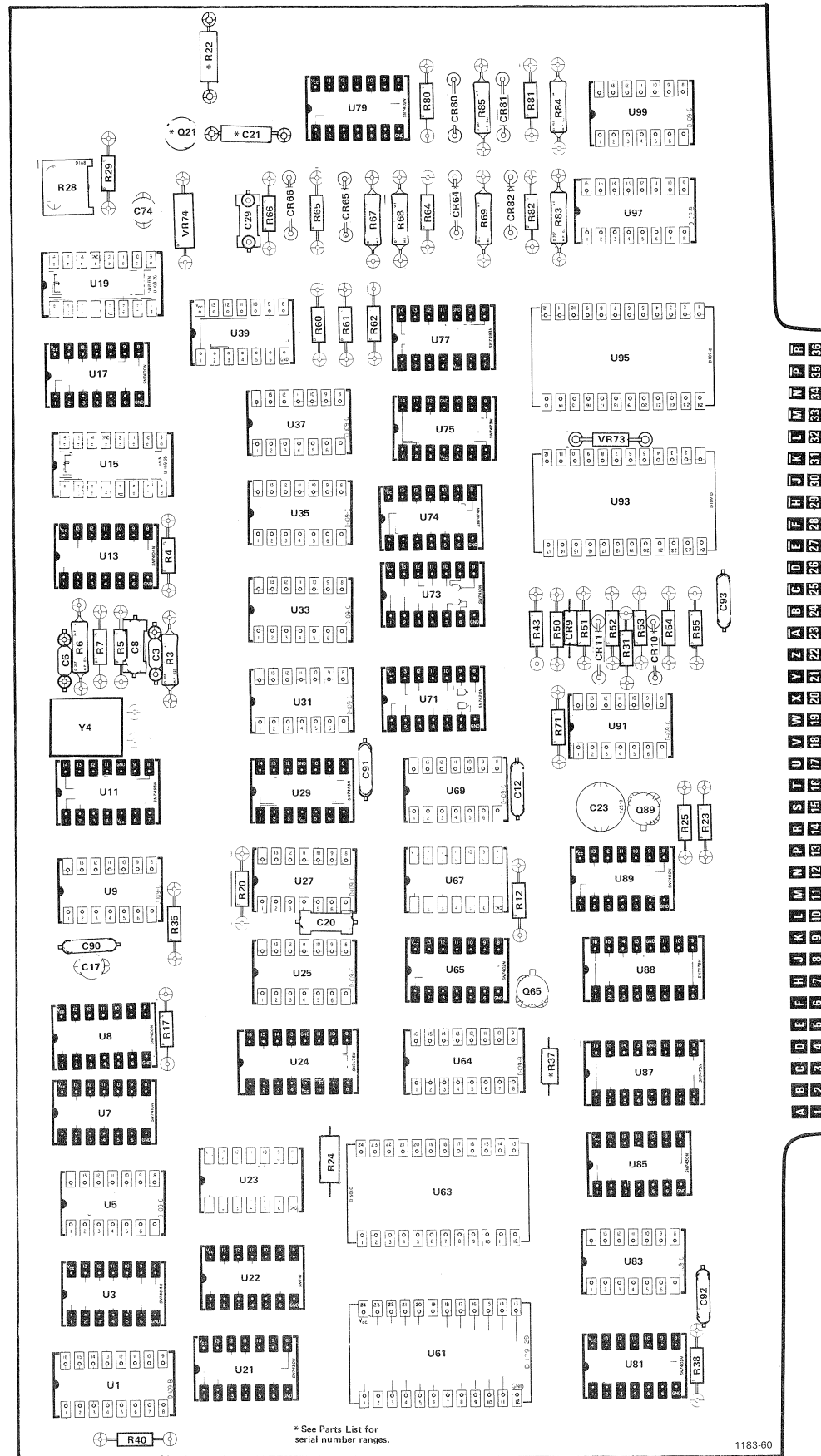
□ APPEARS MORE THAN ONCE

REV. F, APRIL 1976
(1461)1183-38

4010/4010-1

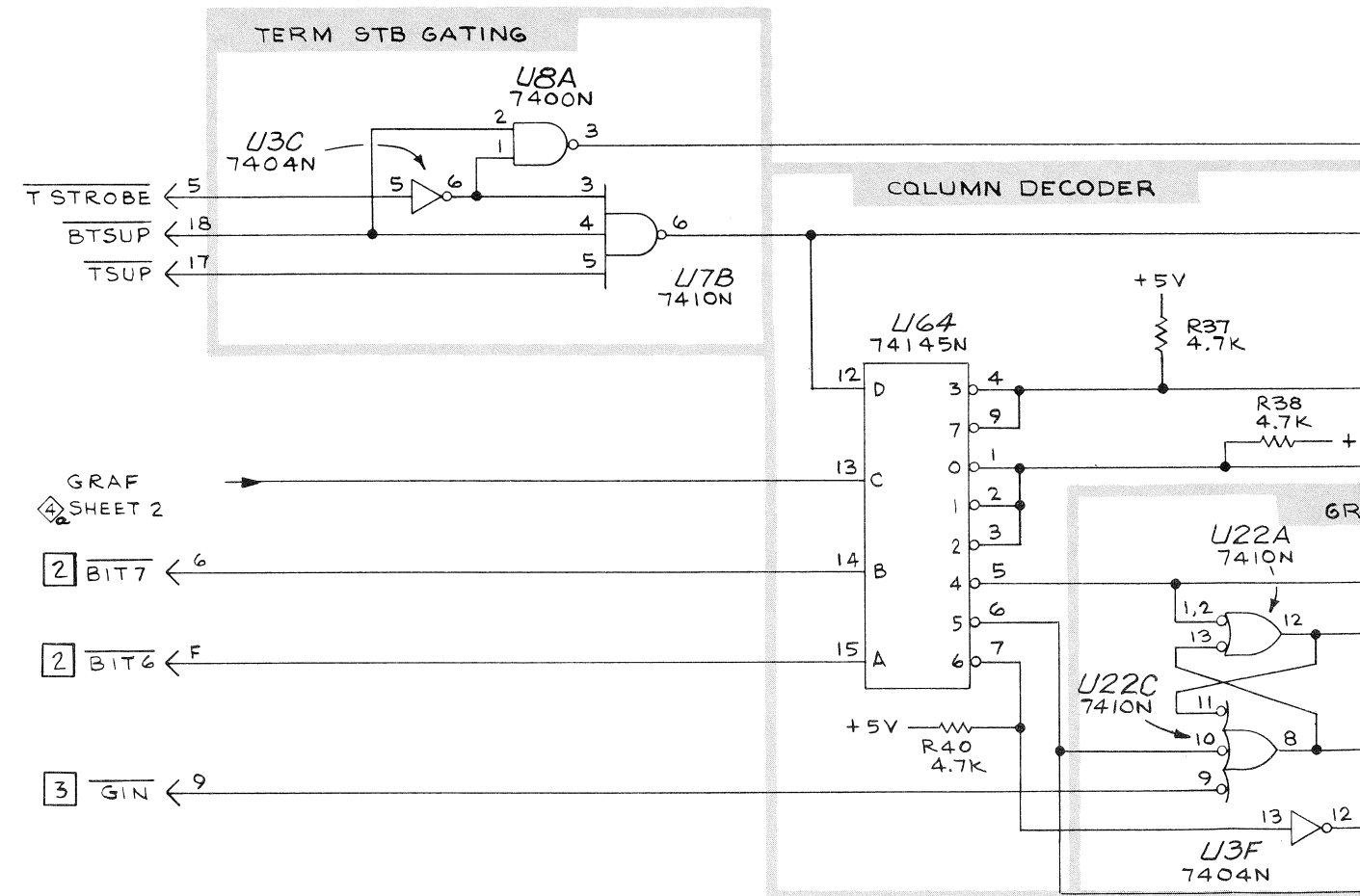
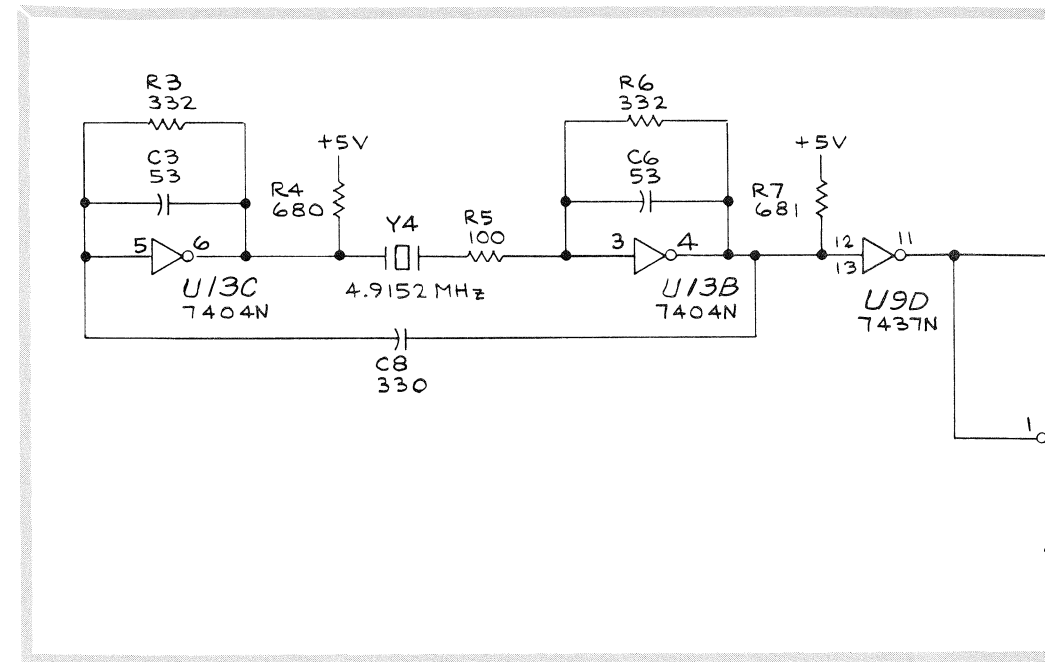
AI 670-1728-02,03

TC-1 4 SHEET 1 OF 3



TC-1 Component Locations (670-1728-02,03).

+

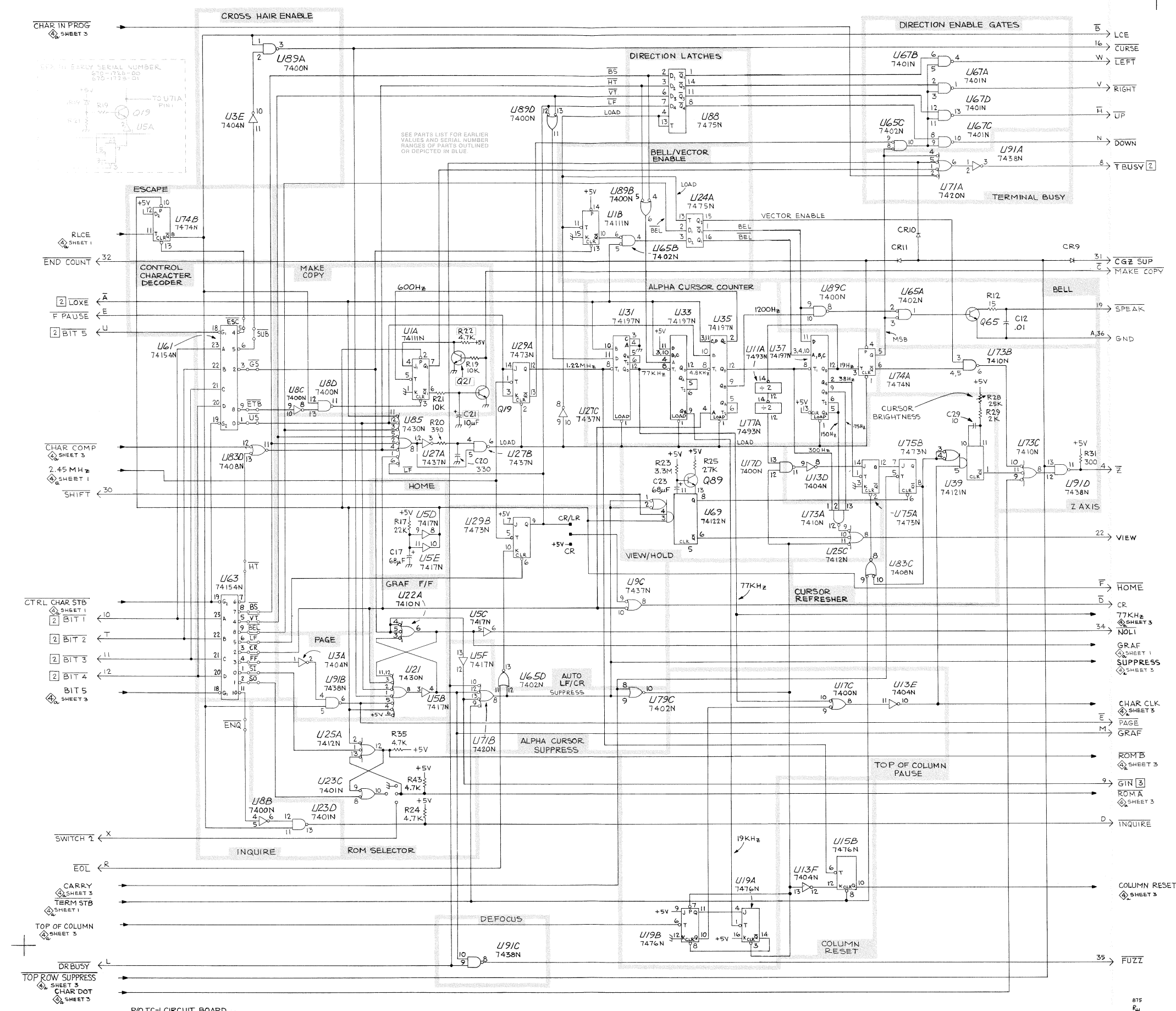


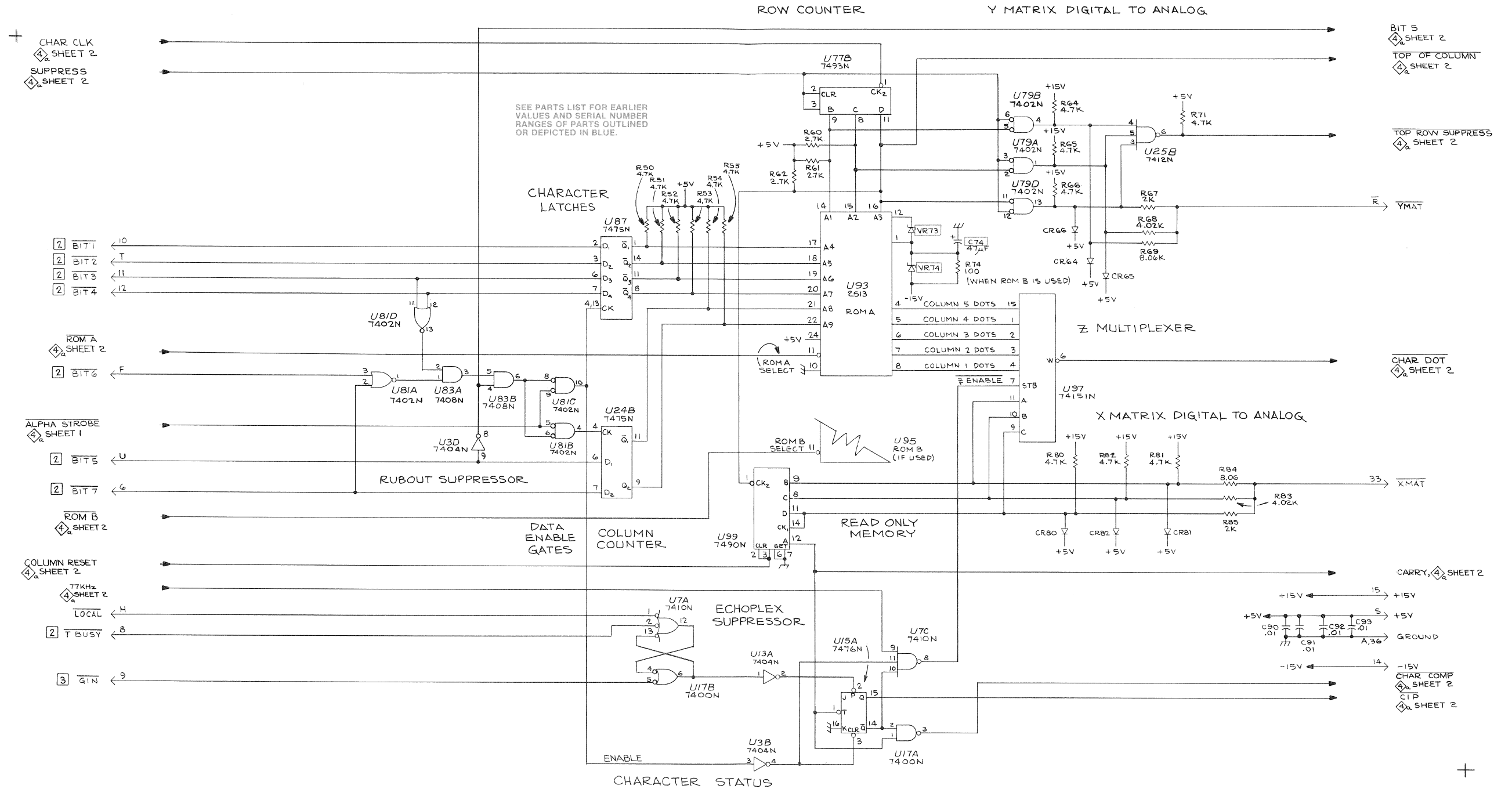
P/O TC-1 CIRCUIT CARD

☐ APPEARS MORE THAN ONCE

4010/4010-1

REV.F, APRIL 1976
(1461)1183-38





CHAR CLK
SHEET 2
SUPPRESS
SHEET 2

BIT 1
BIT 2
BIT 3
BIT 4

ROM A
SHEET 2

BIT 6

ALPHA STROBE
SHEET 1

BIT 5
BIT 7

ROM B
SHEET 2

COLUMN RESET
SHEET 2

77KHz
SHEET 2

LOCAL

F BUSY

G IN

BIT 5
SHEET 2
TOP OF COLUMN
SHEET 2

TOP ROW SUPPRESS
SHEET 2

CHAR DOT
SHEET 2

CARRY
SHEET 2

+15V
+5V
GROUND
-15V

CHAR COMP
SHEET 2
CTP
SHEET 2

P/O TC-1 CIRCUIT BOARD

APPEARS MORE THAN ONCE

4010/4010-1

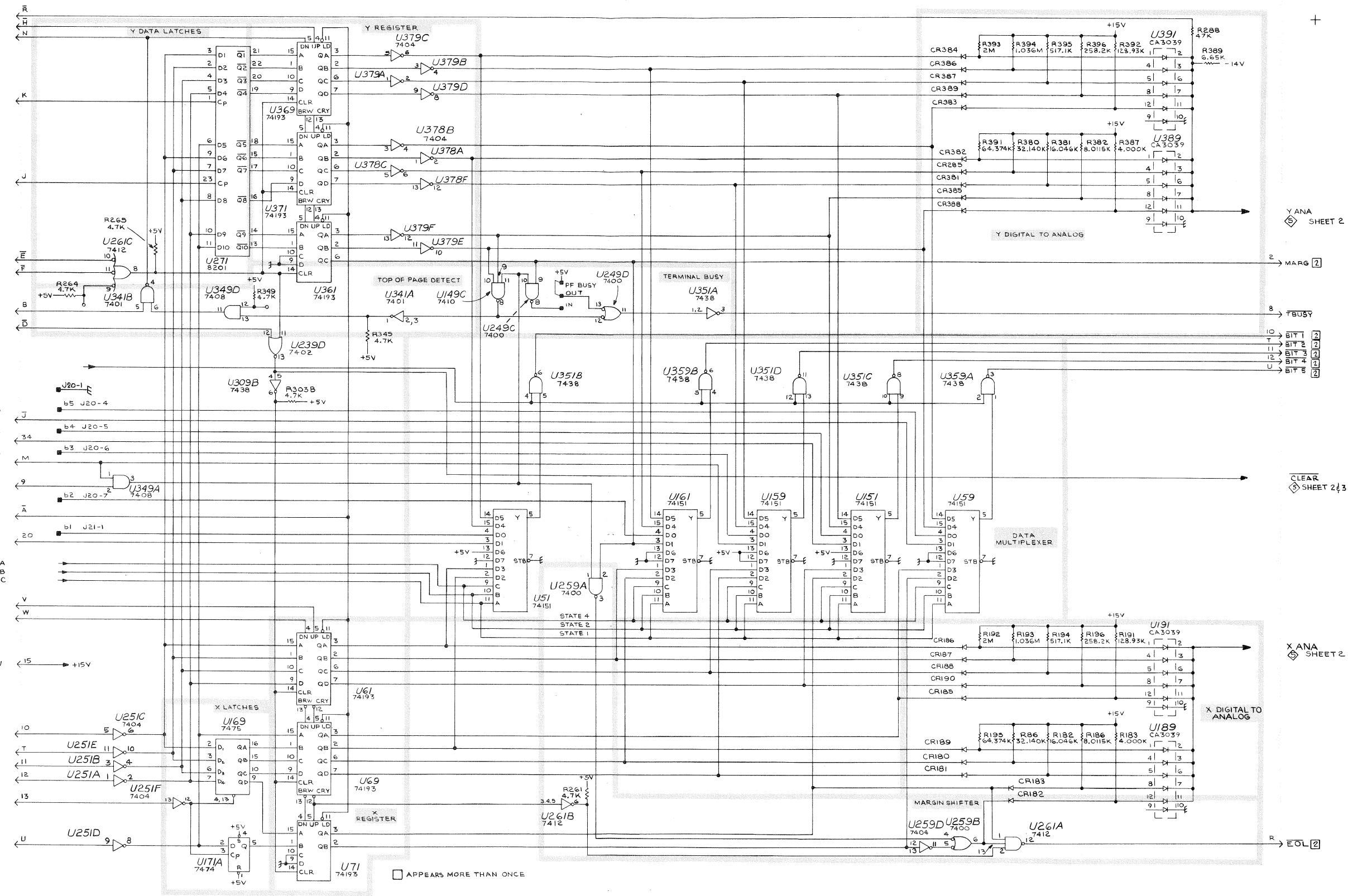
REV. F, APRIL 1976
1183-72

A1 670-1728-02,03 TC-1 SHEET 3 OF 3 476 RL

SHEET 3 OF 3 TC-1
A1 670-1728-02,03

4a

YMAT
UP
DOWN
LO Y
HI Y
PAGE
HOME
614 KHZ
CR (H)
DATA STROBE
SHEET 3
FM AB J80-B
FM AB J80-10
HCU
FM AB J80-12
NOLTI
FM AB J80-13
GRAF
FM AB J80-14
LOXE
FM AB J80-15
AUX SENSE
SHEET 3
MUX A
MUX B
MUX C
RIGHT
LEFT
+15V
BIT 1
BIT 2
BIT 3
BIT 4
HTX
BIT 5



P/O A2 TC-2 CARD
4010/4010-1

REV. D, APRIL 1976
(1461)1183-87

A2 670-1729-05-10 & 12 TC-2 SHEET 1 OF 3

SHEET 1 OF 3 TC-2
A2 670-1729-05-10 & 12

5

Parts List for
number ranges.

APPEARS MORE THAN ONCE

Y ANA SHEET 2

MARG 2

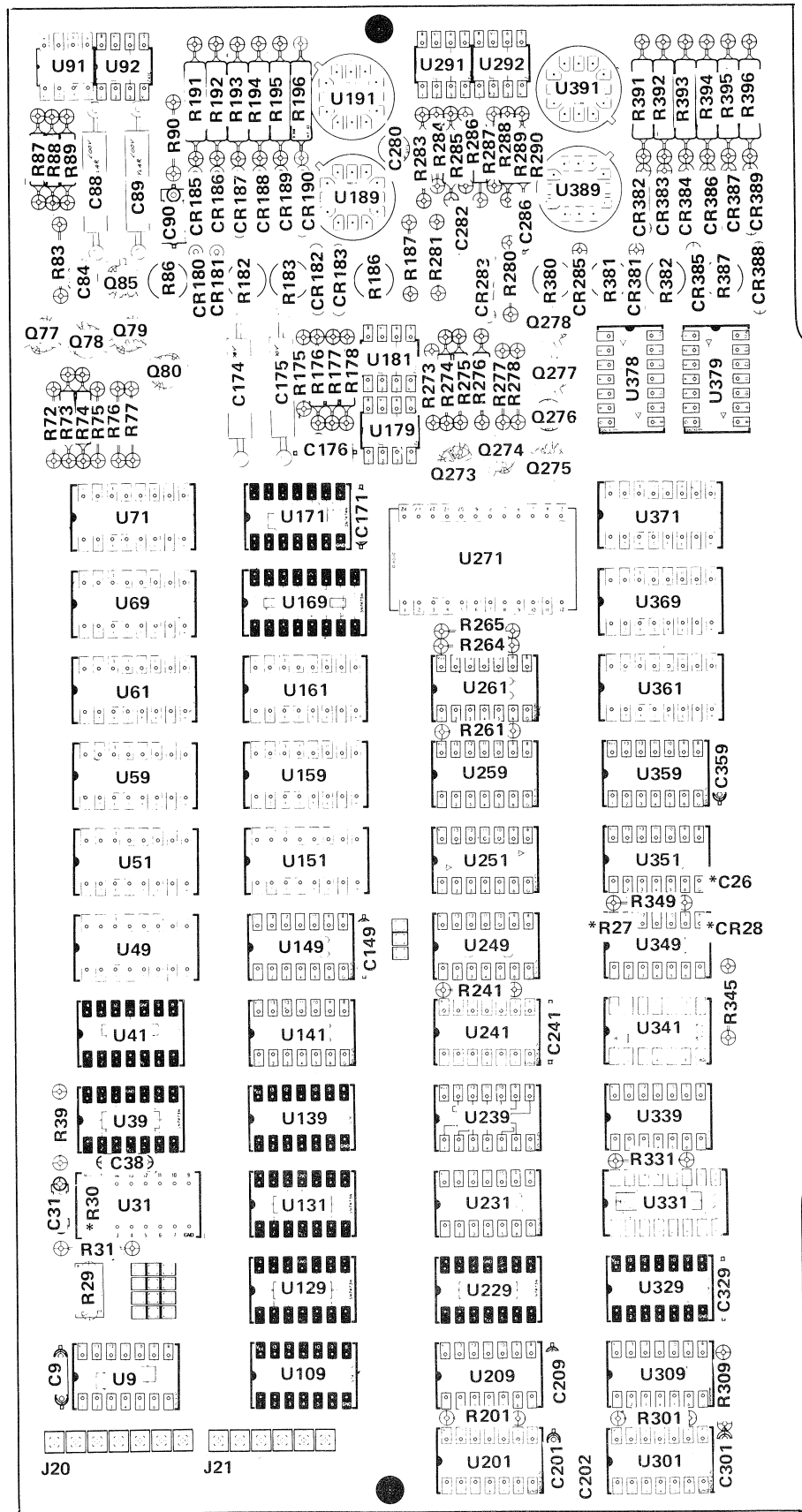
F BUSY
BIT 1
BIT 2
BIT 3
BIT 4
BIT 5

CLEAR SHEET 2 & 3

X ANA SHEET 2

X DIGITAL TO ANALOG

EOL 2

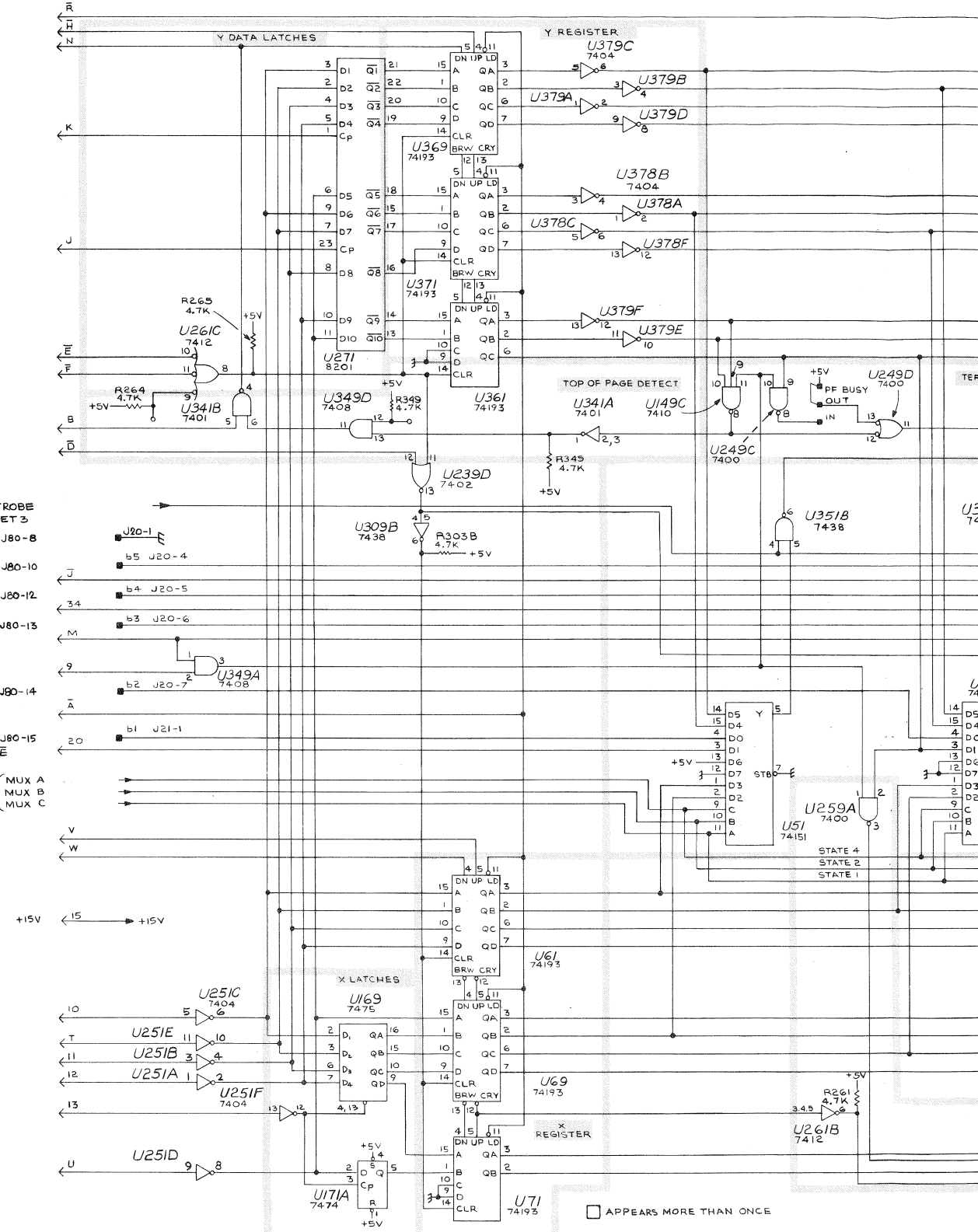
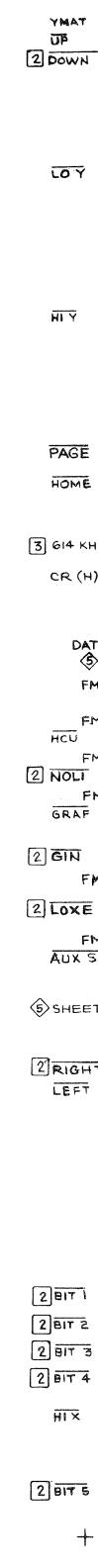


(1461)1183-74

TC-2 Component Locations (670-1729-05—10 & 12).



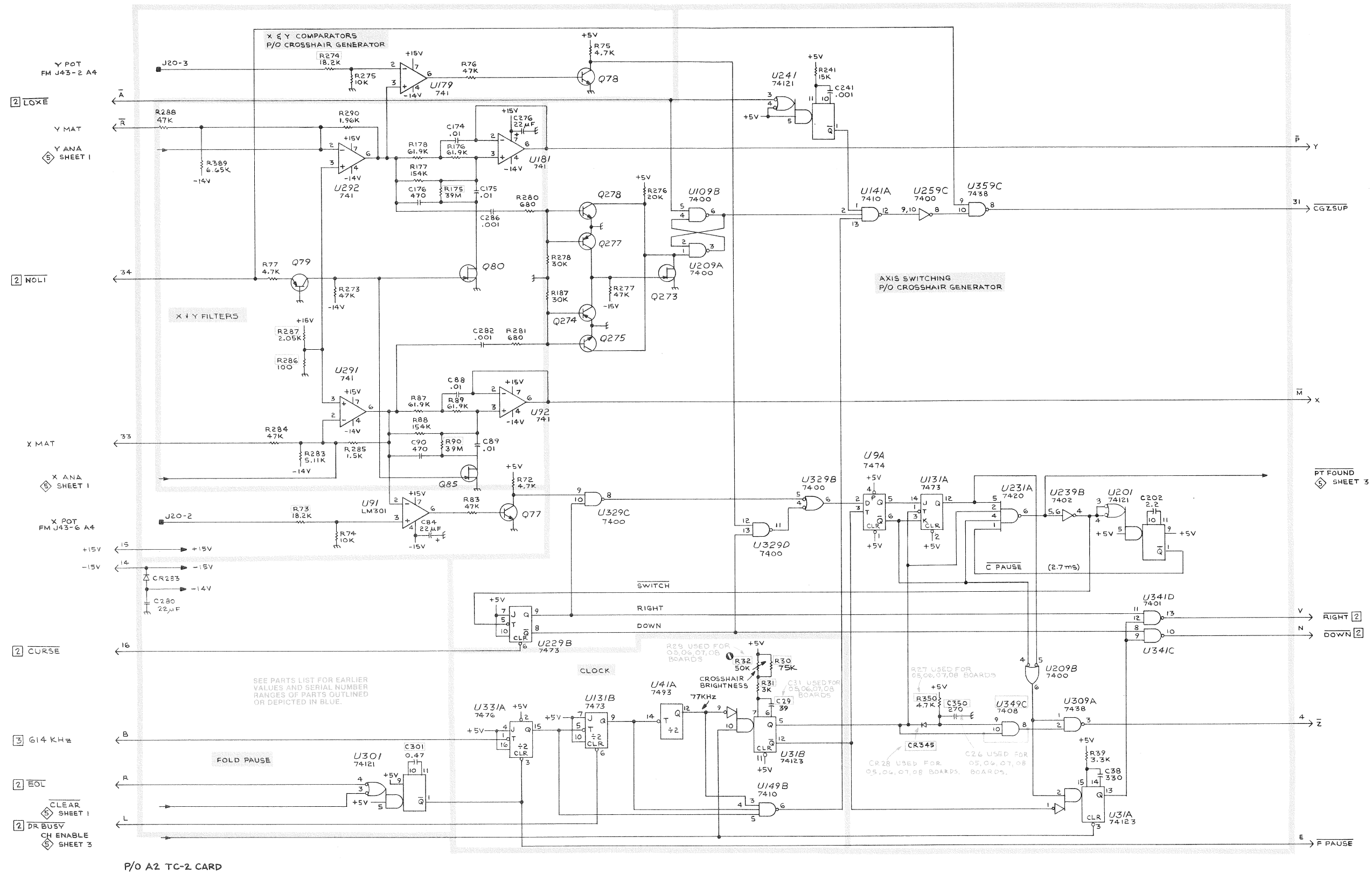
*See Parts List for serial number ranges.



P/O A2 TC-2 CARD

4010/4010-1

REV. D, A (1461)1183



P/O A2 TC-2 CARD

□ APPEARS MORE THAN ONCE

4010/4010-1

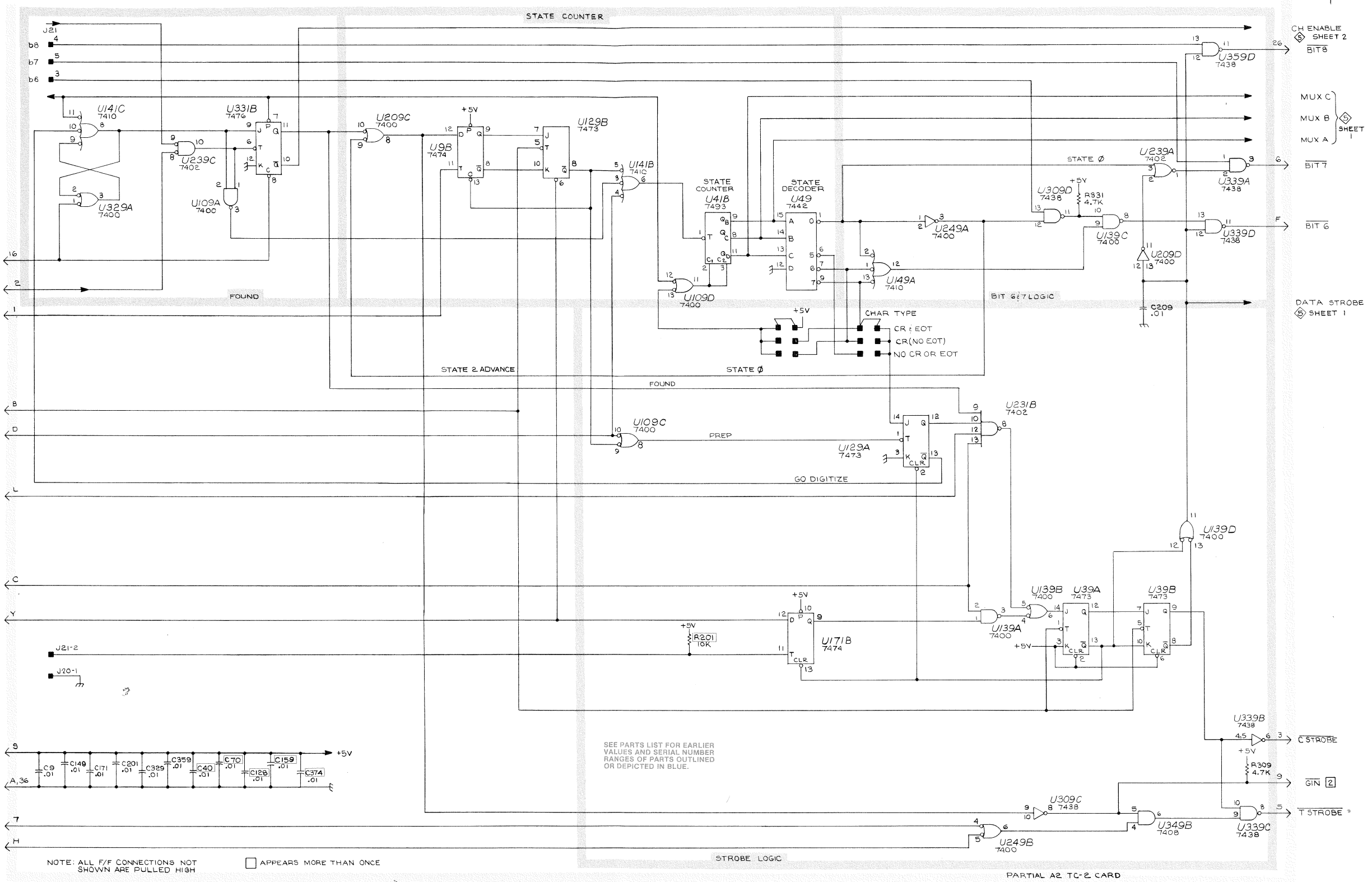
REV. D, APRIL 1976
(1461) 1183-80

A2 670-1729-05-10 12 TC-2 SHEET 2 OF 3

SHEET 2 OF 3 TC-2
A2 670-1729-05-10 & 12

5

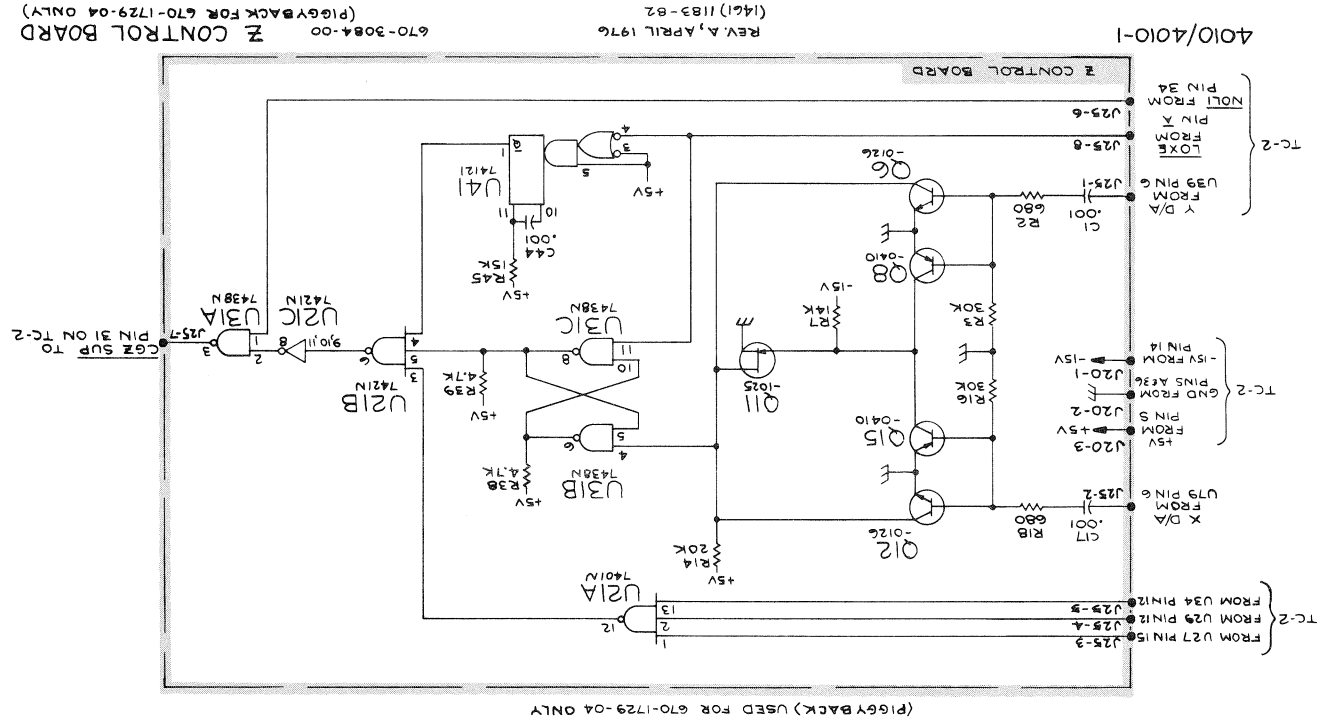
PT FOUND SHEET 2
 FM A8 J80-5
 FM A8 J80-9
 FM A8 J80-11
 CLEAR SHEET 2
 CURSE
 MARG
 C BUSY
 INQUIRE
 DR BUSY
 CPUNT
 KLOCK
 K STROBE
 FM A8 J80-6
 FM A7 J80-8
 +5V
 GND
 ECHO
 LOCAL



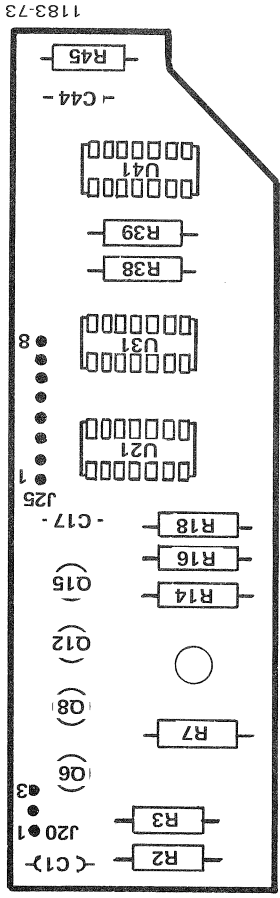
4010/4010-1

REV.D, APRIL 1976
(146) 1183-81

A2 670-1729-05-10 & 12 TC-2 5 SHEET 3 OF 3

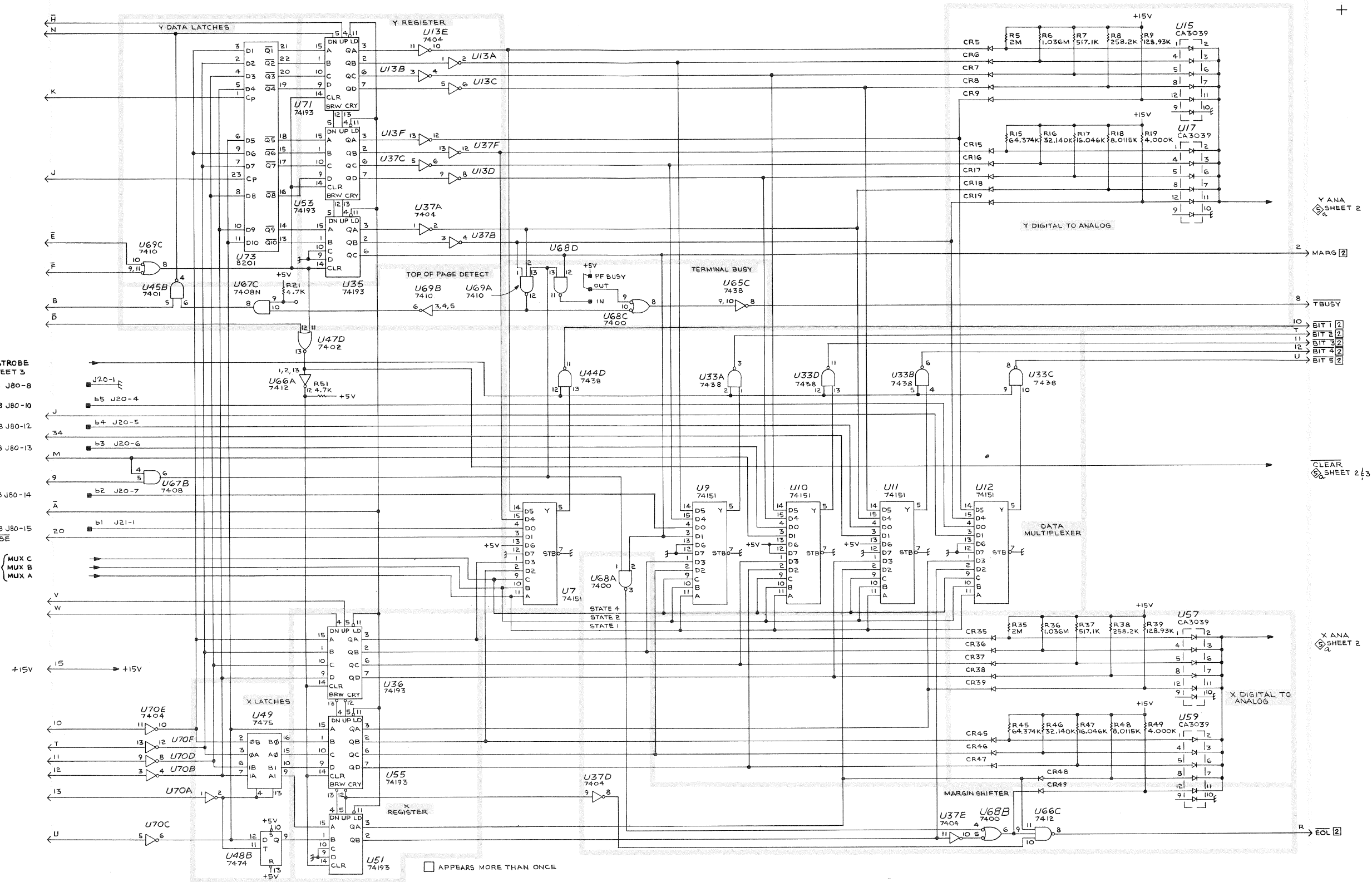


REV. A, APRIL 1976 (1421) 1183-82
670-3084-00 Z CONTROL BOARD (PIGGYBACK FOR 670-1729-04 ONLY)



Z Control Component Locations (670-3084-00),
1183-73

UP
DOWN
LO Y
HI Y
PAGE
HOME
614 KHZ
CR (H)
DATA STROBE
FM A8 J80-8
FM A8 J80-10
HCU
FM A8 J80-12
NOLI
FM A8 J80-13
GRAF
GIN
FM A8 J80-14
LOXE
FM A8 J80-15
AUX SENSE
MUX C
MUX B
MUX A
RIGHT
LEFT
+15V
BIT 1
BIT 2
BIT 3
BIT 4
HI X
BIT 5



Y ANA
SHEET 2
MARG 2
T BUSY
BIT 1
BIT 2
BIT 3
BIT 4
BIT 5
CLEAR
SHEET 2
X ANA
SHEET 2
X DIGITAL TO ANALOG
EOL 2

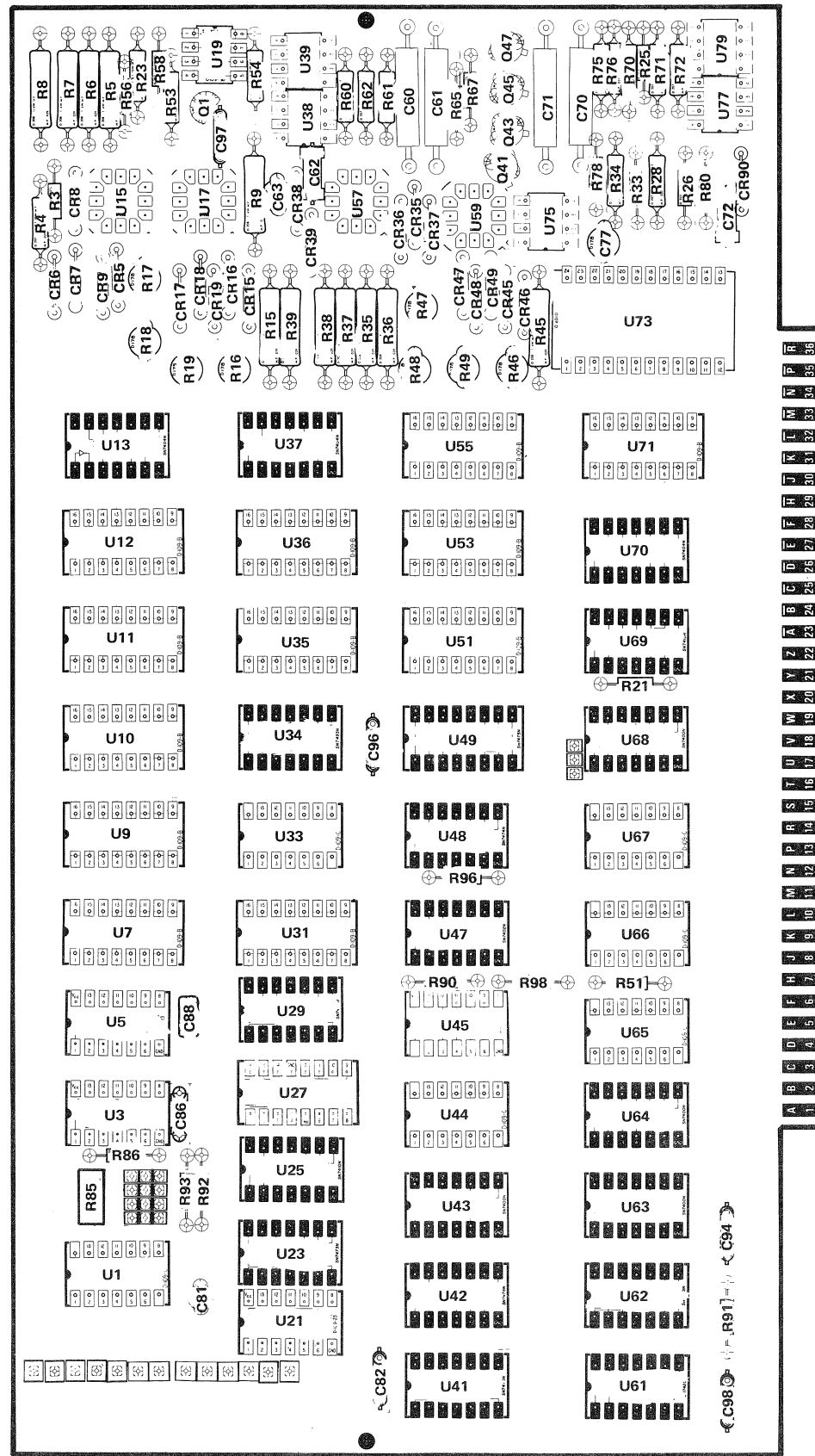
PARTIAL A2 TC-2 CARD

4010/4010-1

REV. E, APRIL 1976
(1461) 1183-83

A2 670-1729-04 1/2 BELOW TC-2 5a SHEET 1 OF 3

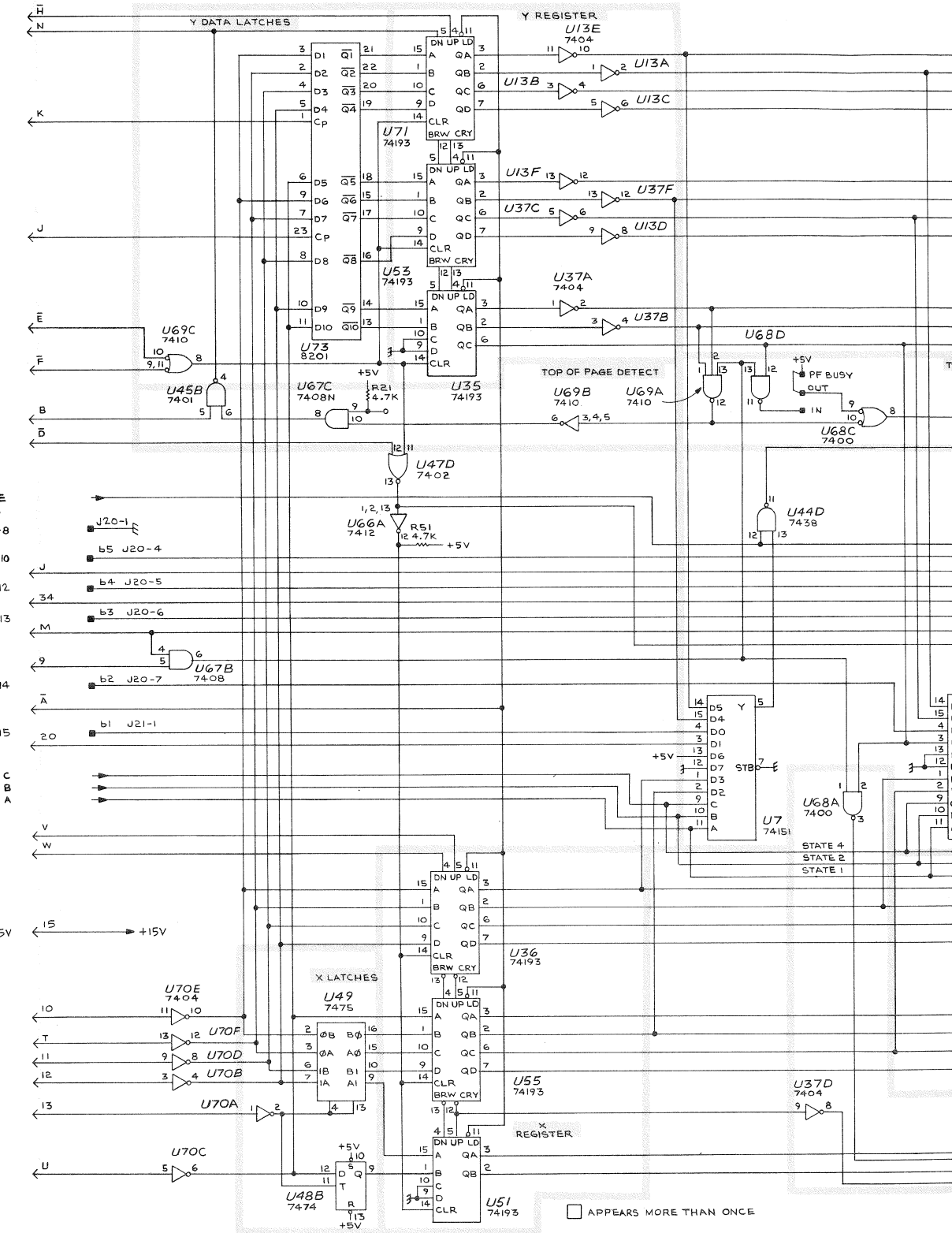
SHEET 1 OF 3 TC-2
A2 670-1729-04 & BELOW 5a



TC-2 Component Locations (670-1729-04 and below).

(1461)1183-76

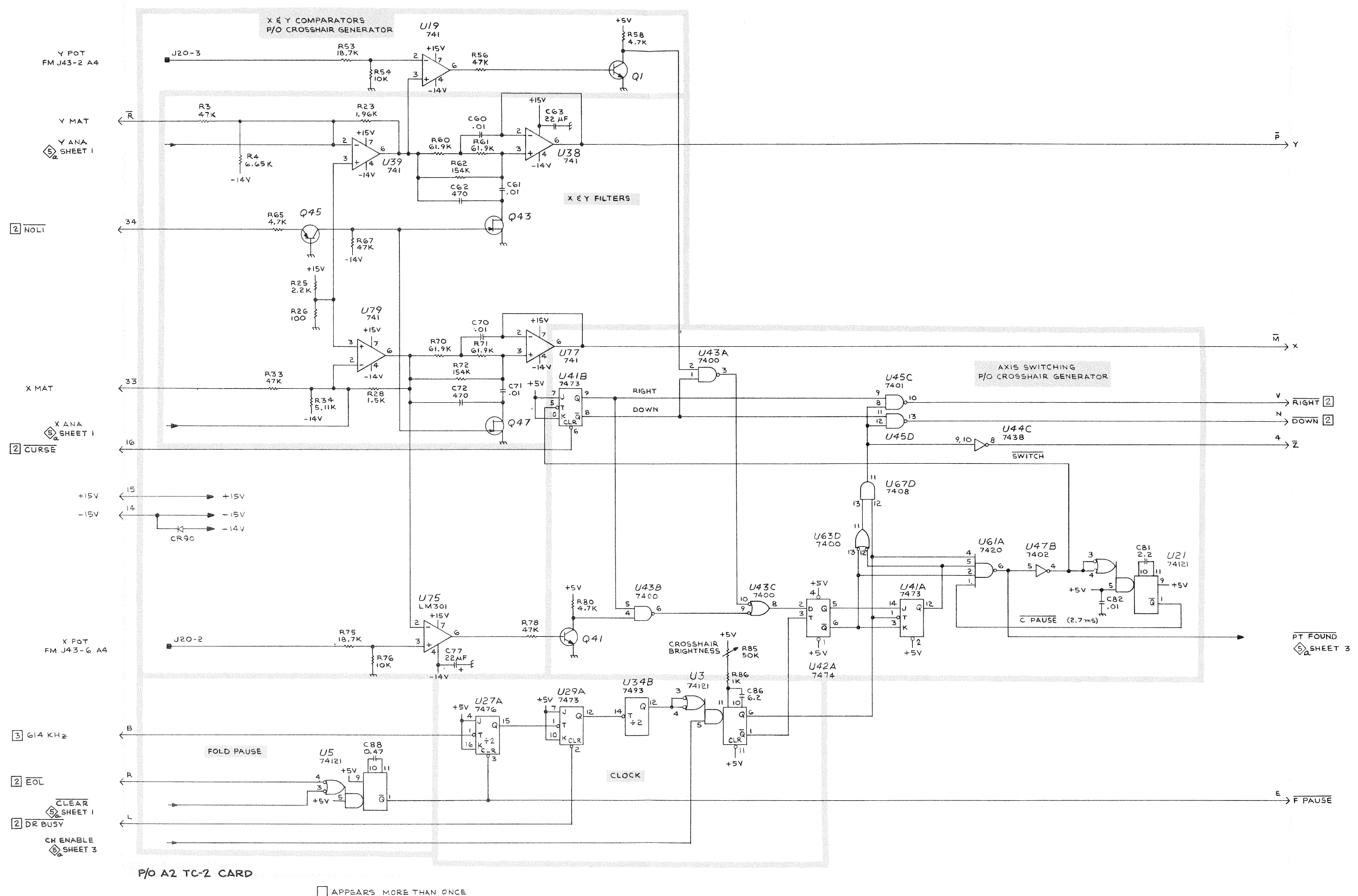
- UP
- DOWN
- LO Y
- HI Y
- PAGE
- HOME
- 614 KHZ
- CR (H)
- DATA STROBE
- SHEET 3
- FM A8 J80-8
- HCU
- FM A8 J80-10
- NOLI
- FM A8 J80-12
- GRAF
- FM A8 J80-13
- GIN
- FM A8 J80-14
- LOXE
- FM A8 J80-15
- AUX SENSE
- SHEET 3
- MUX C
- MUX B
- MUX A
- RIGHT
- LEFT
- +15V
- BIT 1
- BIT 2
- BIT 3
- BIT 4
- HI X
- BIT 5



PARTIAL A2 TC-2 CARD

4010/4010-1

REV. E (1461)



Y POT
FM J43-2 A4

Y MAT
Y ANA SHEET 1

2 NOLI

X MAT
X ANA SHEET 1
2 CURSE

+15V
-15V
CR90

X POT
FM J43-6 A4

3 614 KHz

2 EOL

CLEAR SHEET 1
2 DR BUSY
CH ENABLE SHEET 3

P/O A2 TC-2 CARD

□ APPEARS MORE THAN ONCE

+ 4010/4010-1

REV. E, APRIL 1976
(14-61)1183-84

A2 670-1729-04 & BELOW TC-2 5a SHEET 2 OF 3

SHEET 2 OF 3 TC-2
A2 670-1729-04 & BELOW 5a

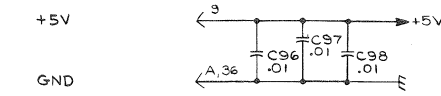
BT FOUND
 SHEET 2
 FM A8 J80-5
 FM A8 J80-9
 FM A8 J80-11
 CLEAR
 SHEET 1

2 CURSE
 2 MARG
 C BUSY

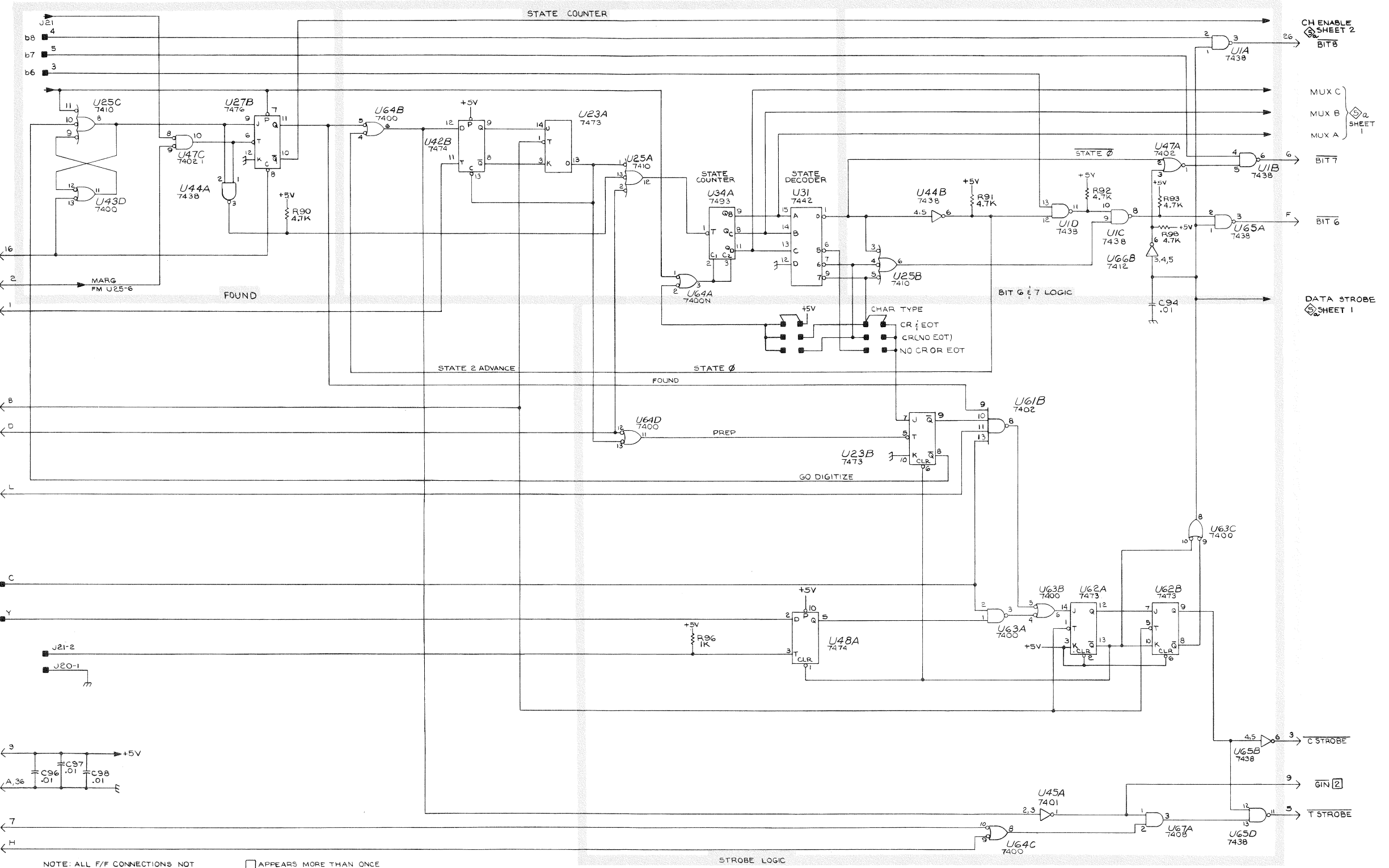
-15V
 3 614 KHZ
 INQUIRE
 2 DRBUSY

+15V
 CPUNT
 KLOCK

STROBE
 FM A8 J80-6
 FM A7 J80-8



ECHO
 LOCAL



NOTE: ALL F/F CONNECTIONS NOT SHOWN ARE PULLED HIGH

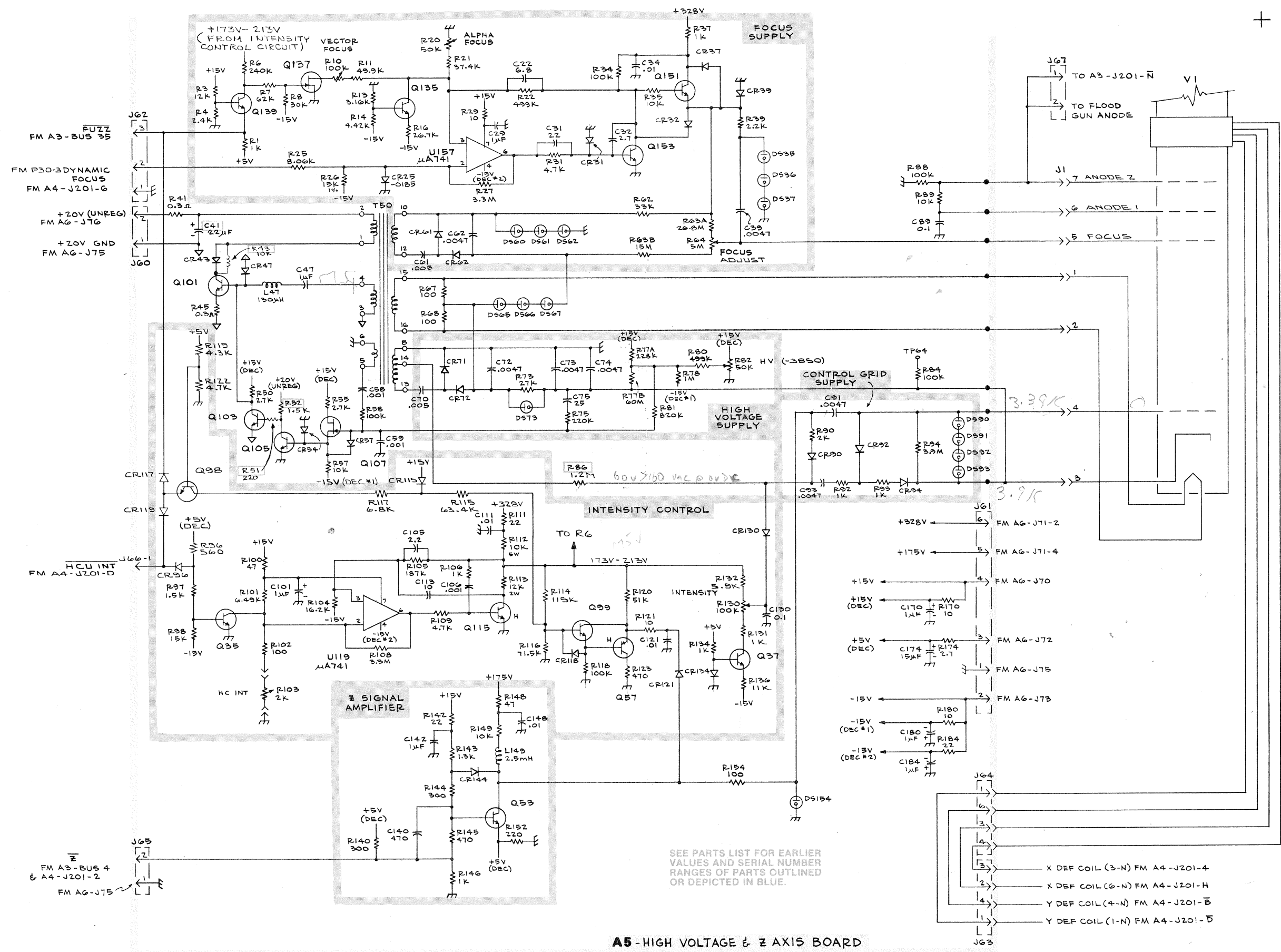
4010/4010-1

REV. E, APRIL 1976
 (1461)1183-85

PARTIAL A2 TC-2 CARD

A2 670-1729-04 & BELOW TC-2 5 SHEET 3 OF 3

SHEET 3 OF 3 TC-2
 A2 670-1729-04 & BELOW
 5



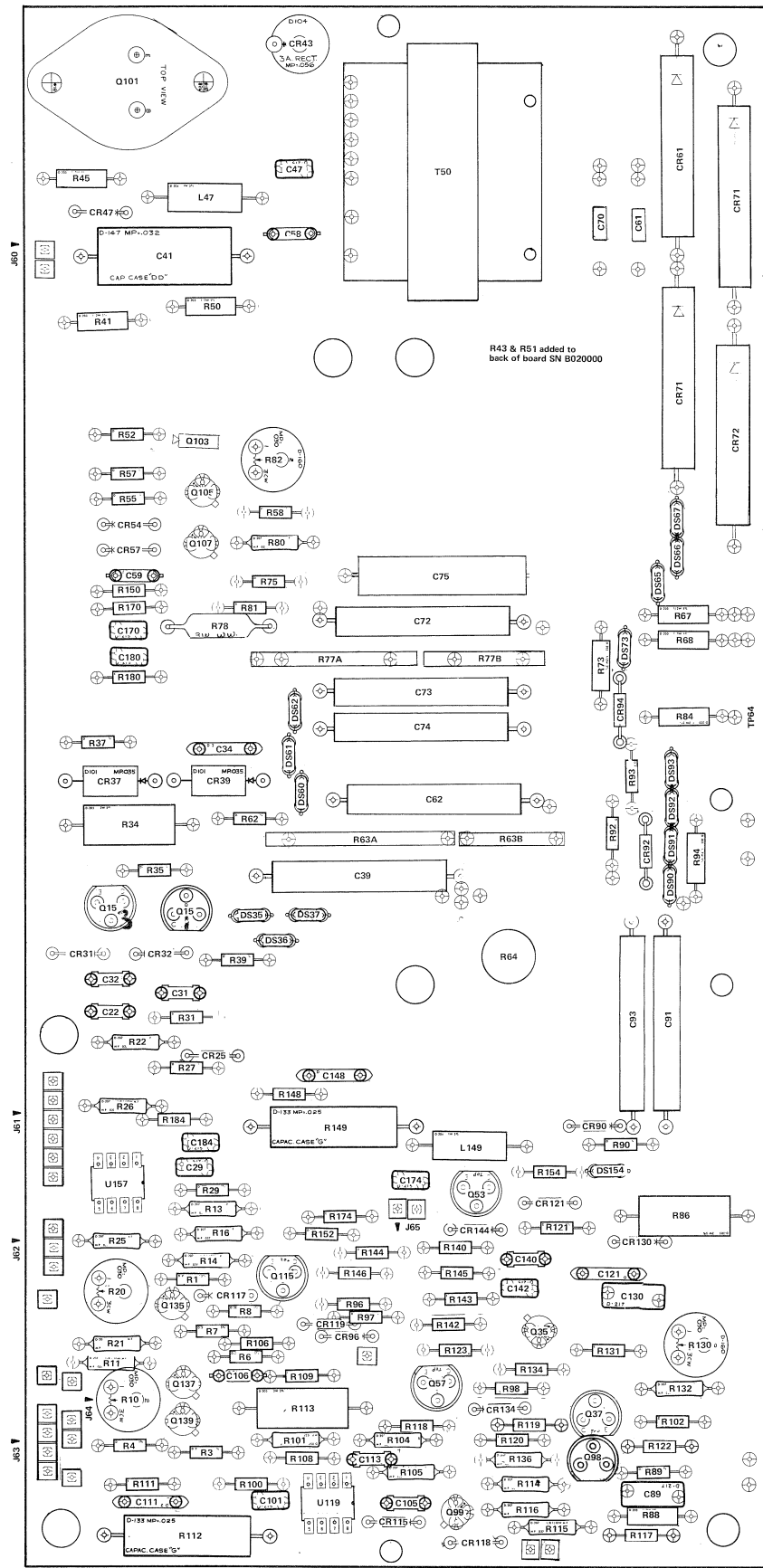
SEE PARTS LIST FOR EARLIER VALUES AND SERIAL NUMBER RANGES OF PARTS OUTLINED OR DEPICTED IN BLUE.

A5-HIGH VOLTAGE & Z AXIS BOARD

REV. E, APRIL 1976
1183-61

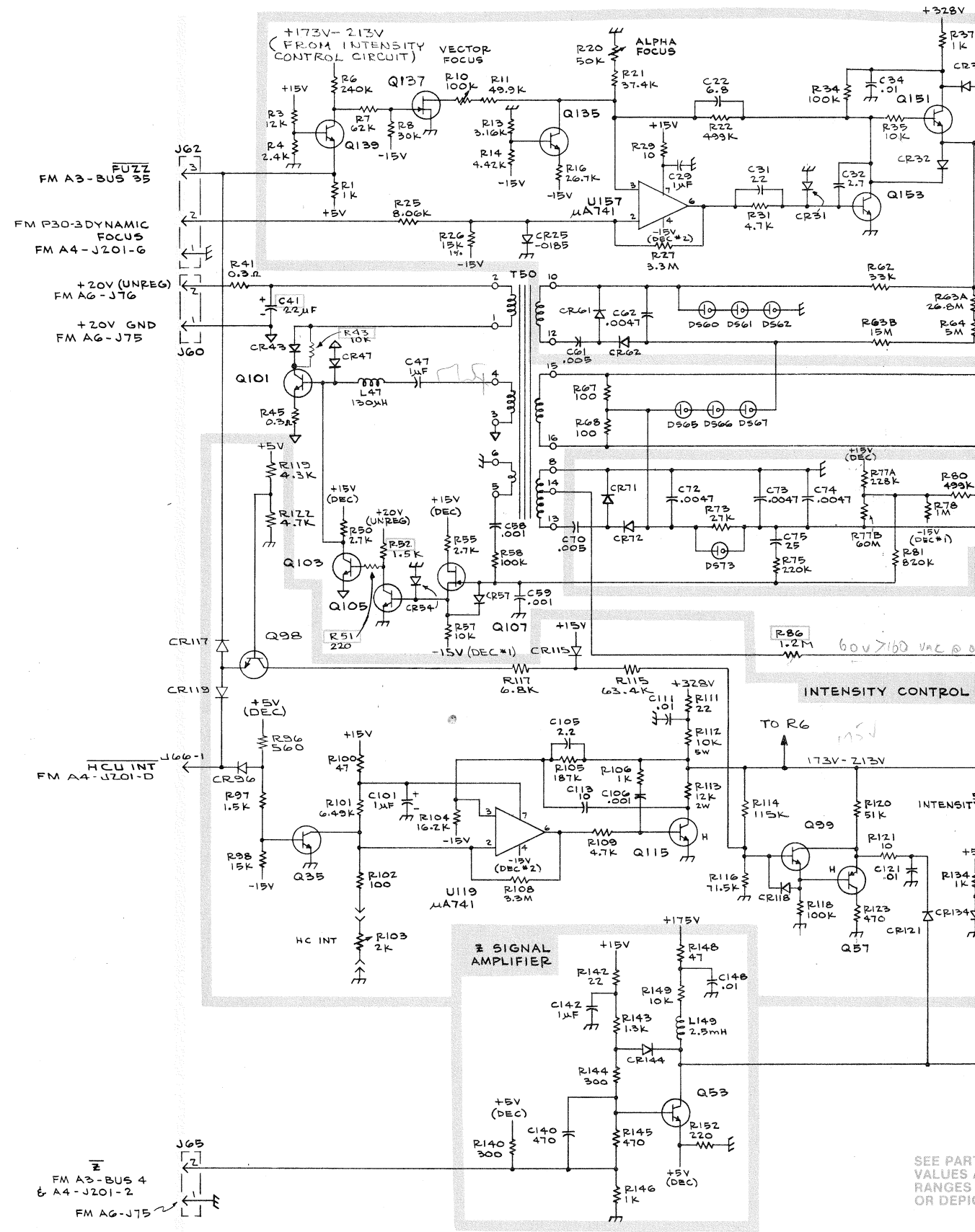
A5 670-1731-00,01 HIGH VOLTAGE & Z AXIS 6

4010/4010-1



High Voltage Component Locations.

1183-39



4010/4010-1

A5-HIGH VOLT

REV. E, APRIL 1976
1183-61

SEE PART VALUES RANGES OR DEPICT