

SEE PARTS LIST FOR EARLIER VALUES AND SERIAL NUMBER RANGES OF PARTS OUTLINED OR DEPICTED IN BLUE.

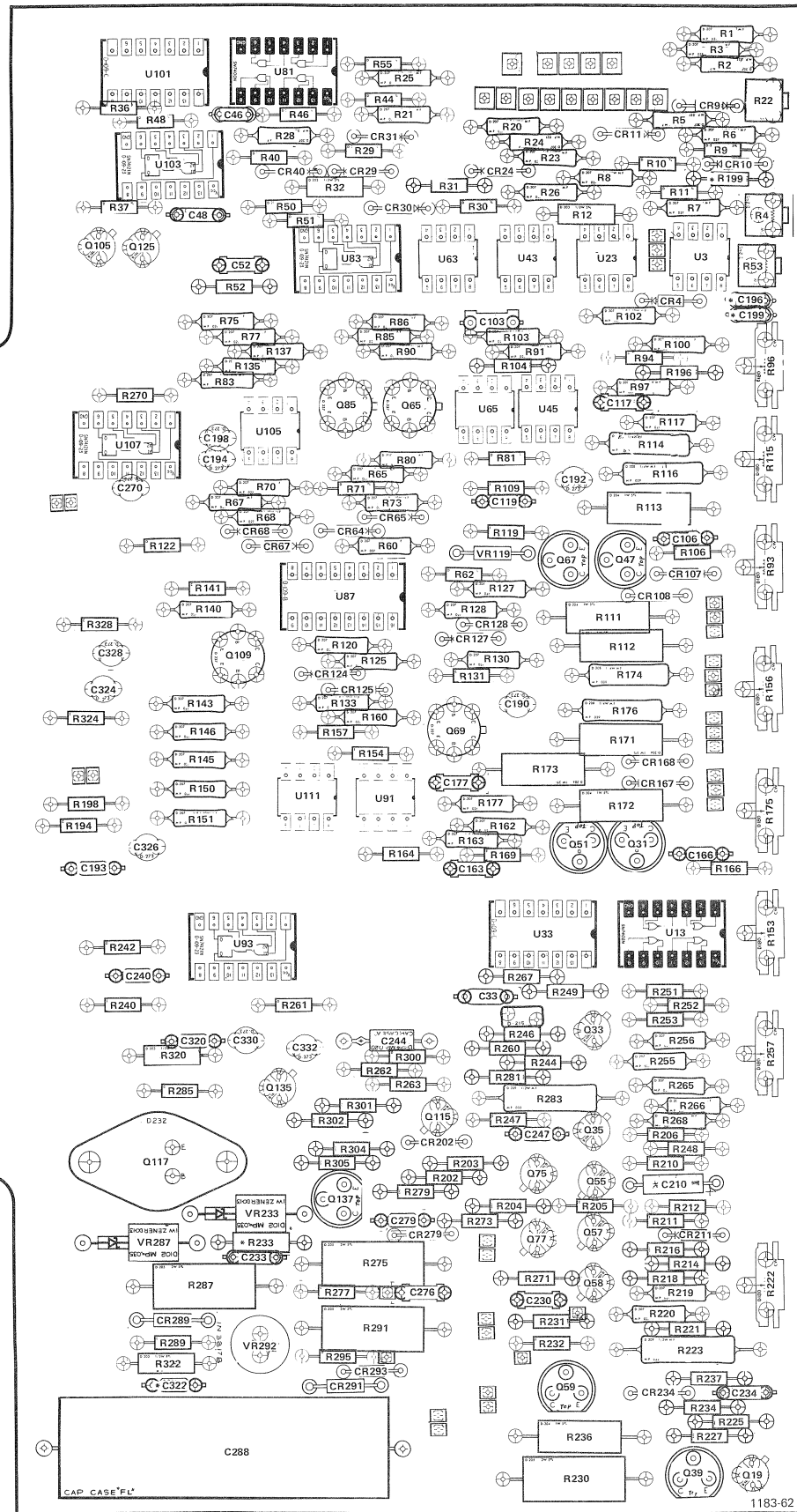
P/O A4 DEFLECTION AMPLIFIER & STORAGE BOARD

4010/4010-1

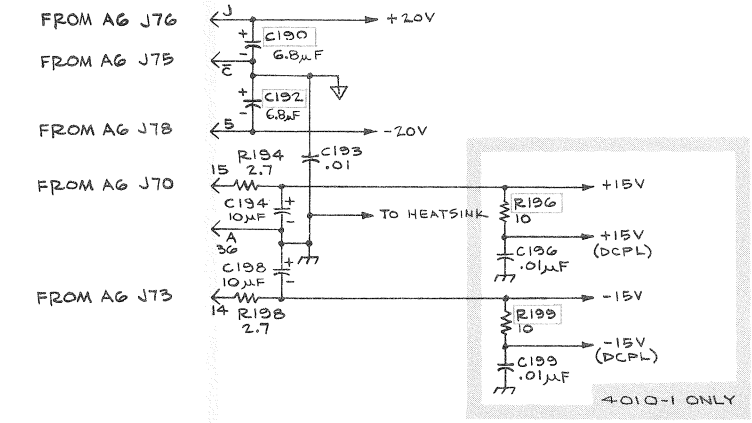
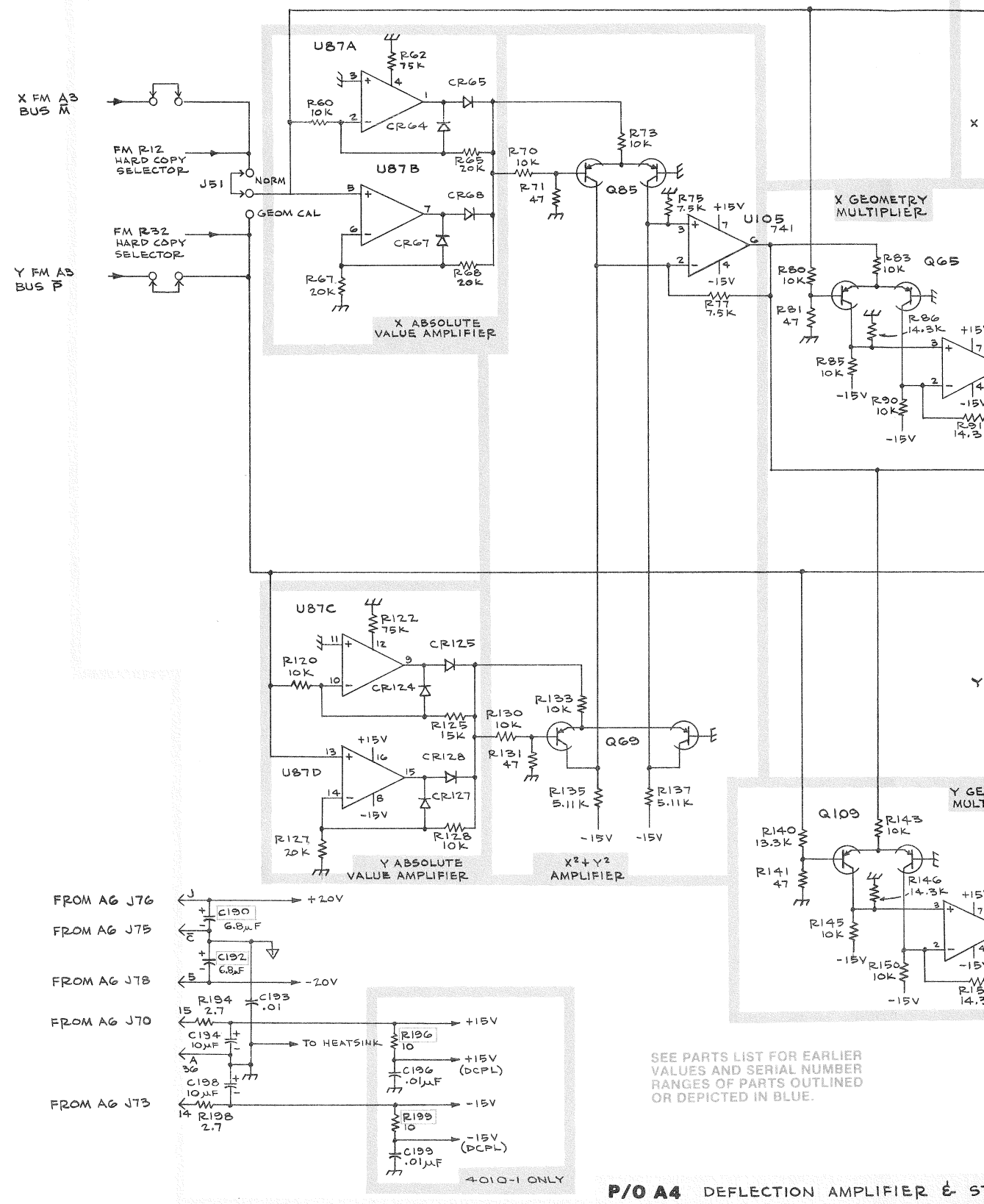
REV. E, APRIL 1976
1183-40

670-1727-00-05 DEFLECTION AMPLIFIERS 7

A
B
C
D
E
F
G
H
I
J
K
L
M
N
P
Q
R
S
T
U
V
W
X
Y
Z
1
2
3
4
5
6
7
8
9
10
11
12
13
14
15
16
17
18
19
20
21
22
23
24
25
26
27
28
29
30
31
32
33
34
35
36



Deflection Amp and Storage Component Locations - 670-1727-03 & below (4010-1 only) & 670-1974-03 & below (4010 only).



SEE PARTS LIST FOR EARLIER VALUES AND SERIAL NUMBER RANGES OF PARTS OUTLINED OR DEPICTED IN BLUE.

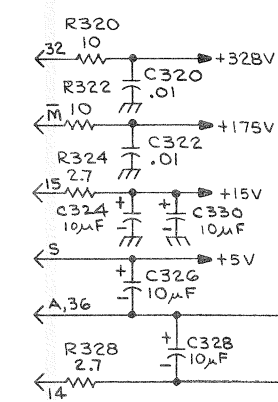
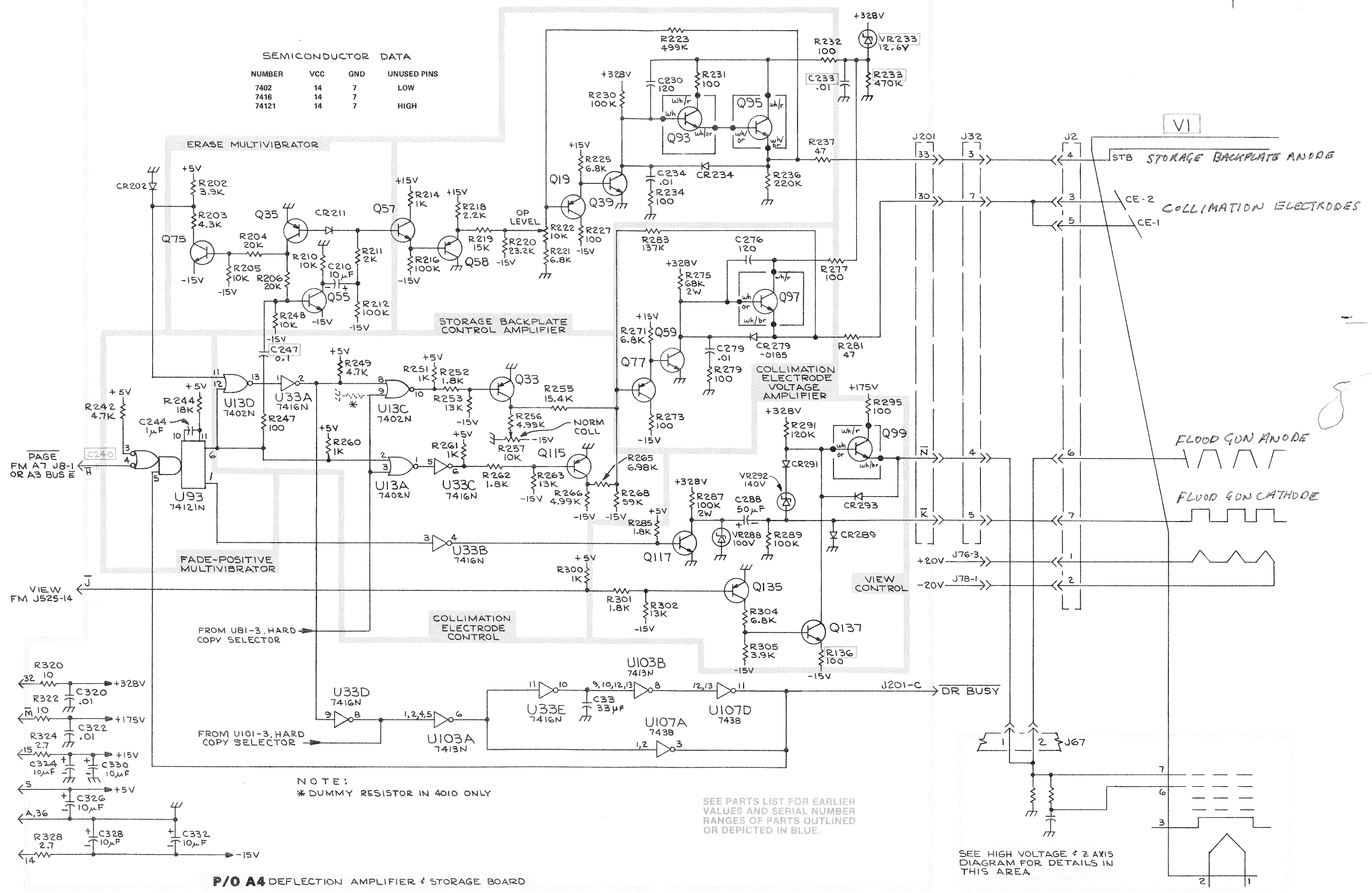
P/O A4 DEFLECTION AMPLIFIER & S

4010/4010-1

REV. E, APRIL 1976
1183-40

SEMICONDUCTOR DATA

NUMBER	VCC	GND	UNUSED PINS
7402	14	7	LOW
7416	14	7	HIGH
74121	14	7	HIGH



P/O A4 DEFLECTION AMPLIFIER & STORAGE BOARD

NOTE:
* DUMMY RESISTOR IN 4010 ONLY

SEE PARTS LIST FOR EARLIER VALUES AND SERIAL NUMBER RANGES OF PARTS OUTLINED OR DEPICTED IN BLUE.

SEE HIGH VOLTAGE & Z AXIS DIAGRAM FOR DETAILS IN THIS AREA

4010/4010-1

REV. D, APRIL 1976
1183-42

STORAGE CIRCUIT 8
670-1727-04 & UP
670-1974-04, 05

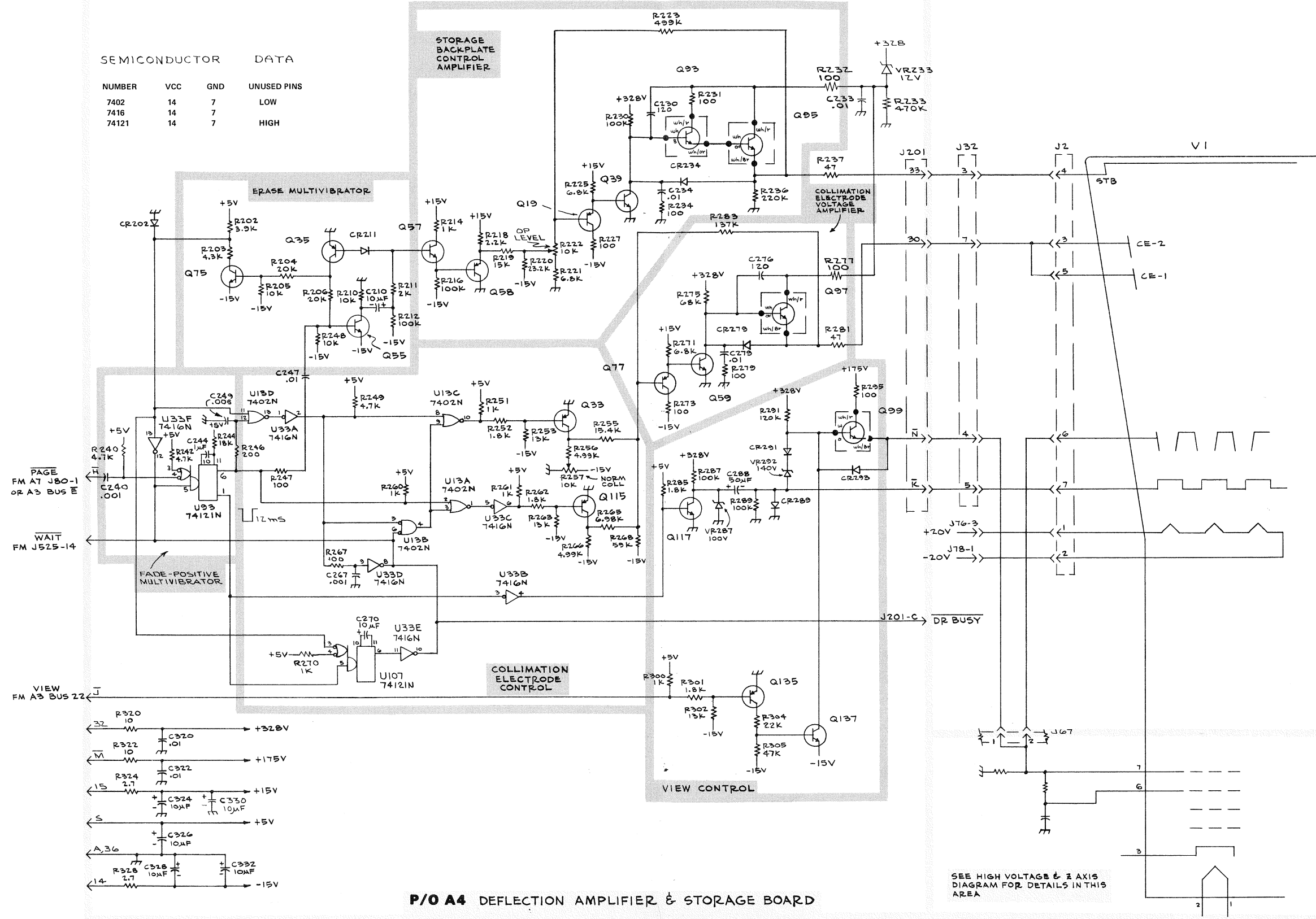
OURS
05

STORAGE CIRCUIT
A4 670-1727-04 & UP
A4 670-1974-04, 05

8

SEMICONDUCTOR DATA

NUMBER	VCC	GND	UNUSED PINS
7402	14	7	LOW
7416	14	7	HIGH
74121	14	7	HIGH



P/O A4 DEFLECTION AMPLIFIER & STORAGE BOARD

SEE HIGH VOLTAGE & Z AXIS DIAGRAM FOR DETAILS IN THIS AREA

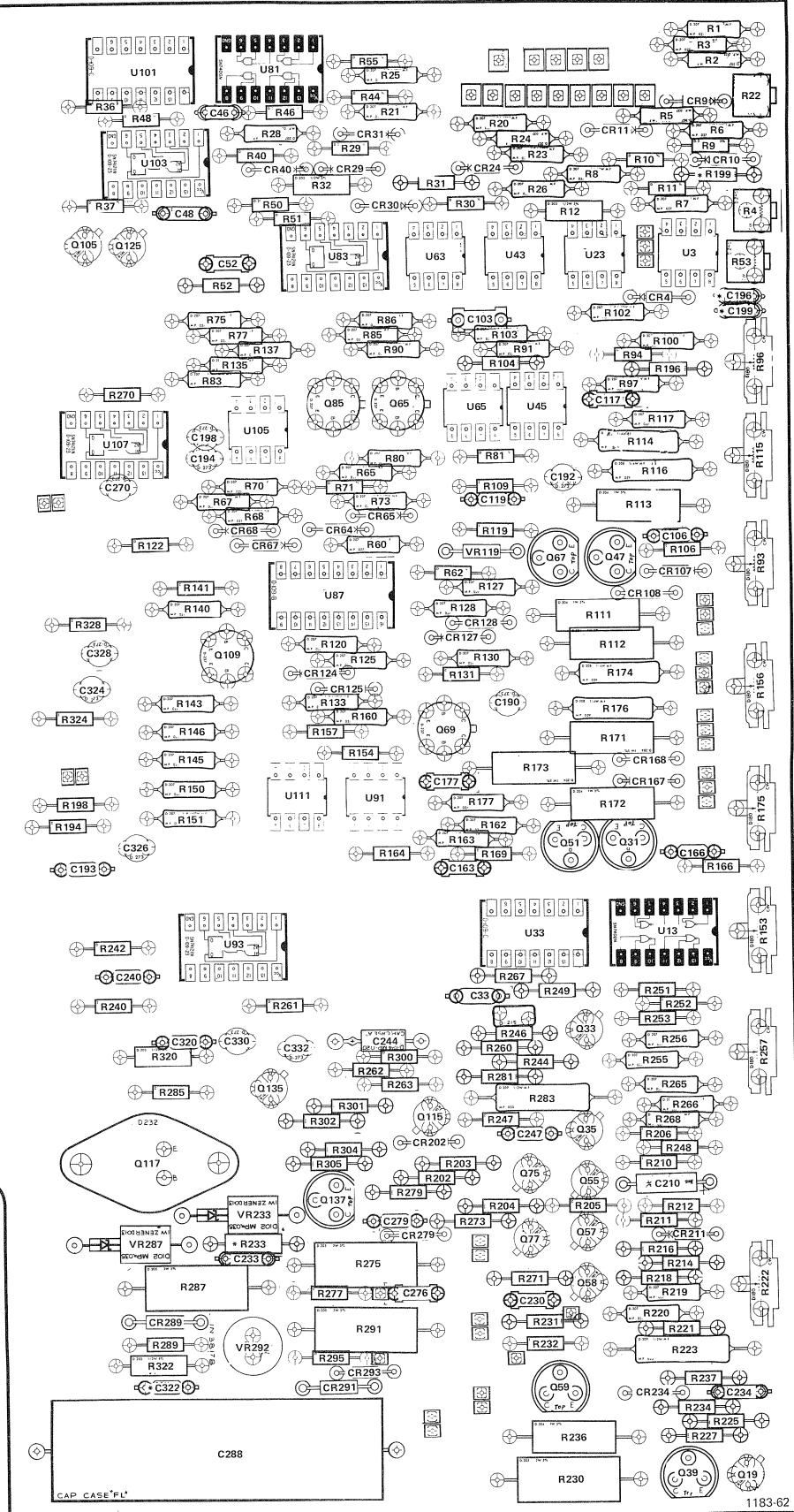
4010/4010-1

REV. F, APRIL 1976
1183-41

STORAGE CIRCUIT 8
670-1727-03 & BELOW
670-1974-03 & BELOW

STORAGE CIRCUIT
A4 670-1727-03 & BELOW
A4 670-1974-03 & BELOW

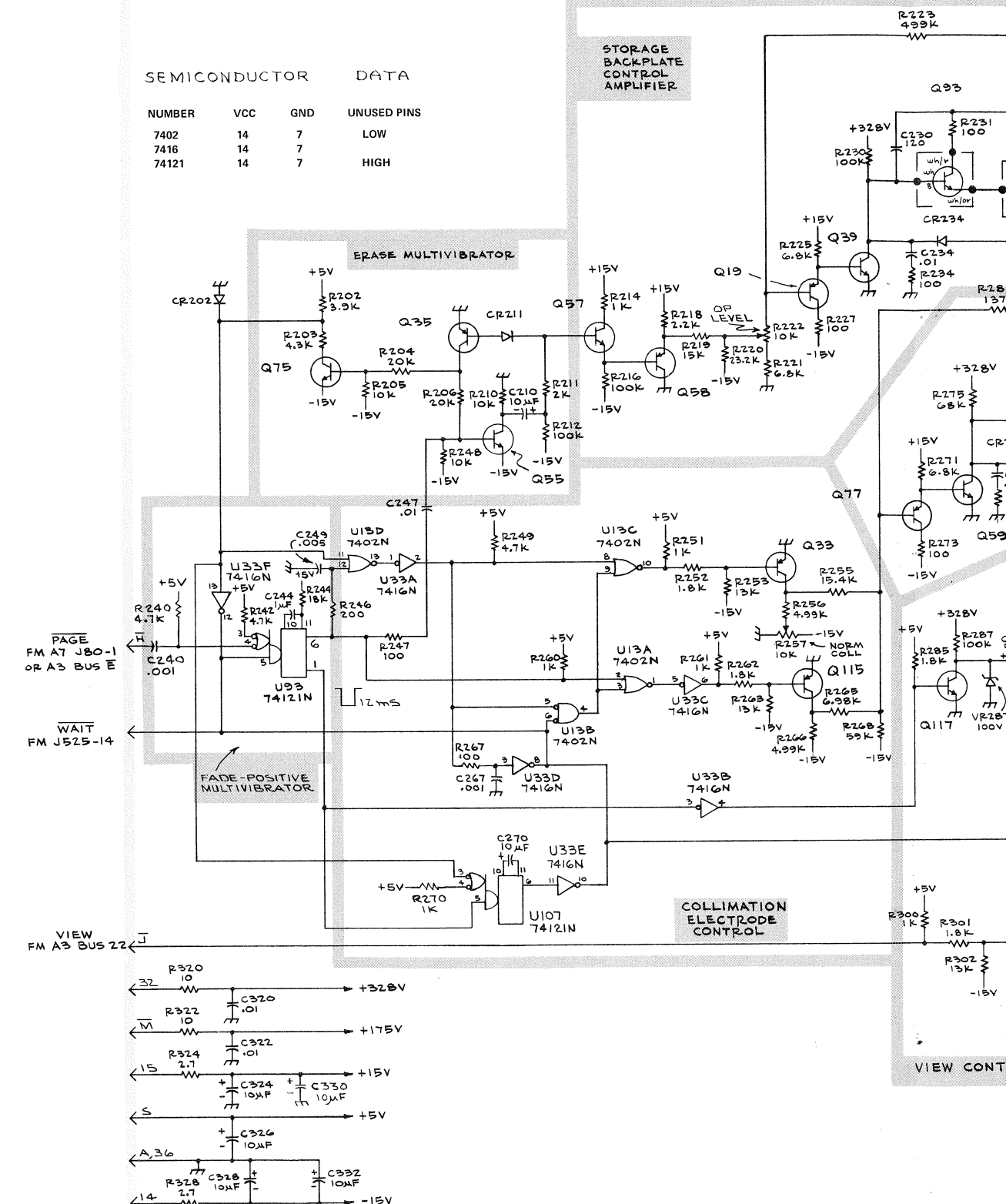
A
B
C
D
E
F
G
H
I
J
K
L
M
N
O
P
Q
R
S
T
U
V
W
X
Y
Z
AA
AB
AC
AD
AE
AF
AG
AH
AI
AJ
AK
AL
AM
AN
AO
AP
AQ
AR
AS
AT
AU
AV
AW
AX
AY
AZ
BA
BB
BC
BD
BE
BF
BG
BH
BI
BJ
BK
BL
BM
BN
BO
BP
BQ
BR
BS
BT
BU
BV
BW
BX
BY
BZ
CA
CB
CC
CD
CE
CF
CG
CH
CI
CJ
CK
CL
CM
CN
CO
CP
CQ
CR
CS
CT
CU
CV
CW
CX
CY
CZ
DA
DB
DC
DD
DE
DF
DG
DH
DI
DJ
DK
DL
DM
DN
DO
DP
DQ
DR
DS
DT
DU
DV
DW
DX
DY
DZ
EA
EB
EC
ED
EE
EF
EG
EH
EI
EJ
EK
EL
EM
EN
EO
EP
EQ
ER
ES
ET
EU
EV
EW
EX
EY
EZ
FA
FB
FC
FD
FE
FF
FG
FH
FI
FJ
FK
FL
FM
FN
FO
FP
FQ
FR
FS
FT
FU
FV
FW
FX
FY
FZ
GA
GB
GC
GD
GE
GF
GG
GH
GI
GJ
GK
GL
GM
GN
GO
GP
GQ
GR
GS
GT
GU
GV
GW
GX
GY
GZ
HA
HB
HC
HD
HE
HF
HG
HH
HI
HJ
HK
HL
HM
HN
HO
HP
HQ
HR
HS
HT
HU
HV
HW
HX
HY
HZ
IA
IB
IC
ID
IE
IF
IG
IH
II
IJ
IK
IL
IM
IN
IO
IP
IQ
IR
IS
IT
IU
IV
IW
IX
IY
IZ
JA
JB
JC
JD
JE
JF
JG
JH
JI
JJ
JK
JL
JM
JN
JO
JP
JQ
JR
JS
JT
JU
JV
JW
JX
JY
JZ
KA
KB
KC
KD
KE
KF
KG
KH
KI
KJ
KL
KM
KN
KO
KP
KQ
KR
KS
KT
KU
KV
KW
KX
KY
KZ
LA
LB
LC
LD
LE
LF
LG
LH
LI
LJ
LK
LL
LM
LN
LO
LP
LQ
LR
LS
LT
LU
LV
LW
LX
LY
LZ
MA
MB
MC
MD
ME
MF
MG
MH
MI
MJ
MK
ML
MN
MO
MP
MQ
MR
MS
MT
MU
MV
MW
MX
MY
MZ
NA
NB
NC
ND
NE
NF
NG
NH
NI
NJ
NK
NL
NM
NO
NP
NQ
NR
NS
NT
NU
NV
NW
NX
NY
NZ
OA
OB
OC
OD
OE
OF
OG
OH
OI
OJ
OK
OL
OM
ON
OO
OP
OQ
OR
OS
OT
OU
OV
OW
OX
OY
OZ
PA
PB
PC
PD
PE
PF
PG
PH
PI
PJ
PK
PL
PM
PN
PO
PP
PQ
PR
PS
PT
PU
PV
PW
PX
PY
PZ
QA
QB
QC
QD
QE
QF
QG
QH
QI
QJ
QK
QL
QM
QN
QO
QP
QQ
QR
QS
QT
QU
QV
QW
QX
QY
QZ
RA
RB
RC
RD
RE
RF
RG
RH
RI
RJ
RK
RL
RM
RN
RO
RP
RQ
RS
RT
RU
RV
RW
RX
RY
RZ
SA
SB
SC
SD
SE
SF
SG
SH
SI
SJ
SK
SL
SM
SN
SO
SP
SQ
SR
SS
ST
SU
SV
SW
SX
SY
SZ
TA
TB
TC
TD
TE
TF
TG
TH
TI
TJ
TK
TL
TM
TN
TO
TP
TQ
TR
TS
TT
TU
TV
TW
TX
TY
TZ
UA
UB
UC
UD
UE
UF
UG
UH
UI
UJ
UK
UL
UM
UN
UO
UP
UQ
UR
US
UT
UU
UV
UW
UX
UY
UZ
VA
VB
VC
VD
VE
VF
VG
VH
VI
VJ
VK
VL
VM
VN
VO
VP
VQ
VR
VS
VT
VU
VV
VW
VX
VY
VZ
WA
WB
WC
WD
WE
WF
WG
WH
WI
WJ
WK
WL
WM
WN
WO
WP
WQ
WR
WS
WT
WU
WV
WW
WX
WY
WZ
XA
XB
XC
XD
XE
XF
XG
XH
XI
XJ
XK
XL
XM
XN
XO
XP
XQ
XR
XS
XT
XU
XV
XW
XX
XY
XZ
YA
YB
YC
YD
YE
YF
YG
YH
YI
YJ
YK
YL
YM
YN
YO
YP
YQ
YR
YS
YT
YU
YV
YW
YX
YZ
ZA
ZB
ZC
ZD
ZE
ZF
ZG
ZH
ZI
ZJ
ZK
ZL
ZM
ZN
ZO
ZP
ZQ
ZR
ZS
ZT
ZU
ZV
ZW
ZX
ZY
ZZ



Deflection Amp and Storage Component Locations - 670-1727-03 & below (4010-1 only) & 670-1974-03 & below (4010 only).

SEMICONDUCTOR DATA

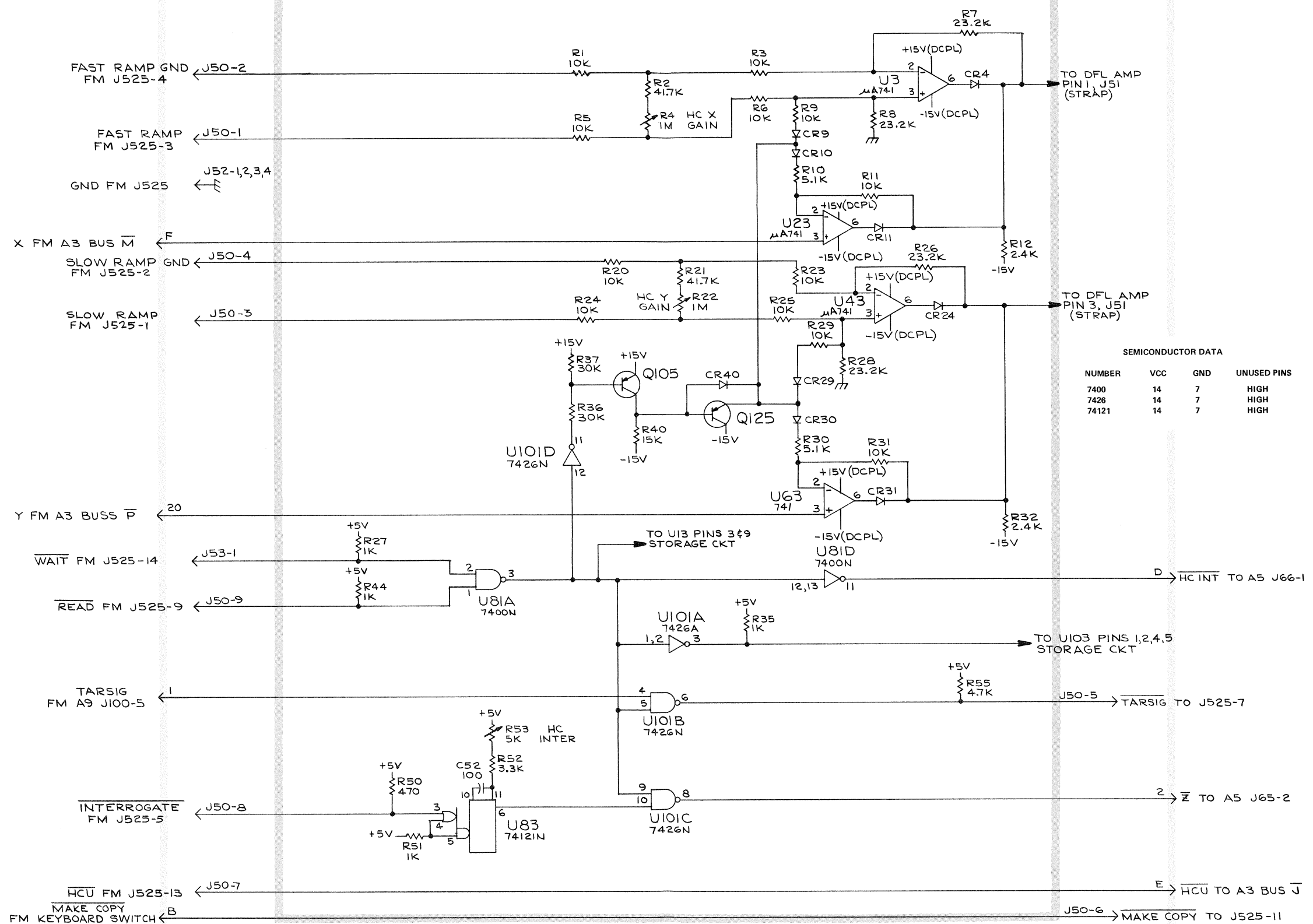
NUMBER	VCC	GND	UNUSED PINS
7402	14	7	LOW
7416	14	7	LOW
74121	14	7	HIGH



4010/4010-1

P/O A4 DEFLECTION AMPLIFIER & STORAGE

REV. F, APRIL 1 1183-41



SEMICONDUCTOR DATA

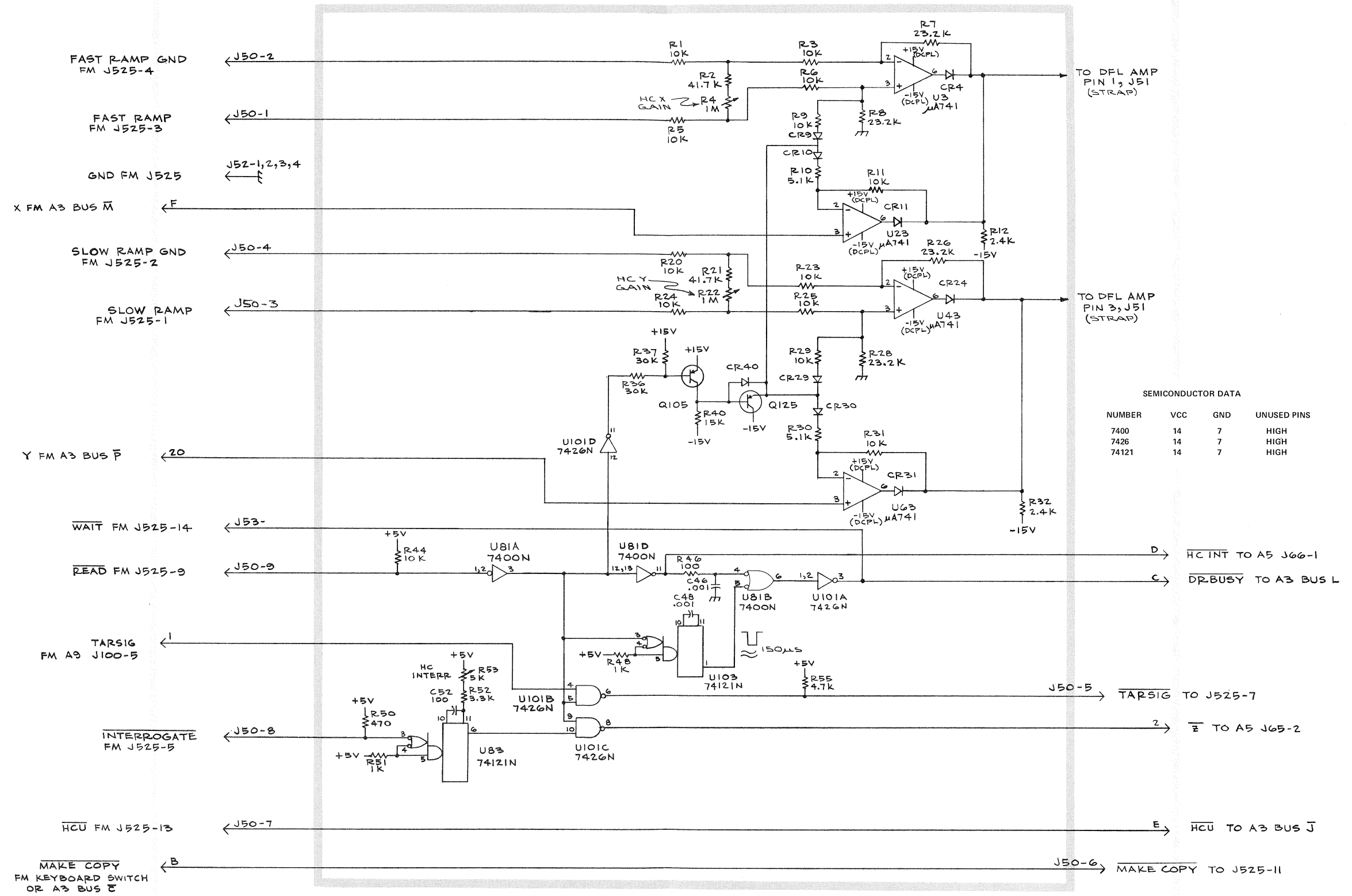
NUMBER	VCC	GND	UNUSED PINS
7400	14	7	HIGH
7426	14	7	HIGH
74121	14	7	HIGH

P/O A4 DEFLECTION AMPLIFIER & STORAGE BOARD

4010/4010-1

REV. D, APRIL 1976
1183-64

A4 670-1727-04 & UP HARD COPY SELECTOR 9
(4010-1 CIRCUITRY NOT CONTAINED IN 4010)

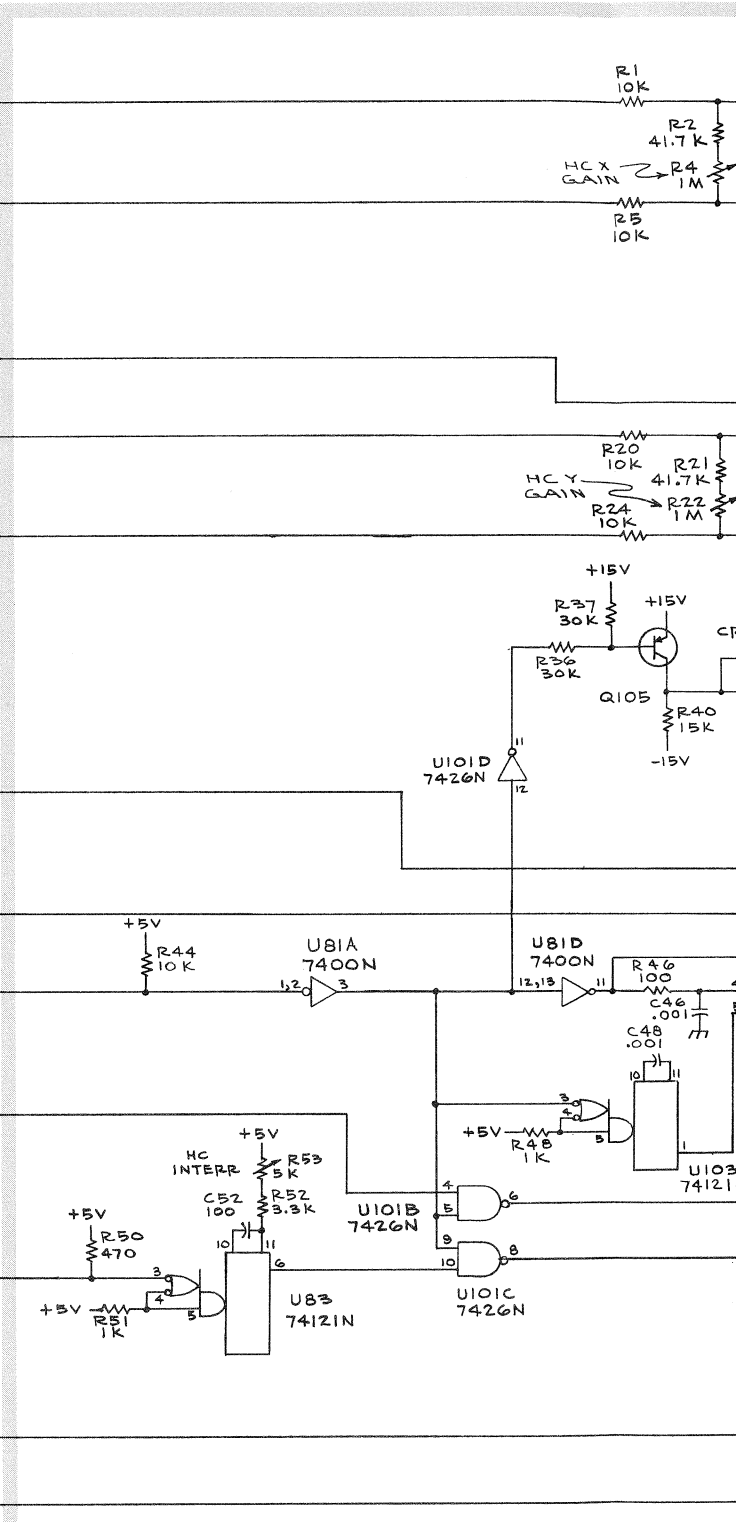
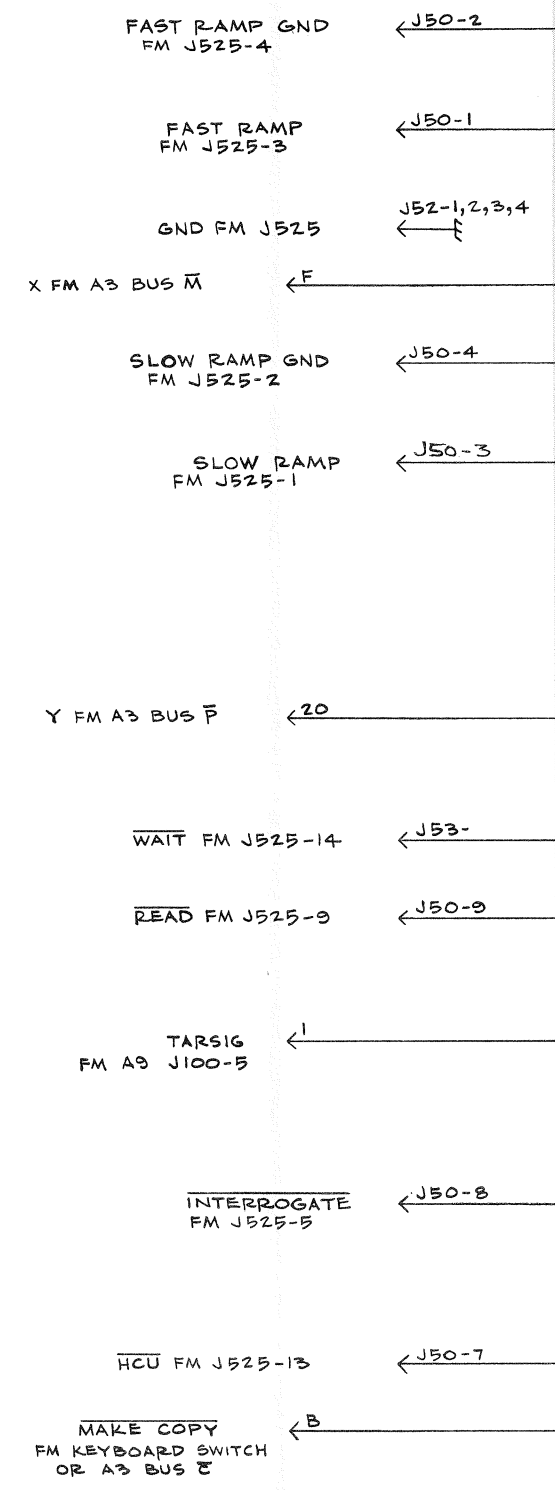
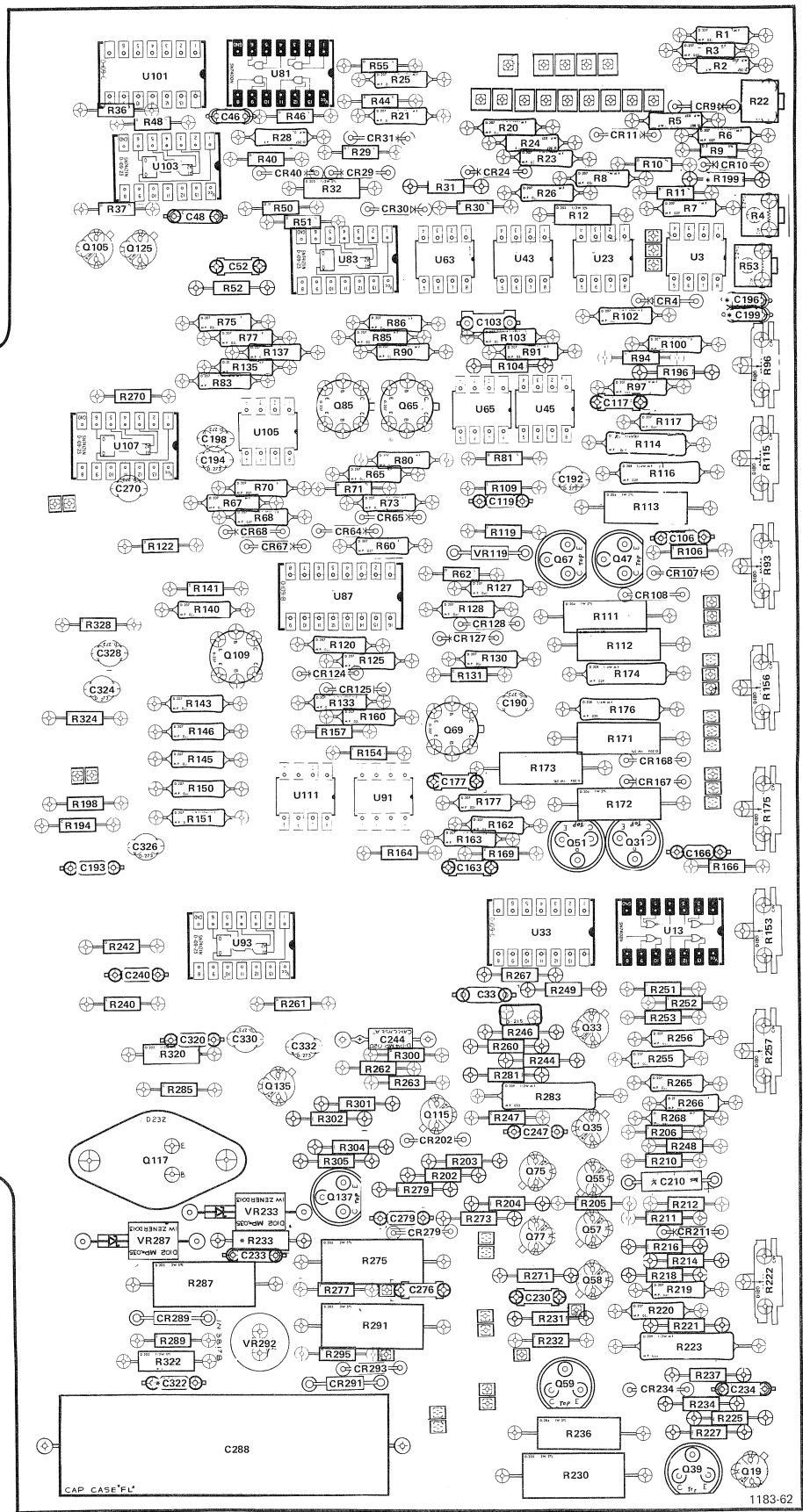


SEMICONDUCTOR DATA

NUMBER	VCC	GND	UNUSED PINS
7400	14	7	HIGH
7426	14	7	HIGH
74121	14	7	HIGH

P/O A4 DEFLECTION AMPLIFIER & STORAGE BOARD

HARD COPY SELECTOR A4 670-1727-03 & BELOW 9a

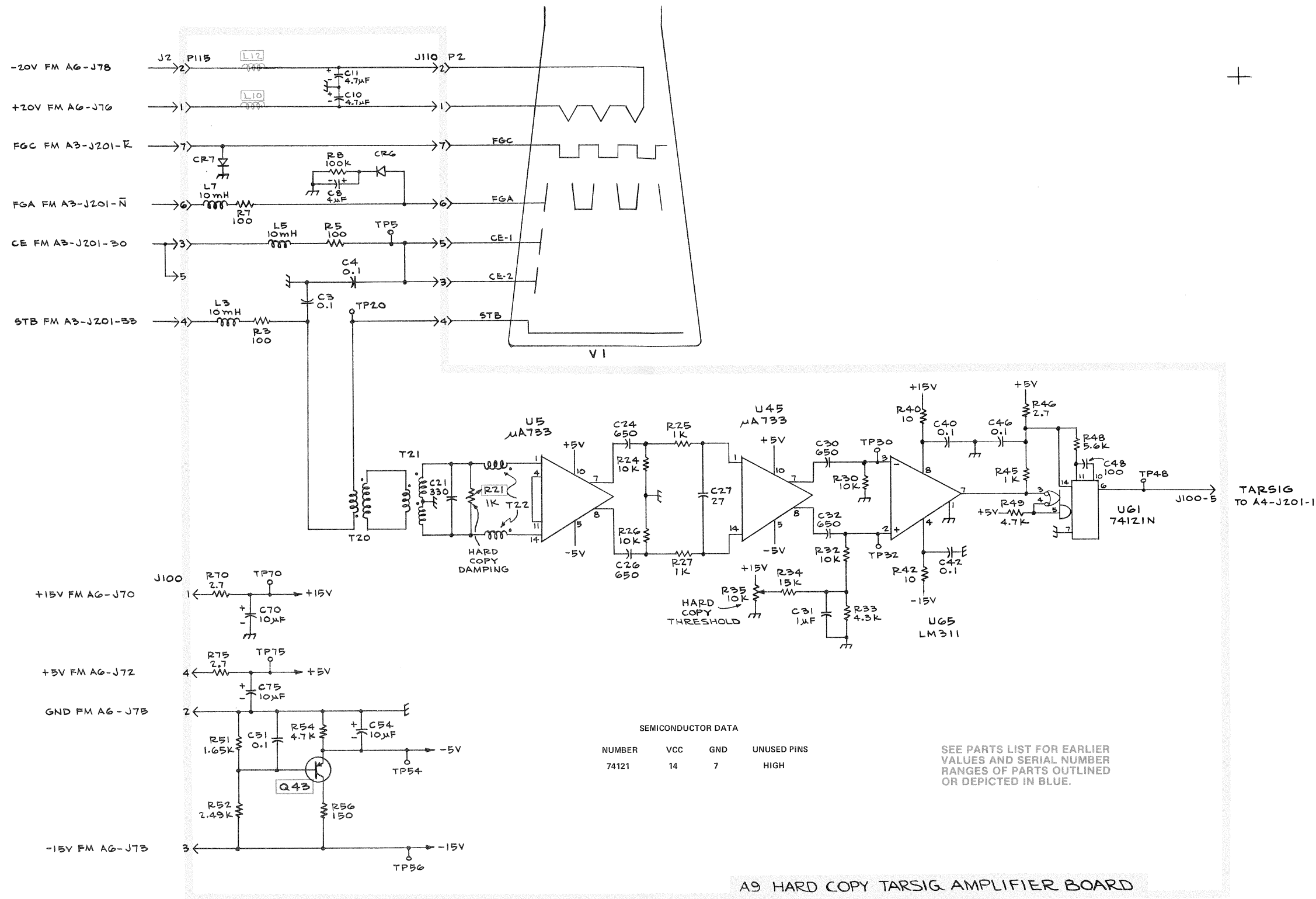


4010/4010-1

REV. E, APRIL 1976
1183-63

Deflection Amp and Storage Component Locations - 670-1727-03 & below (4010-1 only) & 670-1974-03 & below (4010 only).

P/O A4 DE

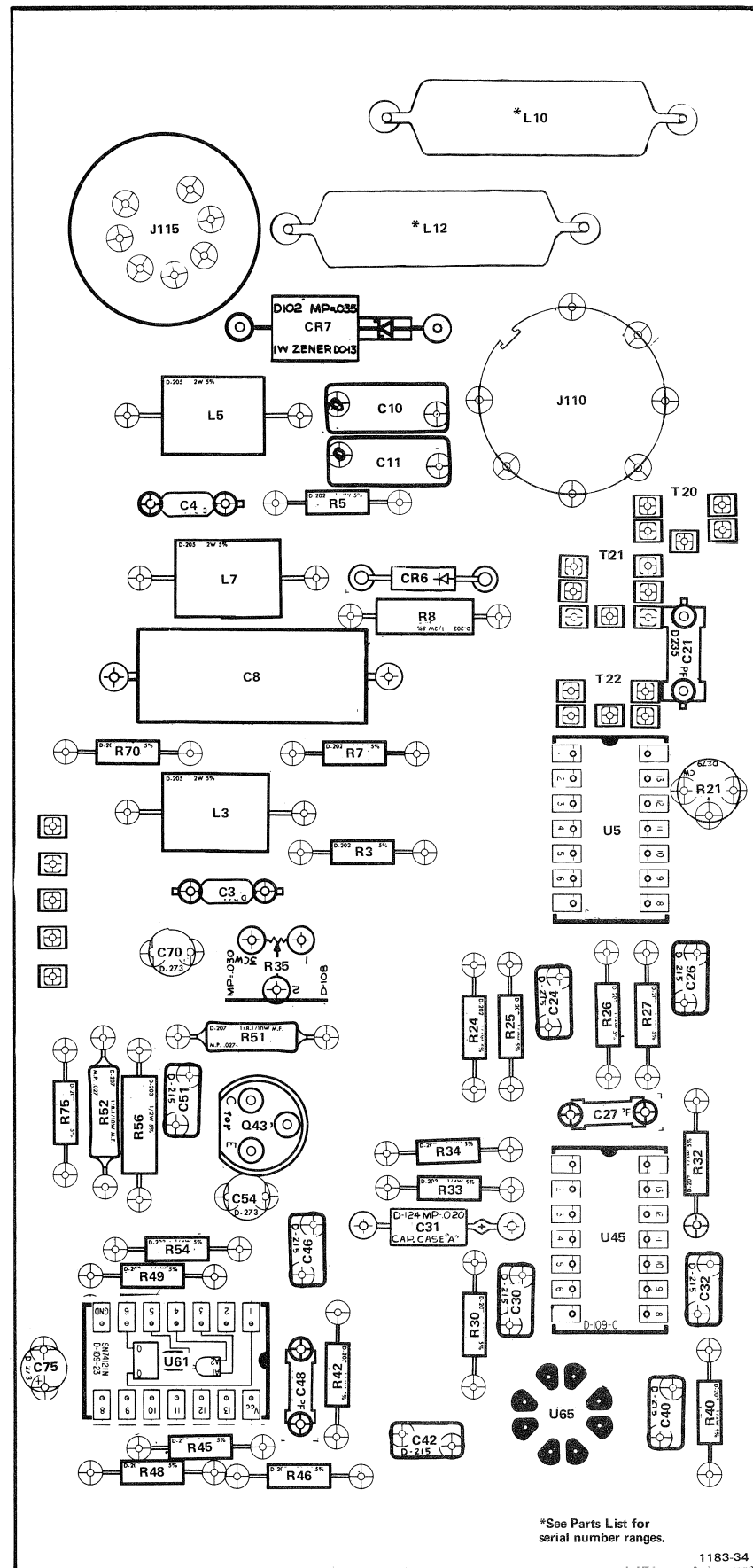


SEMICONDUCTOR DATA

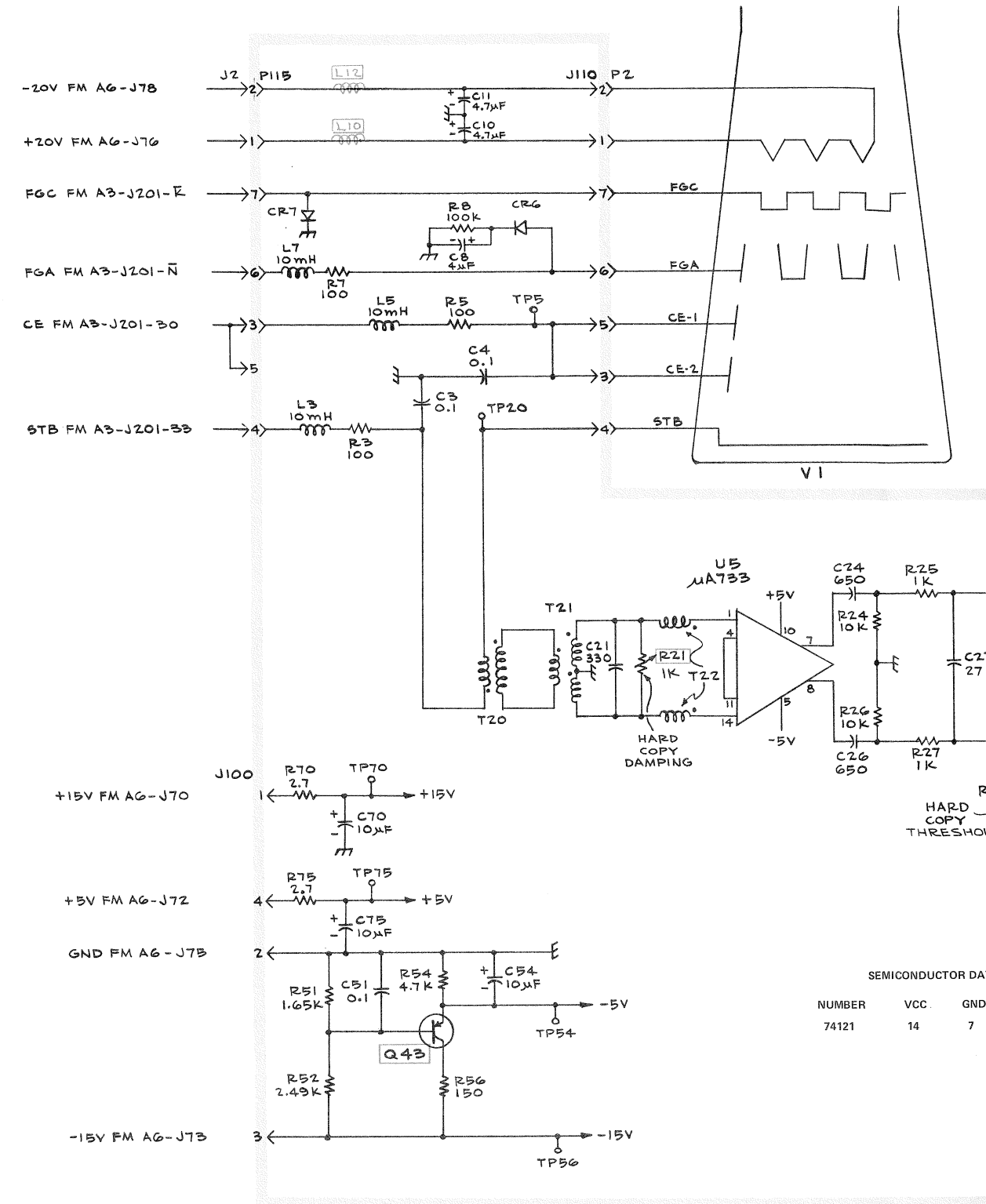
NUMBER	VCC	GND	UNUSED PINS
74121	14	7	HIGH

SEE PARTS LIST FOR EARLIER VALUES AND SERIAL NUMBER RANGES OF PARTS OUTLINED OR DEPICTED IN BLUE.

A9 HARD COPY TARSIG AMPLIFIER BOARD



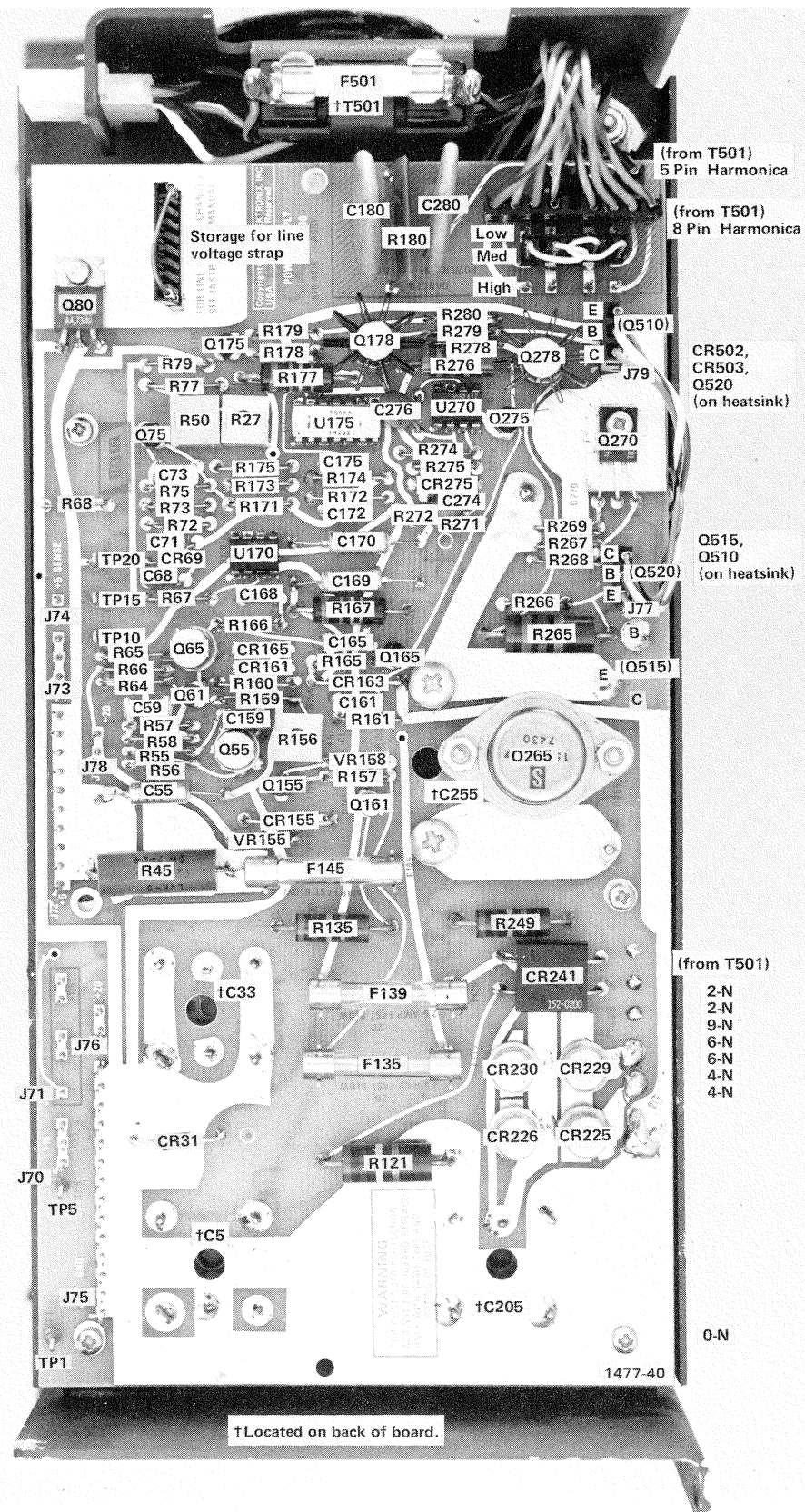
Hard Copy Tarsig Amp Component Locations.



4010/4010-1

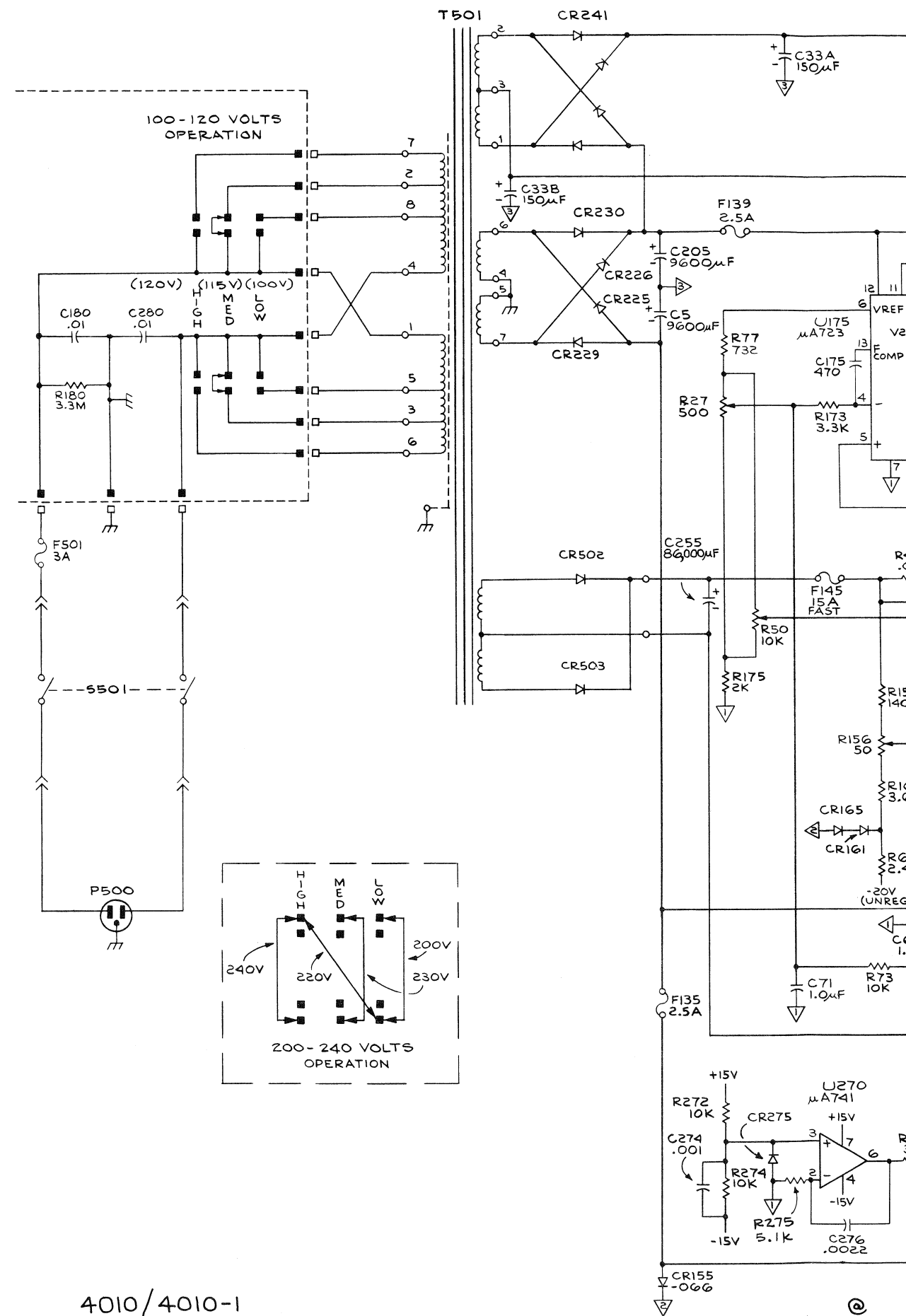
REV. D, APRIL 1976
1183-65

NUMBER	VCC	GND
74121	14	7



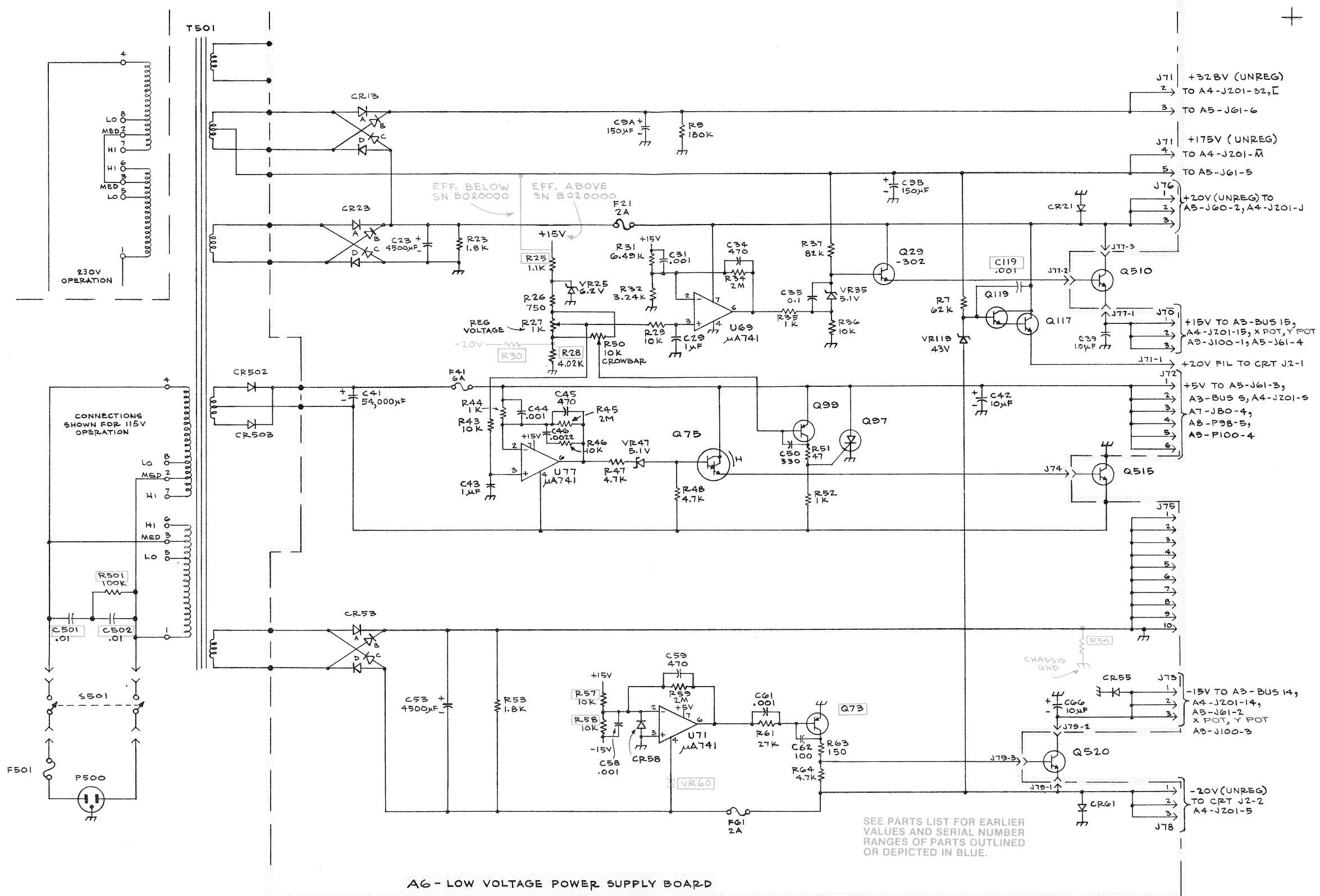
† Located on back of board.

H.D. Power Supply Component Locations (670-4216-00).



4010/4010-1

(1477)1183-86

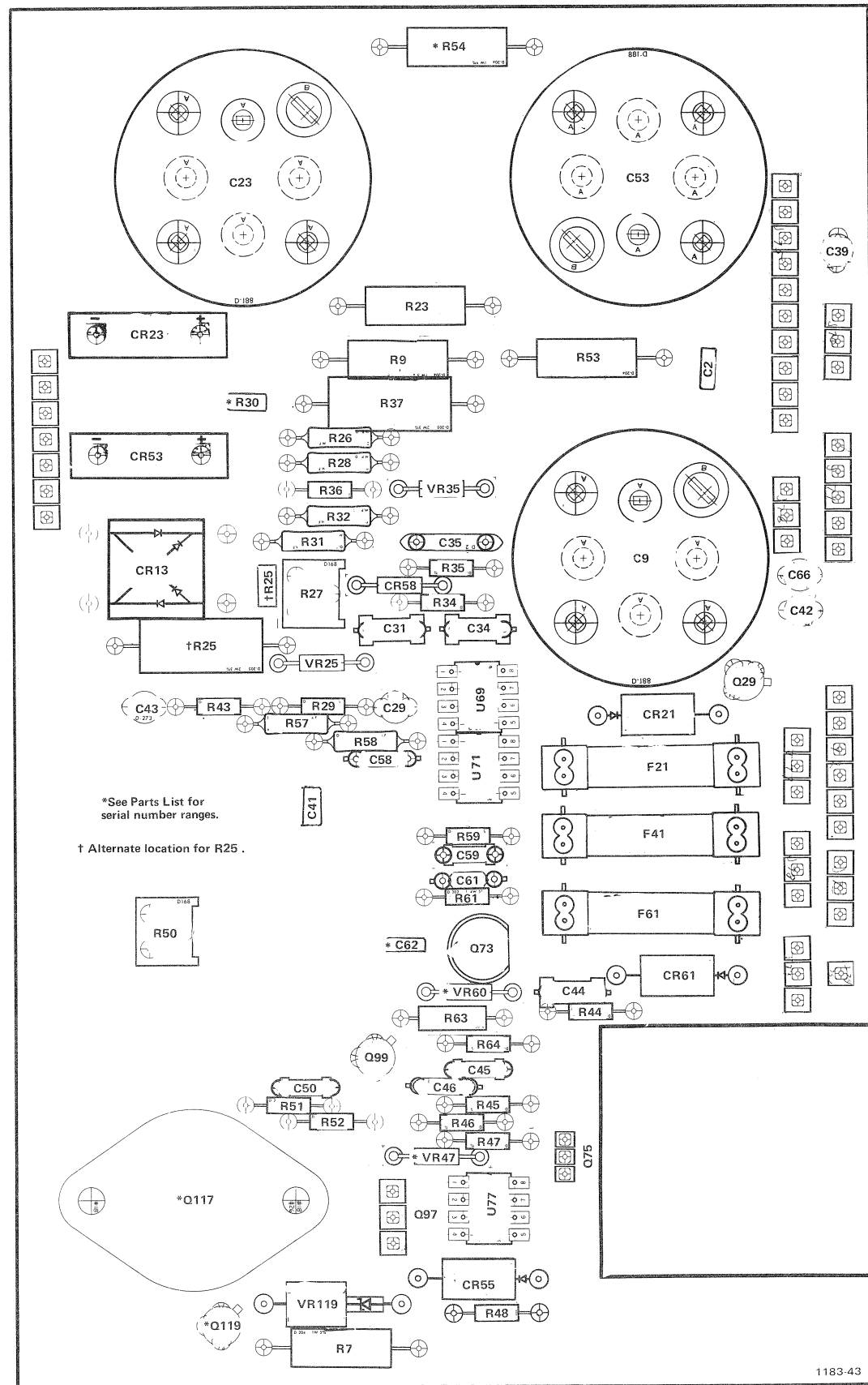


A6 - LOW VOLTAGE POWER SUPPLY BOARD

4010/4010-1

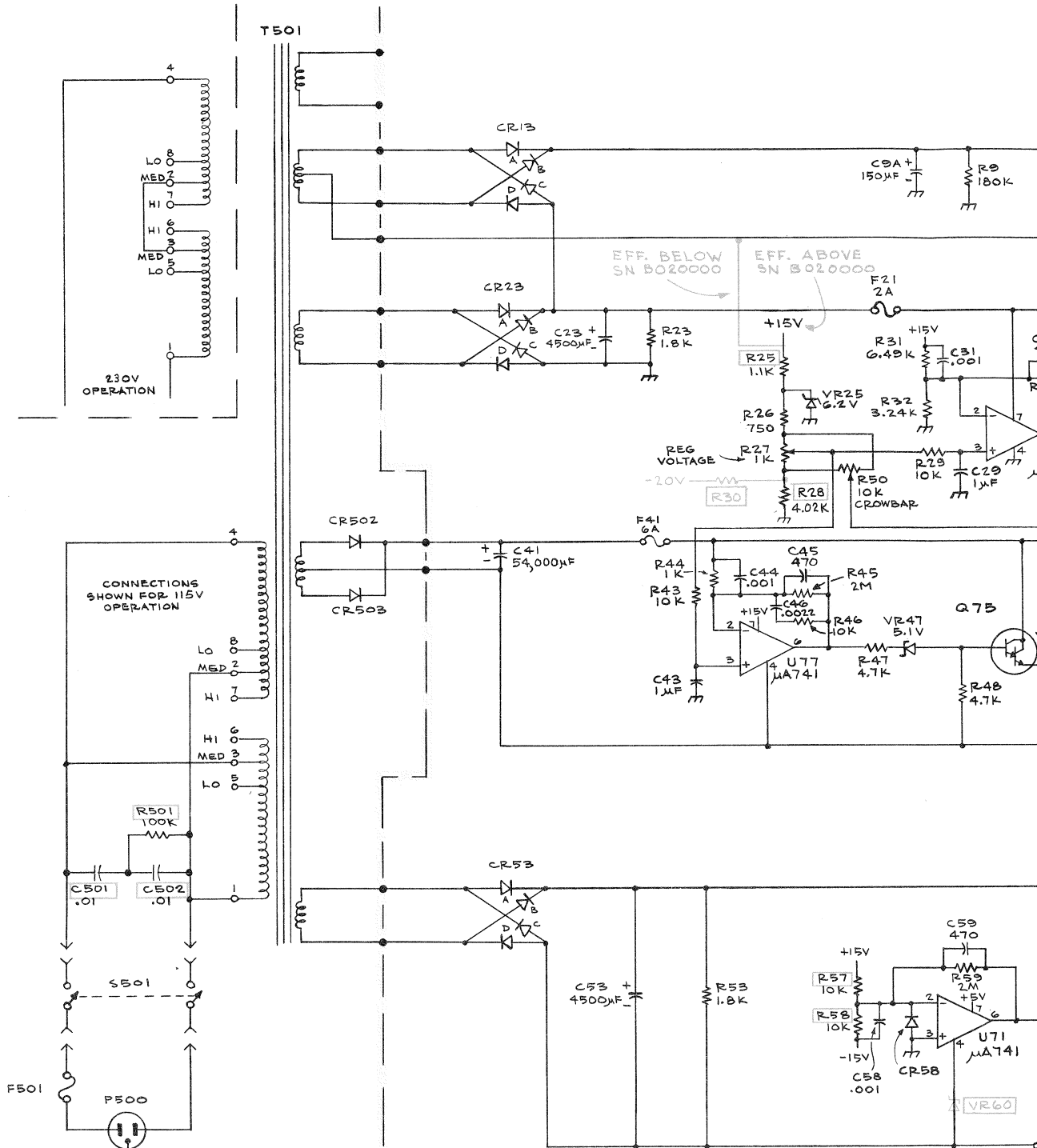
REV. F, APRIL 1976
1183-66

A6 670-1726-02,03,04 LV POWER SUPPLY 11 a 1073



LV Power Supply Component Locations.

1183-43



AG - LOW VOLTAGE POWER SUPPLY BOARD

4010/4010-1

REV. F, APRIL 1976
1183-66