

REPLACEABLE MECHANICAL PARTS

PARTS ORDERING INFORMATION

Replacement parts are available from or through your local Tektronix, Inc. Field Office or representative.

Changes to Tektronix instruments are sometimes made to accommodate improved components as they become available, and to give you the benefit of the latest circuit improvements developed in our engineering department. It is therefore important, when ordering parts, to include the following information in your order: Part number, instrument type or number, serial number, and modification number if applicable.

If a part you have ordered has been replaced with a new or improved part, your local Tektronix, Inc. Field Office or representative will contact you concerning any change in part number.

Change information, if any, is located at the rear of this manual.

SPECIAL NOTES AND SYMBOLS

X000	Part first added at this serial number
00X	Part removed after this serial number

FIGURE AND INDEX NUMBERS

Items in this section are referenced by figure and index numbers to the illustrations.

INDENTATION SYSTEM

This mechanical parts list is indented to indicate item relationships. Following is an example of the indentation system used in the description column.

1	2	3	4	5	Name & Description
					<i>Assembly and/or Component</i>
					<i>Attaching parts for Assembly and/or Component</i>
				---	* ---
					<i>Detail Part of Assembly and/or Component</i>
					<i>Attaching parts for Detail Part</i>
				---	* ---
					<i>Parts of Detail Part</i>
					<i>Attaching parts for Parts of Detail Part</i>
				---	* ---

Attaching Parts always appear in the same indentation as the item it mounts, while the detail parts are indented to the right. Indented items are part of, and included with, the next higher indentation. The separation symbol --- * --- indicates the end of attaching parts.

Attaching parts must be purchased separately, unless otherwise specified.

ITEM NAME

In the Parts List, an Item Name is separated from the description by a colon (:). Because of space limitations, an Item Name may sometimes appear as incomplete. For further Item Name identification, the U.S. Federal Cataloging Handbook H6-1 can be utilized where possible.

ABBREVIATIONS

"	INCH	ELCTRN	ELECTRON	IN	INCH	SE	SINGLE END
#	NUMBER SIZE	ELEC	ELECTRICAL	INCAND	INCANDESCENT	SECT	SECTION
ACTR	ACTUATOR	ELCTLT	ELECTROLYTIC	INSUL	INSULATOR	SEMICOND	SEMICONDUCTOR
ADPTR	ADAPTER	ELEM	ELEMENT	INTL	INTERNAL	SHLD	SHIELD
ALIGN	ALIGNMENT	EPL	ELECTRICAL PARTS LIST	LPHLDR	LAMPHOLDER	SHLDR	SHOULDERED
AL	ALUMINUM	EQPT	EQUIPMENT	MACH	MACHINE	SKT	SOCKET
ASSEM	ASSEMBLED	EXT	EXTERNAL	MECH	MECHANICAL	SL	SLIDE
ASSY	ASSEMBLY	FIL	FILLISTER HEAD	MTG	MOUNTING	SLFLKG	SELF-LOCKING
ATTEN	ATTENUATOR	FLEX	FLEXIBLE	NIP	NIPPLE	SLVG	SLEEVING
AWG	AMERICAN WIRE GAGE	FLH	FLAT HEAD	NON WIRE	NOT WIRE WOUND	SPR	SPRING
BD	BOARD	FLTR	FILTER	OBD	ORDER BY DESCRIPTION	SQ	SQUARE
BRKT	BRACKET	FR	FRAME or FRONT	OD	OUTSIDE DIAMETER	SST	STAINLESS STEEL
BRS	BRASS	FSTNR	FASTENER	OVH	OVAL HEAD	STL	STEEL
BRZ	BRONZE	FT	FOOT	PH BRZ	PHOSPHOR BRONZE	SW	SWITCH
BSHG	BUSHING	FXD	FIXED	PL	PLAIN or PLATE	T	TUBE
CAB	CABINET	GSKT	GASKET	PLSTC	PLASTIC	TERM	TERMINAL
CAP	CAPACITOR	HDL	HANDLE	PN	PART NUMBER	THD	THREAD
CER	CERAMIC	HEX	HEXAGON	PNH	PAN HEAD	THK	THICK
CHAS	CHASSIS	HEX HD	HEXAGONAL HEAD	PWR	POWER	TNSN	TENSION
CKT	CIRCUIT	HEX SOC	HEXAGONAL SOCKET	RCPT	RECEPTACLE	TPG	TAPPING
COMP	COMPOSITION	HLCPS	HELICAL COMPRESSION	RES	RESISTOR	TRH	TRUSS HEAD
CONN	CONNECTOR	HLEXT	HELICAL EXTENSION	RGD	RIGID	V	VOLTAGE
COV	COVER	HV	HIGH VOLTAGE	RLF	RELIEF	VAR	VARIABLE
CPLG	COUPLING	IC	INTEGRATED CIRCUIT	RTNR	RETAINER	W/	WITH
CRT	CATHODE RAY TUBE	ID	INSIDE DIAMETER	SCH	SOCKET HEAD	WSHR	WASHER
DEG	DEGREE	IDENT	IDENTIFICATION	SCOPE	OSCILLOSCOPE	XFMR	TRANSFORMER
DWR	DRAWER	IMPLR	IMPELLER	SCR	SCREW	XSTR	TRANSISTOR

CROSS INDEX MFR. CODE NUMBER TO MANUFACTURER

MFR.CODE	MANUFACTURER	ADDRESS	CITY,STATE,ZIP
0000C	GETTIG ENGINEERING AND MANUFACTURING CO.		SPRINGMILL, PA 16875
00779	AMP, INC.	P. O. BOX 3608	HARRISBURG, PA 17105
00866	GOE ENGINEERING CO., INC.	P. O. BOX 3485	CITY OF INDUSTRY, CA 91746
01295	TEXAS INSTRUMENTS, INC., SEMICONDUCTOR GROUP	P. O. BOX 5012	DALLAS, TX 75222
01963	CHERRY ELECTRICAL PRODUCTS CORP.	3600 SUNSET AVE.	WAUKEGAN, IL 60085
02107	SPARTA MFG. CO.	ROUTE NO. 2, BOX 128	DOVER, OH 44622
02735	RCA CORP., SOLID STATE DIVISION	ROUTE 202	SOMERVILLE, NY 08876
05574	VIKING INDUSTRIES, INC.	21001 NORDOFF STREET	CHATSWORTH, CA 19311
05820	WAKEFIELD ENGINEERING, INC.	AUDUBON ROAD	WAKEFIELD, MA 01880
06915	RICHCO PLASTIC CO.	5825 N. TRIPP AVE.	CHICAGO, IL 60646
06982	MOORE, HOWARD J., CO.	105 E. 16TH ST.	NEW YORK, NY 10003
07109	OAKTRON INDUSTRIES, INC.	704 30TH ST.	MONROE, WI 53566
08261	SPECTRA-STRIP CORP.	7100 LAMPSON AVE.	GARDEN GROVE, CA 92642
12327	FREEWAY CORP.	9301 ALLEN DR.	CLEVELAND, OH 44125
12360	ALBANY PRODUCTS CO., DIV. OF PNEUMO DYNAMICS CORP.	351 CONNECTICUT AVE.	SOUTH NORWALK, CT 06856
16428	BELDEN CORP.	P. O. BOX 1101	RICHMOND, IN 47374
22526	BERG ELECTRONICS, INC.	YOUK EXPRESSWAY	NEW CUMBERLAND, PA 17070
26365	GRIES REPRODUCER CO., DIV. OF COATS AND CLARK INC.	125 BEECHWOOD AVE.	NEW ROCHELLE, NY 10802
27264	MOLEX PRODUCTS CO.	5224 KATRINE AVE.	DOWNERS GROVE, IL 60515
28520	HEYMAN MFG. CO.	147 N. MICHIGAN AVE.	KENILWORTH, NJ 07033
70276	ALLEN MFG. CO.	P. O. DRAWER 570	HARTFORD, CT 06101
70485	ATLANTIC INDIA RUBBER WORKS, INC.	571 W. POLK ST.	CHICAGO, IL 60607
70903	BELDEN CORP.	2000 S BATAVIA AVENUE	GENEVA, IL 60134
71468	ITT CANNON ELECTRIC	666 E. DYER RD.	SANTA ANA, CA 92702
71590	CENTRALAB ELECTRONICS, DIV. OF GLOBE-UNION, INC.	5757 N. GREEN BAY AVE.	MILWAUKEE, WI 53201
71785	TRW ELECTRONIC COMPONENTS, CINCH CONNECTOR OPERATIONS	1501 MORSE AVE.	ELK GROVE VILLAGE, IL 60007
72653	G. C. ELECTRONICS CO., A DIVISION OF HYDROMETALS, INC.	400 S. WYMAN ST.	ROCKFORD, IL 61101
73743	FISCHER SPECIAL MFG. CO.	446 MORGAN ST.	CINCINNATI, OH 45206
74445	HOLO-KROME CO.	31 BROOK ST. WEST	HARTFORD, CT 06110
74921	ITEN FIBRE CO., THE	4001 BENEFIT AVE., P O BOX 9	ASHTABULA, OH 44004
75915	LITTELFUSE, INC.	800 E. NORTHWEST HWY	DES PLAINES, IL 60016
77250	PHEOLL MANUFACTURING CO., DIVISION OF ALLIED PRODUCTS CORP.	5700 W. ROOSEVELT RD.	CHICAGO, IL 60650
78189	ILLINOIS TOOL WORKS, INC. SHAKEPROOF DIVISION	ST. CHARLES ROAD	ELGIN, IL 60120
78553	EATON CORP., ENGINEERED FASTENERS DIV., TINNERMAN PLANT	P O BOX 6688, 8700 BROOKPARK RD.	CLEVELAND, OH 44101
80009	TEKTRONIX, INC.	P. O. BOX 500	BEAVERTON, OR 97005
81044	MILLER, ROBERT E., AND COMPANY, INC.	50 BROADWAY, RM 1103	NEW YORK, NY 10004
83309	ELECTRICAL SPECIALITY CO., SUBSIDIARY OF BELDEN CORP.	213 E. HARRIS AVE.	SOUTH SAN FRANCISCO, CA 9408
83385	CENTRAL SCREW CO.	2530 CRESCENT DR.	BROADVIEW, IL 60153
86044	CALIFORNIA GASKET AND WASHER CO.	1601 W. 134 STREET	GARDENA, CA 90249
89663	REESE, J. RAMSEY, INC.	71 MURRAY ST.	NEW YORK, NY 10007
95354	METHODE MANUFACTURING CORP.	1700 SO. HICKS RD.	ROLLING MEADOWS, IL 60008
95987	WECKESSER CO., INC.	4444 WEST IRVING PARK RD.	CHICAGO, IL 60641
98410	ETC, DIV.	990 E. 67TH STREET	CLEVELAND, OH 44103

Replaceable Mechanical Parts—4010 Maintenance

Fig. & Index No.	Tektronix Part No.	Serial/Model No. Eff	Dscnt	Qty	Name & Description					Mfr Code	Mfr Part Number
					1	2	3	4	5		
1-1	331-0299-01			1	MASK,CRT SCALE:4010					80009	331-0299-01
	331-0299-04			1	MASK,CRT SCALE:4010-1 (ATTACHING PARTS)					80009	331-0299-04
-2	211-0581-00			4	SCREW,MACHINE:6-32 X 0.375 INCH,TRH STL - - - * - - -					83385	OBD
	-----			-	. MASK INCLUDES:						
-3	334-1844-00			1	. PLATE IDENT:4010					80009	334-1844-00
	334-1844-01			1	. PLATE IDENT:4010-1					80009	334-1844-01
	610-0544-00			1	ASSY,KEYBOARD:4010/4010-1 (ATTACHING PARTS)					80009	610-0544-00
-4	211-0507-00	B010100	B049999	6	SCREW,MACHINE:6-32 X 0.312 INCH,PNH STL					83385	OBD
	211-0510-00	B050000		6	SCREW,MACHINE:6-32 X 0.312 INCH,PNH STL					83385	OBD
	210-0006-00			4	WASHER,LOCK:INFL,0.146 IDX 0.288 OD,STL - - - * - - -					78189	1206-00-00-0541C
-5	-----			-	. KEYBOARD ASSEMBLY INCLUDES:						
	-----			1	. KEYBOARD,CMPTR:(SEE A7 EPL) (ATTACHING PARTS)						
-6	211-0516-00			6	. SCREW,MACHINE:6-32 X 0.875 INCH,PNH STL - - - * - - -					83385	OBD
-7	-----			-	. . . CKT BOARD ASSEMBLY INCLUDES:						
	-----			51	. . . SWITCH,KEYBOARD:(SEE S1 THRU S51)						
-8	366-1525-00	B010100	B055574	1	. . . SET,KEYTOP:53 KNOBS					01963	D99-53AB
	366-1664-00	B055575		1	. . . SET,KEYTOP:53 KNOBS					01963	B99-99AC
	366-1525-01			1 PUSHBUTTON:EXCLAMATION POINT/1					01963	028-3081
	366-1525-02			1 PUSHBUTTON:DBL QUOTE/2					01963	028-3082
	366-1525-03			1 PUSHBUTTON:POUND OR NUMBER/3					01963	028-3083
	366-1525-04			1 PUSHBUTTON:PERCENT/5					01963	028-3085
	366-1525-05			1 PUSHBUTTON:AMPERSAND/6					01963	028-3086
	366-1525-06			1 PUSHBUTTON:SINGLE QUOTE/7					01963	028-3087
	366-1525-07			1 PUSHBUTTON:LEFT PARENTHESIS/8					01963	028-3088
	366-1525-08			1 PUSHBUTTON:RIGHT PARENTHESIS/9					01963	028-3089
	366-1525-09			1 PUSHBUTTON:ZERO					01963	028-3090
	366-1525-10			1 PUSHBUTTON:ASTERISK/COLON					01963	028-3091
	366-1525-11			1 PUSHBUTTON:HYPHEN/EQUAL					01963	028-1715
	366-1525-12			1 PUSHBUTTON:PAGE					01963	028-3093
	366-1525-13			1 PUSHBUTTON:ALT MODE					01963	028-3094
	366-1525-14			1 PUSHBUTTON:Q					01963	028-3095
	366-1525-15			1 PUSHBUTTON:W					01963	028-3096
	366-1525-16	B010100	B055574	1 PUSHBUTTON:WRU/E					01963	028-3097
	366-1525-53	B055575		1 PUSHBUTTON:E					01963	028-1957
	366-3098-17	B010100	B055574	1 PUSHBUTTON:TAPE/R					01963	028-3098
	366-1525-54	B055575		1 PUSHBUTTON:R					01963	028-1973
	366-1525-18	B010100	B055574	1 PUSHBUTTON:-TAPE-/T					01963	028-3099
	366-1525-55	B055575		1 PUSHBUTTON:T					01963	028-1975
	366-1525-19			1 PUSHBUTTON:Y					01963	028-3100
	366-1525-20			1 PUSHBUTTON:U					01963	028-3101
	366-1525-21	B010100	B055574	1 PUSHBUTTON:TAB/I					01963	028-3102
	366-1525-56	B055575		1 PUSHBUTTON:I					01963	028-1958
	366-1525-22			1 PUSHBUTTON:UNDERScore/O					01963	028-3103
	366-1525-23			1 PUSHBUTTON:AT SIGN/P					01963	028-3104
	366-1525-24			1 PUSHBUTTON:LINE FEED					01963	028-3105
	366-1525-25			1 PUSHBUTTON:RETURN					01963	028-2968
	366-1525-26			1 PUSHBUTTON:CTRL					01963	028-3106
	366-1525-27			1 PUSHBUTTON:A					01963	028-3107
366-1525-28	B010100	B055574	1 PUSHBUTTON:X OFF/S					01963	028-3108	
366-1525-58	B055575		1 PUSHBUTTON:S					01963	028-1974	
366-1525-29	B010100	B055574	1 PUSHBUTTON:EOT/D					01963	028-3109	
366-1525-59	B055575		1 PUSHBUTTON:D					01963	028-1953	
366-1525-30			1 PUSHBUTTON:F					01963	028-3110	
366-1525-31			1 PUSHBUTTON:G					01963	028-3111	
366-1525-32			1 PUSHBUTTON:H					01963	028-3112	
366-1525-33			1 PUSHBUTTON:J					01963	028-3113	

Replaceable Mechanical Parts—4010 Maintenance

Fig. & Index No.	Tektronix Part No.	Serial/Model No. Eff	Dscnt	Qty	Name & Description					Mfr	
					1	2	3	4	5	Code	Mfr Part Number
1-	366-1525-34			1	.	.	.	PUSHBUTTON:LEFT BRACKET/K	01963	028-3114	
	366-1525-35	B010100	B055574	1	.	.	.	PUSHBUTTON:FORM/L	01963	028-3115	
	366-1525-57	B055575		1	.	.	.	PUSHBUTTON:L	01963	028-4696	
	366-1525-36			1	.	.	.	PUSHBUTTON:PLUS/SEMI-COLON	01963	028-3116	
	366-1525-37			1	.	.	.	PUSHBUTTON:RUB OUT	01963	028-3117	
	366-1525-38			1	.	.	.	PUSHBUTTON:RESET	01963	028-3118	
	366-1525-39			1	.	.	.	PUSHBUTTON:BREAK	01963	028-3119	
	366-1525-40			2	.	.	.	PUSHBUTTON:SHIFT	01963	028-2967	
	366-1525-41			1	.	.	.	PUSHBUTTON:Z	01963	028-3120	
	366-1525-42			1	.	.	.	PUSHBUTTON:X	01963	028-3121	
	366-1525-43			1	.	.	.	PUSHBUTTON:C	01963	028-3122	
	366-1525-44			1	.	.	.	PUSHBUTTON:V	01963	028-3123	
	366-1525-45			1	.	.	.	PUSHBUTTON:B	01963	028-3124	
	366-1525-46			1	.	.	.	PUSHBUTTON:TILDE/N	01963	028-3125	
	366-1525-47			1	.	.	.	PUSHBUTTON:RIGHT BRACKET/M	01963	028-3126	
	366-1525-48			1	.	.	.	PUSHBUTTON:LESS THAN/COMMA	01963	028-3127	
	366-1525-49			1	.	.	.	PUSHBUTTON:GREATER THAN/PERIOD	01963	028-3128	
	366-1525-50			1	.	.	.	PUSHBUTTON:SLASH/QUESTION MARK	01963	028-3129	
	366-1525-51			1	.	.	.	PUSHBUTTON:SPACE BAR	01963	028-1232	
	366-1525-52			1	.	.	.	PUSHBUTTON:DOLLAR SIGN/4	01963	028-3084	
	119-0423-00			1	.	.	.	SPACE BAR ASSY:	01963	99-0003	
-9	-----			1	.	.	.	SW,ROCKER:LOCAL LINE(SEE S535 EPL)			
	-----			2	.	.	.	SW,ROCKER:AUX 1,AUX 2(SEE S536,S537 EPL)			
								(ATTACHING PARTS FOR EACH)			
-10	210-0406-00			2	.	.	.	NUT,PLAIN,HEX.:4-40 X 0.188 INCH,BRS	73743	2X12161-402	
-11	210-0004-00			2	.	.	.	WASHER,LOCK:INTL,0.12 ID X 0.26"OD,STL	78189	1204-00-00-0541C	
-12	166-0024-00			2	.	.	.	SPACER,SLEEVE:0.133 ID X 0.125 INCH L,BRS	71590	P1646XS	
								- - - * - - -			
-13	-----			1	.	.	.	SW,ROCKER:MAKE COPY(SEE S538 EPL)			
								(ATTACHING PARTS)			
	210-0406-00			2	.	.	.	NUT,PLAIN,HEX.:4-40 X 0.188 INCH,BRS	73743	2X12161-402	
	210-0004-00			2	.	.	.	WASHER,LOCK:INTL,0.12 ID X 0.26"OD,STL	78189	1204-00-00-0541C	
	166-0024-00			2	.	.	.	SPACER,SLEEVE:0.133 ID X 0.125 INCH L,BRS	71590	P1646XS	
								- - - * - - -			
-14	366-0128-00	B010100	B019999	2	.	.	.	KNOB:THUMBWHEEL	80009	366-0128-00	
	366-0128-01	B020000		2	.	.	.	KNOB:THUMBWHEEL	80009	366-0128-01	
	-----							EACH KNOB INCLUDES:			
	213-0076-00			1	.	.	.	SETScrew:2-56 X 0.125 INCH,HEX.SOC STL	74445	OBD	
-15	-----			2	.	.	.	RES.,VAR:(SEE R530,R532 EPL)			
								(ATTACHING PARTS FOR EACH)			
-16	210-0583-00			2	.	.	.	NUT,PLAIN,HEX.:0.25-32 X 0.312 INCH,BRS	73743	2X20224-402	
-17	210-0046-00			1	.	.	.	WASHER,LOCK:INTL,0.26 ID X 0.40" OD,STL	78189	1214-05-00-0541C	
								- - - * - - -			
-18	407-0994-00			1	.	.	.	BRACKET,ANGLE:RESISTOR MTG	80009	407-0994-00	
								(ATTACHING PARTS)			
-19	210-0586-00			2	.	.	.	NUT,PLAIN,EXT W:4-40 X 0.25 INCH,STL	78189	OBD	
								- - - * - - -			
-20	386-2096-00	B010100	B049999	1	.	.	.	PANEL,KEYBOARD:	80009	386-2096-00	
	386-2868-00	B050000		1	.	.	.	PANEL,KEYBOARD:	80009	386-2868-00	
-21	179-1762-00			1	.	.	.	WIRING HARNESS:KEYBOARD	80009	179-1762-00	
-22	131-0707-00			6	.	.	.	CONTACT,ELEC:0.48"L,22-26 AWG WIRE	22526	47439	
-23	131-0621-00			14	.	.	.	CONTACT,ELEC:0.577"L,22-26 AWG WIRE	22526	46231	
-24	352-0169-00			3	.	.	.	CONN BODY,PL,EL:2 WIRE BLACK	80009	352-0169-00	
-25	352-0199-00			1	.	.	.	CONN BODY,PL,EL:3 WIRE BLACK	80009	352-0199-00	
-26	352-0203-00			1	.	.	.	CONN BODY,PL,EL:7 WIRE BLACK	80009	352-0203-00	
-27	352-0204-00			1	.	.	.	CONN BODY,PL,EL:8 WIRE BLACK	80009	352-0204-00	
-28	343-0003-00			1	.	.	.	CLAMP,LOOP:0.25 INCH DIA	95987	1-4 6R	
								(ATTACHING PARTS)			
-29	211-0014-00			1	.	.	.	SCREW,MACHINE:4-40 X 0.50 INCH,PNH STL	83385	OBD	
-30	210-0851-00			1	.	.	.	WASHER,FLAT:0.119 ID X 0.375 INCH OD,STL	12327	OBD	
-31	210-0586-00			1	.	.	.	NUT,PLAIN,EXT W:4-40 X 0.25 INCH,STL	78189	OBD	
								- - - * - - -			

Replaceable Mechanical Parts—4010 Maintenance

Fig. & Index No.	Tektronix Part No.	Serial/Model No. Eff	Dscnt	Qty	Name & Description					Mfr	
					1	2	3	4	5	Code	Mfr Part Number
1-32	214-0702-00			1	KEY,CONN PLZN:T SHAPED MOLD ACETAL					80009	214-0702-00
	179-1757-02	B010100	B059999	1	WIRING HARNESS:MAIN,W/CONN					80009	179-1757-02
	179-1757-04	B060000		1	WIRING HARNESS:MAIN,W/CONN					80009	179-1757-04
-33	136-0148-00			1	. CONNECTOR,RCPT,:15 PIN					05574	2VK15S/1-2
	179-1757-00	B010100	B019999	1	. WIRING HARNESS:MAIN					80009	179-1757-00
	179-1757-01	B020000	B059999	1	. WIRING HARNESS:MAIN					80009	179-1757-01
	179-1757-03	B060000		1	. WIRING HARNESS:MAIN					80009	179-1757-03
-34	131-0621-00	B010100	B019999	107	. . CONTACT,ELEC:0.577"L,22-26 AWG WIRE					22526	46231
	131-0621-00	B020000		105	. . CONTACT,ELEC:0.577"L,22-26 AWG WIRE					22526	46231
	131-0622-00	B010100	B019999	4	. . CONTACT,ELEC:0.577"L,28-32 AWG WIRE					22526	46241
	131-0622-00	B020000		6	. . CONTACT,ELEC:0.577"L,28-32 AWG WIRE					22526	46241
	131-0792-00	B010100	B019999	15	. . CONTACT,ELEC:0.577"L,18-20 AWG WIRE					22526	46221
	131-0792-00	B020000		14	. . CONTACT,ELEC:0.577"L,18-20 AWG WIRE					22526	46221
-35	352-0197-00			2	. . CONN BODY,PL,EL:1 WIRE BLACK					80009	352-0197-00
-36	352-0198-00			6	. . CONN BODY,PL,EL:2 WIRE BLACK					80009	352-0198-00
	352-0199-00			5	. . CONN BODY,PL,EL:3 WIRE BLACK					80009	352-0199-00
-37	352-0200-00			2	. . CONN BODY,PL,EL:4 WIRE BLACK					80009	352-0200-00
-38	352-0201-00	B010100	B019999	5	. . CONN BODY,PL,EL:5 WIRE BLACK					80009	352-0201-00
	352-0201-00	B020000		4	. . CONN BODY,PL,EL:5 WIRE BLACK					80009	352-0201-00
-39	352-0202-00	B010100	B019999	2	. . CONN BODY,PL,EL:6 WIRE BLACK					80009	352-0202-00
	352-0202-00	B020000		3	. . CONN BODY,PL,EL:6 WIRE BLACK					80009	352-0202-00
	352-0203-00			2	. . CONN BODY,PL,EL:7 WIRE BLACK					80009	352-0203-00
	352-0204-00			1	. . CONN BODY,PL,EL:8 WIRE BLACK					80009	352-0204-00
-40	352-0206-00			4	. . CONN BODY,PL,EL:10 WIRE BLACK					80009	352-0206-00
-41	200-0811-00			1	. . COVER,SKT TERM.:					80009	200-0811-00
-42	136-0271-00			1	. . SOCKET,PLUG-IN:7 PIN					71785	111-01-10-012
-43	407-0997-00			2	BRACKET,ANGLE:IMP SHIELD RET,9 INCH LONG (ATTACHING PARTS FOR EACH)					80009	407-0997-00
-44	211-0065-00			2	SCREW,MACHINE:4-40 X 0.188 INCH,PNH STL - - - * - - -					77250	OBD
	-----			-	. EACH BRACKET INCLUDES:						
-45	124-0050-00			1	. PLASTIC STRIP:0.75W X 9.875" LG,FOAM TAPE					80009	124-0050-00
-46	426-0834-00	B010100	B021669	1	FR,IMPLOSION SH:					80009	426-0834-00
	426-0834-01	B021670		1	FR,IMPLOSION SH: (ATTACHING PARTS)					80009	426-0834-01
-47	210-0445-00			4	NUT,PLAIN,HEX.:10-32 X 0.375 INCH,STL					83385	OBD
-48	361-0168-00			4	SPACER,SLEEVE:0.198 ID X 0.250 OD X 0.986"L					80009	361-0168-00
-49	344-0233-00			4	CLIP,ELECTRICAL:CRT - - - * - - -					80009	344-0233-00
-50	337-1608-00 ¹			1	SHLD,IMPLOSION:					80009	337-1608-00
	337-1482-00 ²			1	SHLD,IMPLOSION:					80009	337-1482-00
-51	386-2100-00			1	SUPPORT,CRT:FRONT (ATTACHING PARTS)					80009	386-2100-00
	211-0507-00			4	SCREW,MACHINE:6-32 X 0.312 INCH,PNH STL					83385	OBD
	210-0006-00			4	WASHER,LOCK:INTL,0.146 IDX 0.288 OD,STL - - - * - - -					78189	1206-00-00-0541C
-52	-----			1	CRT ASSY:(SEE V1 EPL)						
-53	354-0316-01			1	. RING,CRT MTG:NEOPRENE					80009	354-0316-01
	175-1314-00	B010100	B059999	1	. CA ASSY,SP,ELEC:					80009	175-1314-00
-54	131-1187-00	B010100	B059999	1	. . COVER,CONN,PLUG:					95354	C-850-1V
-55	131-1188-00	B010100	B059999	1	. . CONNECTOR,PLUG,:7 PIN,MINIATURE					95354	MM-850
-56	175-0830-00	B010100	B059999	FT	. . WIRE,ELECTRICAL:7 WIRE RIBBON					08261	TEK-175-0830-00
	136-0538-00	B060000		1	SKT,PLUG-IN ELEC:ANODE ASSEMBLY					80009	136-0538-00
	131-1188-00			1	. CONNECTOR,PLUG,:7 PIN,MINIATURE					95354	MM-850
	131-1187-00			2	. COVER,CONN,PLUG:					95354	C-850-1V
	175-0830-00			FT	. WIRE,ELECTRICAL:7 WIRE RIBBON					08261	TEK-175-0830-00
	136-0271-00	XB060000		1	. SOCKET,PLUG-IN:7 PIN					71785	111-01-10-012
-57	348-0013-00	XB010174		8	FOOT,CABINET:BLACK RUBBER					70485	1561
-58	337-1519-00	XB010174		1	SHLD,ELCTR NUB:FRONT (ATTACHING PARTS)					80009	337-1519-00
-59	211-0507-00	XB010174		4	SCREW,MACHINE:6-32 X 0.312 INCH,PNH STL - - - * - - -					83385	OBD

¹4010 only
²4010-1 only

Replaceable Mechanical Parts—4010 Maintenance

Fig. & Index No.	Tektronix Part No.	Serial/Model No. Eff	Dscnt	Qty	Name & Description					Mfr Code	Mfr Part Number
					1	2	3	4	5		
1-60	386-2097-00			1	SUPPORT,CRT:CENTER (ATTACHING PARTS)					80009	386-2097-00
	212-0023-00			4	SCREW,MACHINE:8-32 X 0.375 INCH,PNH STL					83385	OBD
	210-0008-00			4	WASHER,LOCK:INTL,0.172 ID X 0.331"OD,STL					78189	1208-00-00-0541C
-61	210-0457-00			2	NUT,PLAIN,EXT W:6-32 X 0.312 INCH,STL					83385	OBD
-62	210-0805-00			2	WASHER,FLAT:0.204 ID X 0.438 INCH OD,STL - - - * - - -					12327	OBD
-63	----- ¹			1	CKT BOARD ASSY:HARD COPY(SEE A9 EPL) (ATTACHING PARTS)						
-64	211-0116-00 ¹			2	SCR,ASSEM WSHR:4-40 X 0.312 INCH,PNH BRS - - - * - - -					83385	OBD
	----- ¹			-	. CKT BOARD ASSEMBLY INCLUDES:						
-65	131-1233-00 ¹			7	. CONTACT,ELEC:0.340 INCH LONG					80009	131-1233-00
-66	214-0579-00 ¹			9	. TERM.,TEST PT:0.40 INCH LONG					80009	214-0579-00
-67	131-0589-00 ¹			5	. CONTACT,ELEC:0.46 INCH LONG					22526	47350
-68	352-0125-00 ¹			3	. HOLDER,TOROID:MOLD ACETAL					80009	352-0125-00
-69	131-0633-00 ¹	B010100	B010232	3	. CONTACT,ELEC:0.385 INCH LONG					80009	131-0633-00
	214-0506-00 ¹	B010233		3	. CONTACT,ELEC:0.045 SQ X 0.375 INCH L					80009	214-0506-00
-70	136-0058-00 ¹			1	. SOCKET,PLUG-IN:7 PIN					71785	111-51-11-014
-71	343-0003-00 ¹			1	CLAMP,LOOP:0.25 INCH DIA (ATTACHING PARTS)					95987	1-4-6R
-72	211-0097-00 ¹			1	SCREW,MACHINE:4-40 X 0.312 INCH,PNH STL					83385	OBD
-73	210-1001-00 ¹			1	WASHER,FLAT:0.119 ID X 0.375" OD,BRS					12360	OBD
-74	210-0863-00 ¹			1	WSHR,LOOP CLAMP:FOR 0.50" WIDE CLAMP,STL - - - * - - -					95987	C191
-75	119-0352-00			1	COIL,TUBE DEFL: (ATTACHING PARTS)					80009	119-0352-00
-76	212-0023-00			2	SCREW,MACHINE:8-32 X 0.375 INCH,PNH STL					83385	OBD
-77	210-0458-00			2	NUT,PLAIN,EXT W:8-32 X 0.344 INCH,STL - - - * - - -					83385	OBD
	-----			-	. YOKE ASSEMBLY INCLUDES:						
-78	348-0012-00			1	. GROMMET,RUBBER:					72653	1043-1M
-79	131-0792-00			4	. CONTACT,ELEC:0.577" L,18-20 AWG WIRE					22526	46221
-80	352-0202-00			1	. CONN BODY,PL,EL:6 WIRE BLACK					80009	352-0202-00
	407-1418-00	XB040000	B055199	1	BRACKET,YOKE:					80009	407-1418-00
	407-1418-01	B055200		1	BRACKET,YOKE:					80009	407-1418-01
-81	337-1520-00	B010100	B039999	1	SHIELD SECT,CRT:REAR					80009	337-1520-00
	337-1520-02	B040000		1	SHIELD SECT,CRT:REAR					80009	337-1520-02

¹
4010-1 only

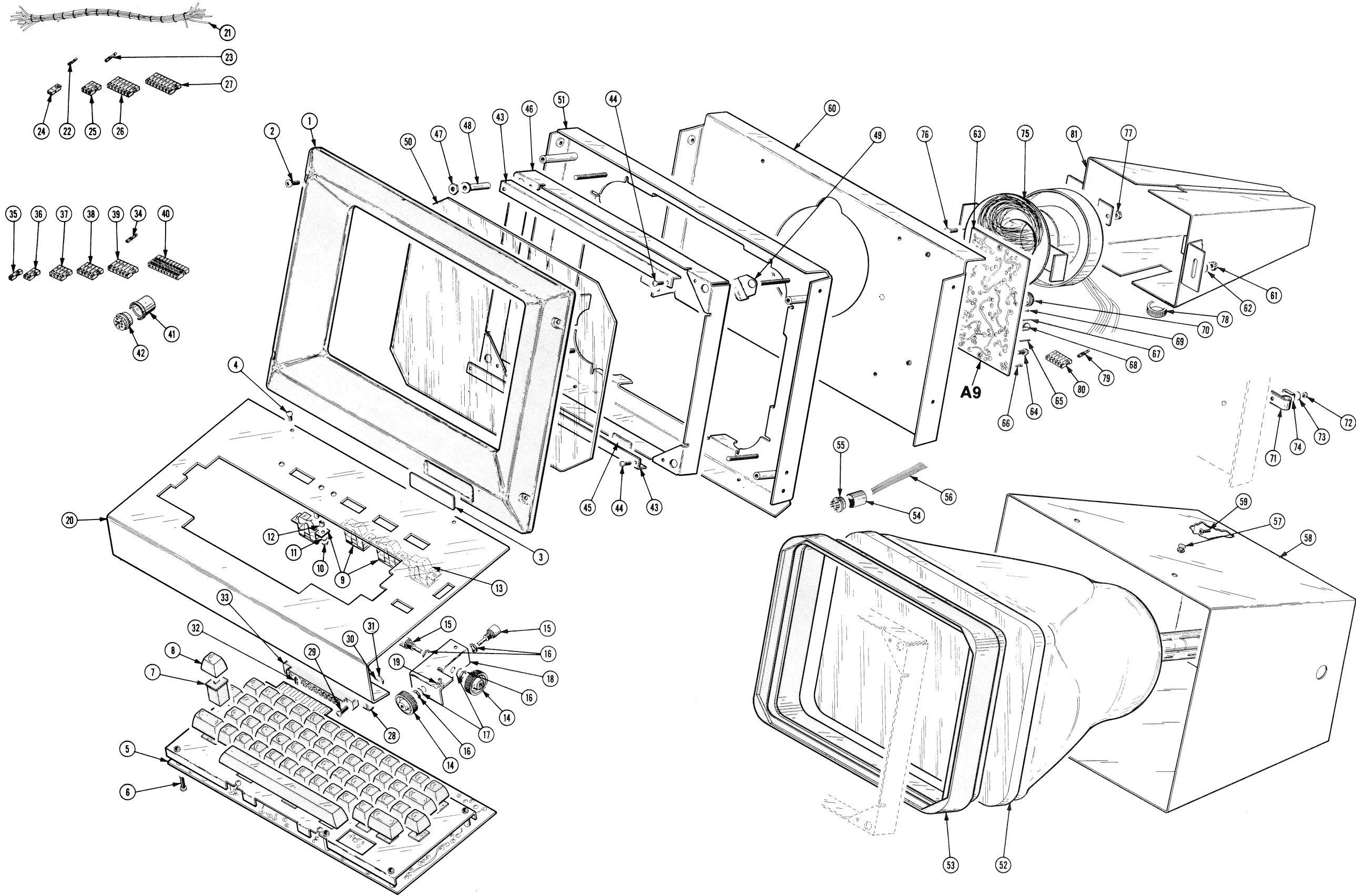
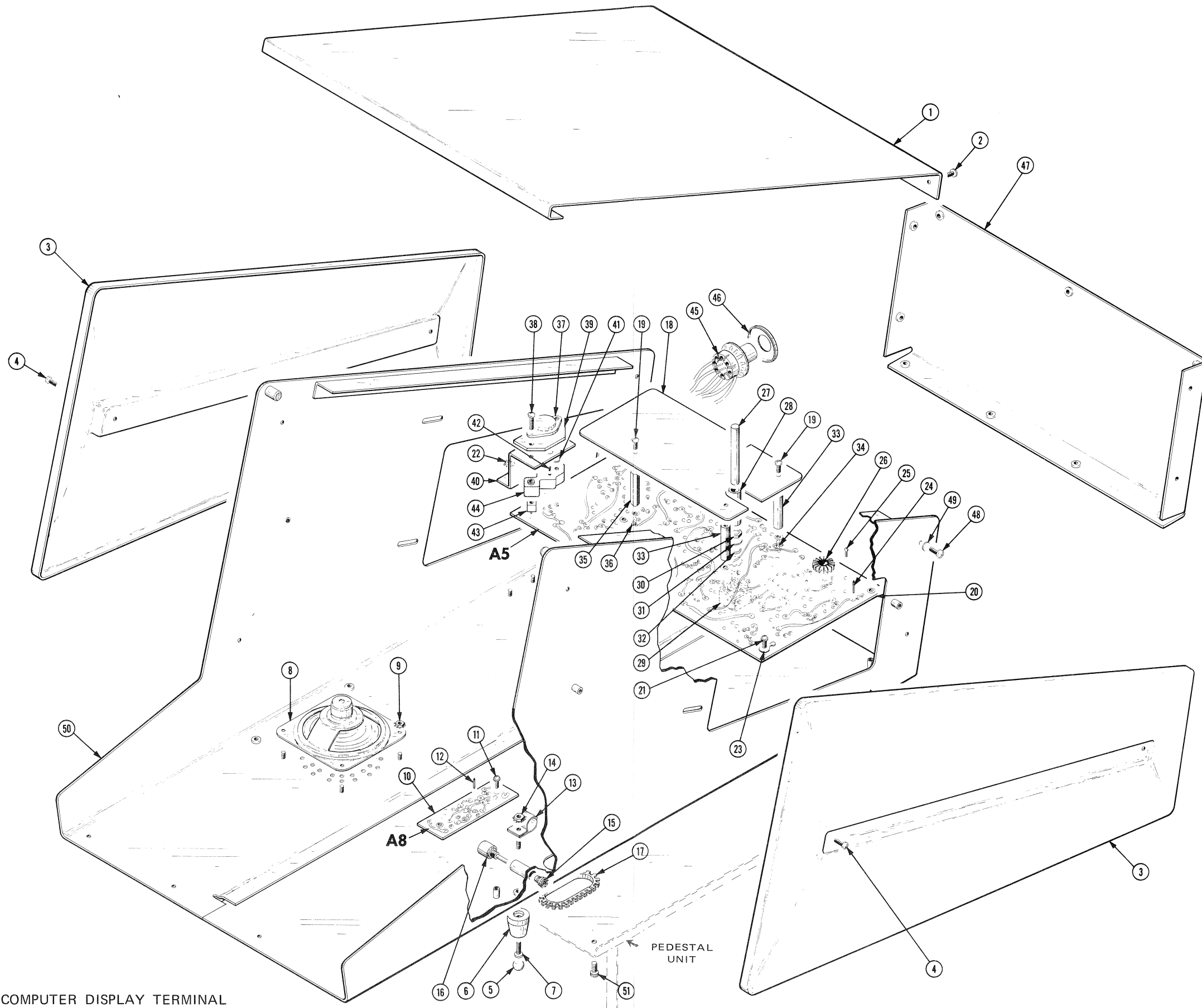


FIG. 2 DISPLAY UNIT CABINET
& HIGH VOLTAGE



Replaceable Mechanical Parts—4010 Maintenance

Fig. & Index No.	Tektronix Part No.	Serial/Model No. Eff	Dscnt	Qty	1 2 3 4 5					Name & Description	Mfr Code	Mfr Part Number
2-1	390-0236-00			1						CAB. TOP,DSPL UN: (ATTACHING PARTS)	80009	390-0236-00
-2	211-0540-00			3						SCREW,MACHINE:6-32 X 0.50 INCH,TRH STL - - - * - - -	83385	OBD
	334-2146-00			1						PLATER,IDENT:LEFT	80009	334-2146-00
	334-2147-00			1						PLATER,IDENT:RIGHT	80009	334-2147-00
-3	200-1290-01			2						COVER,SIDE TRIM: (ATTACHING PARTS FOR EACH)	80009	200-1290-01
-4	211-0540-00			2						SCREW,MACHINE:6-32 X 0.50 INCH,TRH STL - - - * - - -	83385	OBD
-5	348-0015-00			4						BUMPER,RUBBER:BLACK,0.4375 INCH DIA	70485	1732
-6	348-0014-00			4						FOOT,CABINET:BLACK PLASTIC (ATTACHING PARTS FOR EACH)	80009	348-0014-00
-7	211-0513-00			1						SCREW,MACHINE:6-32 X 0.625 INCH,PNH STL - - - * - - -	83385	OBD
-8	119-0305-00			1						LOUDSPEAKER,PM:PERMANENT MAGNET,45 OHM,2W (ATTACHING PARTS)	07109	35A45C
-9	210-0457-00			4						NUT,PLAIN,EXT:6-32 X 0.312 INCH,STL - - - * - - -	83385	OBD
-10	-----			1						CKT BOARD ASSY:DISPLAY INTERCONNECT(SEE A8 EPL) (ATTACHING PARTS)		
-11	211-0116-00			2						SCR,ASSEM WSHR:4-40 X 0.312 INCH,PNH BRS - - - * - - -	83385	OBD
	-----			-						. CKT BOARD ASSEMBLY INCLUDES:		
-12	131-0589-00			41						. CONTACT,ELEC:0.46 INCH LONG	22526	47350
-13	343-0603-01			1						CLAMP,LOOP:0.5 INCH DIA (ATTACHING PARTS)	80009	343-0603-01
-14	210-0457-00			1						NUT,PLAIN,EXT W:6-32 X 0.312 INCH,STL - - - * - - -	83385	OBD
-15	366-0261-00			1						KNOB:0.312 OD X 0.406 INCH LONG	80009	366-0261-00
	214-0949-00			1						. SPR,HLCL,TRSN:0.282" OD X 0.125" LONG	80009	214-0949-00
-16	-----			1						RES.,VAR:HARD COPY INTENSITY(SEE R103 EPL) (ATTACHING PARTS)		
	213-0020-00			1						SETSCREW:6-32 X 0.125 INCH,HEX.SOC STL - - - * - - -	70276	OBD
-17	255-0334-00			1						PLASTIC CHANNEL:0.667 FT LONG	80009	255-0334-00
-18	337-1518-00	B010100	B059999	1						SHIELD,ELEC:HIGH VOLTAGE	80009	337-1518-00
	337-1518-01	B060000		1						SHIELD,ELEC:HIGH VOLTAGE (ATTACHING PARTS)	80009	337-1518-01
-19	211-0097-00			3						SCREW,MACHINE:4-40 X 0.312 INCH,PNH STL - - - * - - -	83385	OBD
-20	-----			1						CKT BOARD ASSY:HV AND Z AXIS(SEE A5 EPL) (ATTACHING PARTS)		
-21	211-0116-00			5						SCR,ASSEM WSHR:4-40 X 0.312 INCH,PNH BRS	83385	OBD
-22	210-0586-00			2						NUT,PLAIN,EXT W:4-40 X 0.25 INCH,STL	78189	OBD
-23	210-0201-00			1						TERMINAL,LUG:SE #4	78189	2104-04-00-2520N
	211-0040-00	XB010370		1						SCREW,MACHINE:4-40 X 0.25",BDGH PLSTC - - - * - - -	26365	OBD
	-----			-						. CKT BOARD ASSEMBLY INCLUDES:		
-24	131-0589-00			28						. CONTACT,ELEC:0.46 INCH LONG	22526	47350
-25	214-0579-00			1						TERM.,TEST PT:0.40 INCH LONG	80009	214-0579-00
-26	214-1292-00			2						HEAT SINK,ELEC:TRANSISTOR	05820	205-AB
-27	129-0369-00			1						INSULATOR,STDF:1.370 INCH,W/4-40 THREAD	80009	129-0369-00
-28	376-0011-00			1						CPLG,SHAFT,RGD:1.266 INCH LONG,NYLON	80009	376-0011-00
	213-0048-00			2						. SETSCREW:4-40 X 0.125 INCH,HEX. SOC STL	74445	OBD
-29	-----			1						RES.,VAR:FOCUS(SEE R64 EPL) (ATTACHING PARTS)		
-30	210-0413-00			1						NUT,PLAIN,HEX.:0.375-32 X 0.50 INCH,STL	73743	3145-402
-31	210-0840-00			1						WASHER,FLAT:0.39 ID X 0.562 INCH OD,STL	89663	644R
-32	210-0012-00			1						WASHER,LOCK:INTL,0.375 ID X 0.50" OD STL - - - * - - -	78189	1220-02-00-0541C
-33	129-0369-00			2						INSULATOR,STDF:1.370 INCH,W/4-40 THREAD (ATTACHING PARTS FOR EACH)	80009	129-0369-00
-34	211-0040-00			1						SCREW,MACHINE:4-40 X 0.25",BDGH PLSTC - - - * - - -	26365	OBD

Replaceable Mechanical Parts—4010 Maintenance

Fig. & Index No.	Tektronix Part No.	Serial/Model No. Eff	Dscnt	Qty	1 2 3 4 5	Name & Description	Mfr	
							Code	Mfr Part Number
2-35	384-0616-00			1	.	POST,ELEC-MECH:HEX,0.25 X 1.370 INCH LONG (ATTACHING PARTS)	80009	384-0616-00
-36	211-0097-00			1	.	SCREW,MACHINE:4-40 X 0.312 INCH,PNH STL -----*	83385	OBD
-37	-----			1	.	TRANSISTOR:(SEE Q101 EPL) (ATTACHING PARTS)		
-38	211-0513-00	B010100	B020109	2	.	SCREW,MACHINE:6-32 X 0.625 INCH,PNH STL	83385	OBD
	211-0511-00	B020110		2	.	SCREW,MACHINE:6-32 X 0.50 INCH,PNH STL -----*	83385	OBD
-39	214-1610-00			1	.	HEAT SINK,ELEC:TRANSISTOR	80009	214-1610-00
-40	407-0993-00			1	.	BRACKET,XSTR:	80009	407-0993-00
-41	166-0203-00			1	.	SPACER,SLEEVE:0.18 ID X 0.062 L,PLSTC	80009	166-0203-00
-42	131-0847-00			2	.	TERMINAL STUD:6-32 X 0.435 INCH LONG	80009	131-0847-00
-43	136-0384-00			2	.	CONTACT,ELEC:FOR 0.04 DIAMETER PIN	00779	52120
-44	136-0361-00			1	.	SOCKET,PLUG-IN:	80009	136-0361-00
	136-0486-00			1	.	SKT,PL-IN ELEK:CRT ASSEMBLY	80009	136-0486-00
-45	136-0278-00			1	.	SOCKET,PLUG-IN:WITH PINS	80009	136-0278-00
	204-0322-00			1	.	BODY,CRT SOCKET:	80009	204-0322-00
	214-0464-00			7	.	CONTACT,ELEC:CRT	80009	214-0464-00
-46	200-0801-00	B010100	B010374X	1	.	COVER,SOCKET,PL:ELECTRON TUBE,PLASTIC	80009	200-0801-00
	386-2071-00	B010100	B010369	1	.	SUPPORT,CKT CD:0.875 INCH LONG	06915	CBS-14R
	129-0080-00	B010370		1	.	POST,ELEC-MECH:0.875 INCH LONG (ATTACHING PARTS)	80009	129-0080-00
	211-0009-00	XB010370		1	.	SCREW,MACHINE:4-40 X 0.250 INCH,OVH STL -----*	83385	OBD
-47	386-2099-00	B010100	B049999	1	.	PANEL,REAR:	80009	386-2099-00
	386-2867-00	B050000		1	.	PANEL,REAR: (ATTACHING PARTS)	80009	386-2867-00
-48	211-0507-00	B010100	B049999	6	.	SCREW,MACHINE:6-32 X 0.312 INCH,PNH STL	83385	OBD
	211-0510-00	B050000		6	.	SCREW,MACHINE:6-32 X 0.312 INCH,PNH STL	83385	OBD
-49	210-0006-00			6	.	WASHER,LOCK:INTL,0.146 IDX 0.288 OD,STL -----*	78189	1206-00-00-0541C
-50	437-0127-00	B010100	B049999	1	.	CAB.,DSPL UNIT:	80009	437-0127-00
	437-0136-00	B050000		1	.	CAB.,DSPL UNIT: (ATTACHING PARTS)	80009	437-0136-00
-51	212-0507-00			4	.	SCREW,MACHINE:10-32 X 0.375 INCH,PNH STL -----*	83385	OBD

Replaceable Mechanical Parts—4010 Maintenance

Fig. & Index No.	Tektronix Part No.	Serial/Model No. Eff	Dscnt	Qty	1 2 3 4 5	Name & Description	Mfr	
							Code	Mfr Part Number
3-1	200-1287-00	B010100	B019999	1		COVER, ACCESS: PEDESTAL, FRONT:	80009	200-1287-00
	200-1287-01	B020000	B059999	1		COVER, ACCESS: PEDESTAL, FRONT	80009	200-1287-01
	200-1287-02	B060000		1		COVER, ACCESS: PEDESTAL, FRONT (ATTACHING PARTS)	80009	200-1287-02
-2	213-0302-00			6		SCREW, TPG, TF: 6-20 X 0.50 INCH, PNH STL - - - * - - -	83385	OBD
	-----			-		. FRONT COVER INCLUDES:		
-3	348-0102-00			2		. PAD, CUSHIONING: 13.76 INCH LONG (CUT TO FIT)	80009	348-0102-00
-4	352-0102-00			1		FUSEHOLDER: 0.262" ID TUBE FOR CRTG FUSE (ATTACHING PARTS)	80009	352-0102-00
-5	210-0406-00			2		NUT, PLAIN, HEX.: 4-40 X 0.188 INCH, BRS	73743	2X12161-402
-6	210-0004-00			2		WASHER, LOCK: INTL, 0.12 ID X 0.26" OD, STL - - - * - - -	78189	1204-00-00-0541C
-7	386-2085-00	B010100	B049999	1		PLATE, MOUNTING: TOP	80009	386-2085-00
	386-2869-00	B050000		1		PLATE, MOUNTING: TOP (ATTACHING PARTS)	80009	386-2869-00
-8	212-0043-00			4		SCREW, MACHINE: 8-32 X 0.500 INCH, FLH STL - - - * - - -	83385	OBD
-9	200-1288-00			1		COVER, ACCESS: REAR (ATTACHING PARTS)	80009	200-1288-00
-10	213-0302-00			4		SCREW, TPG, TF: 6-20 X 0.50 INCH, PNH STL - - - * - - -	83385	OBD
-11	200-1350-00			1		PLATE, COVER: REAR (ATTACHING PARTS)	80009	200-1350-00
-12	211-0638-00			4		SCREW, MACHINE: 6-32 X 0.738 INCH, THS - - - * - - -	83385	OBD
-13	-----			1		CKT BOARD ASSY: TC-2 (SEE A2 EPL)		
-14	131-0608-00			15		. CONTACT, ELEC: 0.365 INCH LONG	22526	47357
	131-0787-00			13		. CONTACT, ELEC: 0.64 INCH LONG	22526	47359
-15	131-0993-00			1		. LINK, TERM. CONNE: 2 WIRE BLACK	00779	530153-2
	131-1207-00			1		. LINK, TERM. CONNE:	80009	131-1207-00
-16	131-0707-00			2		. CONTACT, ELEC: 0.48" L, 22-26 AWG WIRE	22526	47439
-17	352-0162-00			1		. CONN BODY, PL, EL: 4 WIRE BLACK	80009	352-0162-00
-18	-----			1		CKT BOARD ASSY: TC-1 (SEE A1 EPL)		
-19	131-0608-00			7		. CONTACT, ELEC: 0.365 INCH LONG	22526	47357
-20	131-0993-00			2		. LINK, TERM. CONNE: 2 WIRE BLACK	00779	530153-2
-21	-----			1		CKT BD ASSY: DEFLECTION AMP/STORAGE (SEE A4 EPL) (ATTACHING PARTS)		
-22	211-0638-00			3		SCREW, MACHINE: 6-32 X 0.738 INCH, THS - - - * - - -	83385	OBD
	-----			-		CKT BOARD ASSEMBLY INCLUDES:		
-23	131-0608-00			7		. CONTACT, ELEC: 0.365 INCH LONG	22526	47357
-24	131-0993-00 ¹			3		. LINK, TERM. CONNE: 2 WIRE BLACK	00779	530153-2
	131-0993-00 ²			1		. LINK, TERM. CONNE: 2 WIRE BLACK	00779	530153-2
-25	131-0566-00 ³			2		. LINK, TERM. CONNE: 0.086 DIA X 2.375 INCH L	0000C	L-2007-1
-26	-----			1		. TRANSISTOR: (SEE Q117 EPL) (ATTACHING PARTS)		
-27	210-0586-00			2		. NUT, PLAIN, EXT W: 4-40 X 0.25 INCH, STL - - - * - - -	78189	OBD
-28	355-0159-00			2		. TERMINAL, STUD: 0.156 HEX. X 0.58 INCH L, BRS	80009	355-0159-00
-29	-----			4		. TRANSISTOR: (SEE Q5, Q7, Q9, Q11 EPL) (ATTACHING PARTS FOR EACH)		
-30	211-0014-00	B010100	B010374	1		. SCREW, MACHINE: 4-40 X 0.50 INCH, PNH STL	83385	OBD
	211-0511-00	B010375		1		. SCREW, MACHINE: 6-32 X 0.50 INCH, PNH STL	83385	OBD
-31	210-0071-00			1		. WASHER, SPR TNSN: 0.146 ID X 0.323" OD, STL	78189	4706-05-01-0531
-32	210-0811-00			1		. WSHR, SHOULDERED: 0.125 ID X 0.50 INCH OD	74921	6525
-33	210-0851-00	B010100	B010374	1		. WASHER, FLAT: 0.119 ID X 0.375 INCH OD, STL	12327	OBD
	210-0803-00	B010375		1		. WASHER, FLAT: 0.15 ID X 0.375 INCH OD, STL	12327	OBD
-34	210-0586-00	B010100	B010374	1		. NUT, PLAIN, EXT W: 4-40 X 0.25 INCH, STL	78189	OBD
	210-0407-00	B010375		1		. NUT, PLAIN, HEX.: 6-32 X 0.25 INCH, BRS - - - * - - -	73743	3038-0228-402

¹4010 only
²4010-1 only
³Used with -04 suffix boards only

Replaceable Mechanical Parts—4010 Maintenance

Fig. & Index No.	Tektronix Part No.	Serial/Model No. Eff	Dscont	Qty	1	2	3	4	5	Name & Description	Mfr Code	Mfr Part Number
3-35	342-0136-00			4	.					INSULATOR,WSHR:0.812 OD X 0.0025 INCH THK	80009	342-0136-00
-36	-----			4	.					TRANSISTORS:(SEE Q93,Q95,Q97,Q99 EPL) (ATTACHING PARTS FOR EACH)		
-37	211-0511-00			2	.					SCREW,MACHINE:6-32 X 0.50 INCH,PNH STL	83385	OBD
-38	210-0967-00			2	.					WSHR,SHOULDERED:0.157 ID X 0.375 INCH OD	80009	210-0967-00
-39	210-0803-00			2	.					WASHER,FLAT:0.15 ID X 0.375 INCH OD,STL	12327	OBD
-40	210-0202-00			1	.					TERMINAL,LUG:SE #6	78189	2104-06-00-2520N
-41	210-0407-00			1	.					NUT,PLAIN,HEX.:6-32 X 0.25 INCH,BRS	73743	3038-0228-402
-42	210-0457-00			1	.					NUT,PLAIN,EXT W:6-32 X 0.312 INCH,STL	83385	OBD
										- - - * - - -		
-43	386-0143-00			4	.					INSULATOR,PLATE:0.002 INCH MICA,FOR TO-2	02735	DF31A
-44	214-1669-00			1	.					HEAT SINK,XSTR: (ATTACHING PARTS)	80009	214-1669-00
-45	211-0507-00			6	.					SCREW,MACHINE:6-32 X 0.312 INCH,PNH STL	83385	OBD
										- - - * - - -		
-46	384-0519-00			6	.					POST,ELEC-MECH:HEX,0.25 X 0.562 INCH, (ATTACHING PARTS FOR EACH)	80009	384-0519-00
-47	211-0601-00			1	.					SCR,ASSEM WSHR:6-32 X 0.312 INCH,PNH BRS	80009	211-0601-00
										- - - * - - -		
-48	175-0826-00			FT	.					WIRE,ELECTRICAL:3 WIRE RIBBON	08261	TEK-175-0826-00
-49	131-0707-00			8	.					CONTACT,ELEC:0.48"L,22-26 AWG WIRE	22526	47439
-50	352-0161-00			4	.					CONN BODY,PL,EL:3 WIRE BLACK	80009	352-0161-00
-51	-----			1	.					CKT BOARD ASSY:MOTHER(SEE A3 EPL) (ATTACHING PARTS)		
-52	211-0511-00			8	.					SCREW,MACHINE:6-32 X 0.50 INCH,PNH STL	83385	OBD
										- - - * - - -		
					.					CKT BOARD ASSEMBLY INCLUDES:		
-53	131-0589-00			40	.					CONTACT,ELEC:0.46 INCH LONG	22526	47350
	131-0589-00 ¹			48	.					CONTACT,ELEC:0.46 INCH LONG	22526	47350
-54	131-0993-00 ¹			4	.					LINK,TERM.CONNE:2 WIRE BLACK	00779	530153-2
-55	131-1148-00			8	.					KEY,CONN PLZN:PLASTIC	00779	6711-6
-56	131-1147-00			4	.					CONN,RCPT,ELEC:72 PIN	00779	PE1-14180
-57	441-1037-00			1	.					CHASSIS,TERM:CIRCUIT BOARD (ATTACHING PARTS)	80009	441-1037-00
										- - - * - - -		
-58	213-0302-00			4	.					SCREW,TPG,TF:6-20 X 0.50 INCH,PNH STL	83385	OBD
										- - - * - - -		
-59	179-1808-00 ²	B010100	B010359	1	.					WIRING HARNESS:HARD COPY	80009	179-1808-00
	179-1808-01 ²	B010360		1	.					WIRING HARNESS:HARD COPY (ATTACHING PARTS)	80009	179-1808-01
-60	129-0260-00 ²			2	.					POST,ELEC-MECH:0.255 HEX.X 0.500 INCH L	80009	129-0260-00
-61	210-0586-00 ²			2	.					NUT,PLAIN,EXT W:4-40 X 0.25 INCH,STL	78189	OBD
										- - - * - - -		
					.					CABLE ASSEMBLY INCLUDES:		
-62	131-0458-00 ²			1	.					CONNECTOR,RCPT,:15 PIN,FEMALE	71468	DALS
-63	131-0621-00 ²			8	.					CONTACT,ELEC:0.577"L,22-26 AWG WIRE	22526	46231
	131-0622-00 ²			2	.					CONTACT,ELEC:0.577"L,28-32 AWG WIRE	22526	46241
	131-0792-00 ²			4	.					CONTACT,ELEC:0.577"L,18-20 AWG WIRE	22526	46221
-64	131-1159-00 ²			1	.					CONTACT,ELEC:250 FASTEN	00779	60041-2
-65	352-0197-00 ²			1	.					CONN BODY,PL,EL:1 WIRE BLACK	80009	352-0197-00
-66	352-0200-00 ²			1	.					CONN BODY,PL,EL:4 WIRE BLACK	80009	352-0200-00
-67	352-0205-00 ²			1	.					CONN BODY,PL,EL:9 WIRE BLACK	80009	352-0205-00
-68	407-1024-00 ²			1	.					BRKT,CONN MTG: (ATTACHING PARTS)	80009	407-1024-00
-69	211-0638-00 ²			2	.					SCREW,MACHINE:6-32 X 0.738 INCH,THS	83385	OBD
-70	210-0457-00 ²			2	.					NUT,PLAIN,EXT W:6-32 X 0.312 INCH,STL	83385	OBD
										- - - * - - -		
-71	351-0238-00			2	.					GUIDE,CKT BD:PLASTIC (ATTACHING PARTS FOR EACH)	80009	351-0238-00
-72	211-0507-00			6	.					SCREW,MACHINE:6-32 X 0.312 INCH,PNH STL	83385	OBD
-73	210-0457-00			6	.					NUT,PLAIN,EXT W:6-32 X 0.312 INCH,STL	83385	OBD
										- - - * - - -		

¹Used on -02 suffix boards only

²4010-1 only

Replaceable Mechanical Parts—4010 Maintenance

Fig. & Index No.	Tektronix Part No.	Serial/Model No. Eff	Dscnt	Qty	1 2 3 4 5					Name & Description	Mfr Code	Mfr Part Number
3-74	343-0603-01			1						CLAMP, LOOP: 0.5 INCH DIA (ATTACHING PARTS)	80009	343-0603-01
-75	210-0457-00			1						NUT, PLAIN, EXT W: 6-32 X 0.312 INCH, STL - - - * - - -	83385	OBD
-76	348-0056-00			1						GROMMET, PLASTIC: 0.375 INCH DIA	80009	348-0056-00
-77	255-0334-00			1						PLASTIC CHANNEL: 0.667 FT LONG	80009	255-0334-00
-78	334-1917-00			1						MARKER, IDENT:	80009	334-1917-00
-79	-----			1						SWITCH, ROCKER: POWER (SEE S501 EPL) (ATTACHING PARTS)		
-80	211-0541-00			2						SCREW, MACHINE: 6-32 X 0.25" 100 DEG, FLH STL - - - * - - -	83385	OBD
-81	131-1249-00	B010100	B010263X	2						CONTACT, ELEC: QUICK DISCONNECT, 4 CONTACT (ATTACHING PARTS FOR EACH)	00779	41478
-82	211-0097-00	B010100	B010263X	2						SCREW, MACHINE: 4-40 X 0.312 INCH, PNH STL	83385	OBD
-83	210-0004-00	B010100	B010263X	2						WASHER, LOCK: INTL, 0.12 ID X 0.26" OD, STL	78189	1204-00-00-0541C
-84	210-0586-00	B010100	B010263X	2						NUT, PLAIN, EXT W: 4-40 X 0.25 INCH, STL - - - * - - -	78189	OBD
-85	124-0264-00			1						STRIP, TRIM: REAR (ATTACHING PARTS)	80009	124-0264-00
-86	210-0457-00			2						NUT, PLAIN, EXT W: 6-32 X 0.312 INCH, STL - - - * - - -	83385	OBD
-87	343-0005-00			2						CLAMP, LOOP: 0.438 INCH	95987	7-16-6B
-88	343-0003-00			2						CLAMP, LOOP: 0.25 INCH DIA (ATTACHING PARTS FOR EACH)	95987	1-4 6R
-89	210-0457-00			1						NUT, PLAIN, EXT W: 6-32 X 0.312 INCH, STL	83385	OBD
-90	210-0863-00			1						WSHR, LOOP CLAMP: FOR 0.50" WIDE CLAMP, STL - - - * - - -	95987	C191
-91	348-0292-00			4						FOOT, CABINET: BASE (ATTACHING PARTS FOR EACH)	81044	EK-1
-92	210-0411-00			1						NUT, PLAIN, HEX.: 0.25-20 X 0.438 INCH STL - - - * - - -	73743	OBD
-93	200-1378-00			4						CAP, TRIM: BLACK PLASTIC	80009	200-1378-00
-94	432-0073-00			1						BASE, PED UNIT: (ATTACHING PARTS)	80009	432-0073-00
-95	213-0163-00			4						SCR, CAP, SOC. HD: 0.25-32 X 0.625 INCH, STL	74445	OBD
-96	210-0853-00			4						WASHER, FLAT: 0.25 ID X 0.50 OD - - - * - - -	86044	OBD
-97	437-0130-00			1						CAP., PED UNIT:	80009	437-0130-00
-98	220-0625-00			18						NUT, SHEET SPR: 6-32 THD, STL	78553	C8090-632-24
	179-1758-00			1						WIRING HARNESS: AC NO. 1	80009	179-1758-00
-99	131-0946-00			1						CONN, BODY, RCPT: 4 CONTACT, IN-LINE, FEMALE	27264	03-09-2041
-100	131-0945-00			4						CONTACT, ELEC: 0.865 INCH LONG, MALE, BRS	27264	02-09-2103

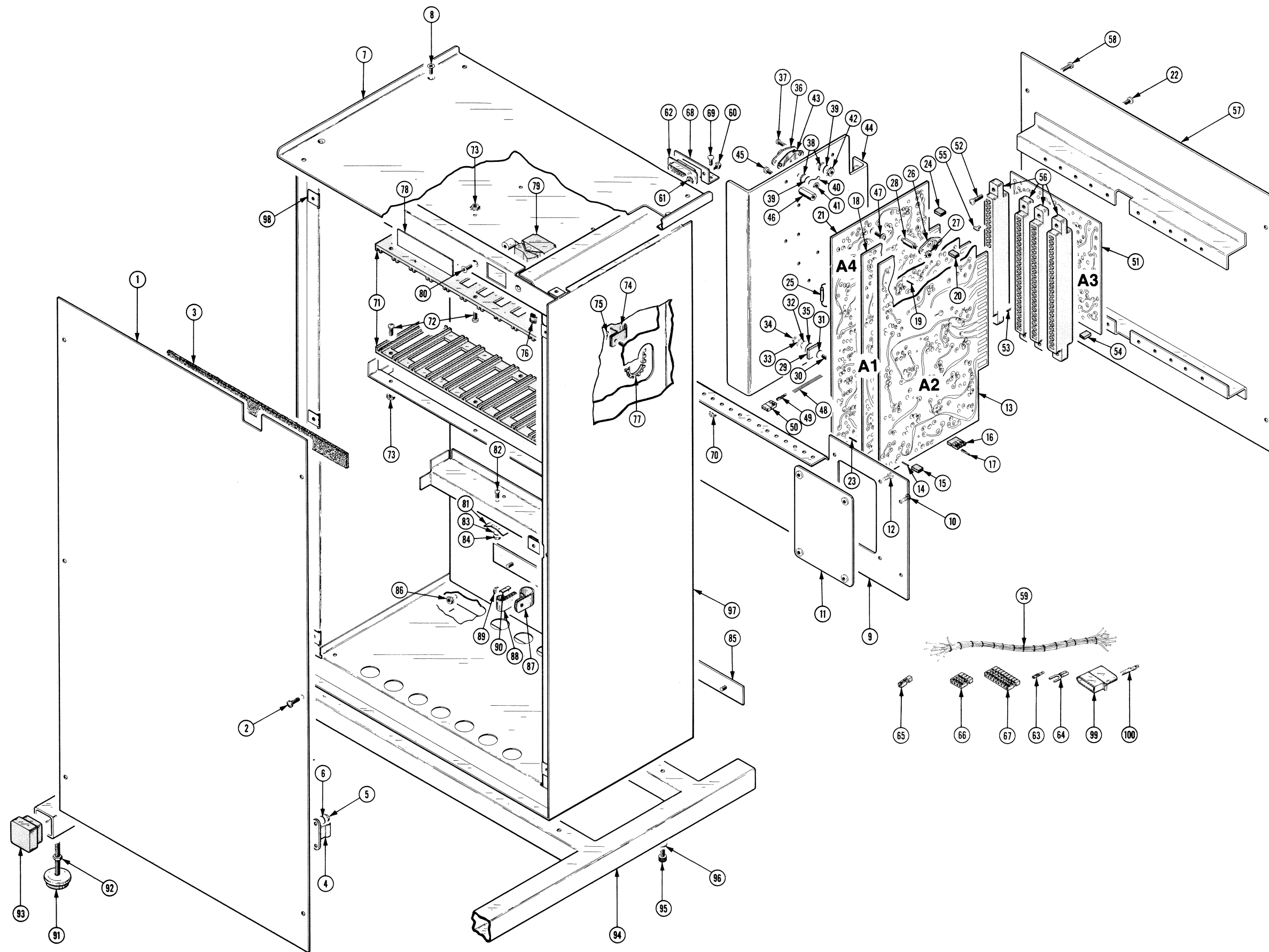
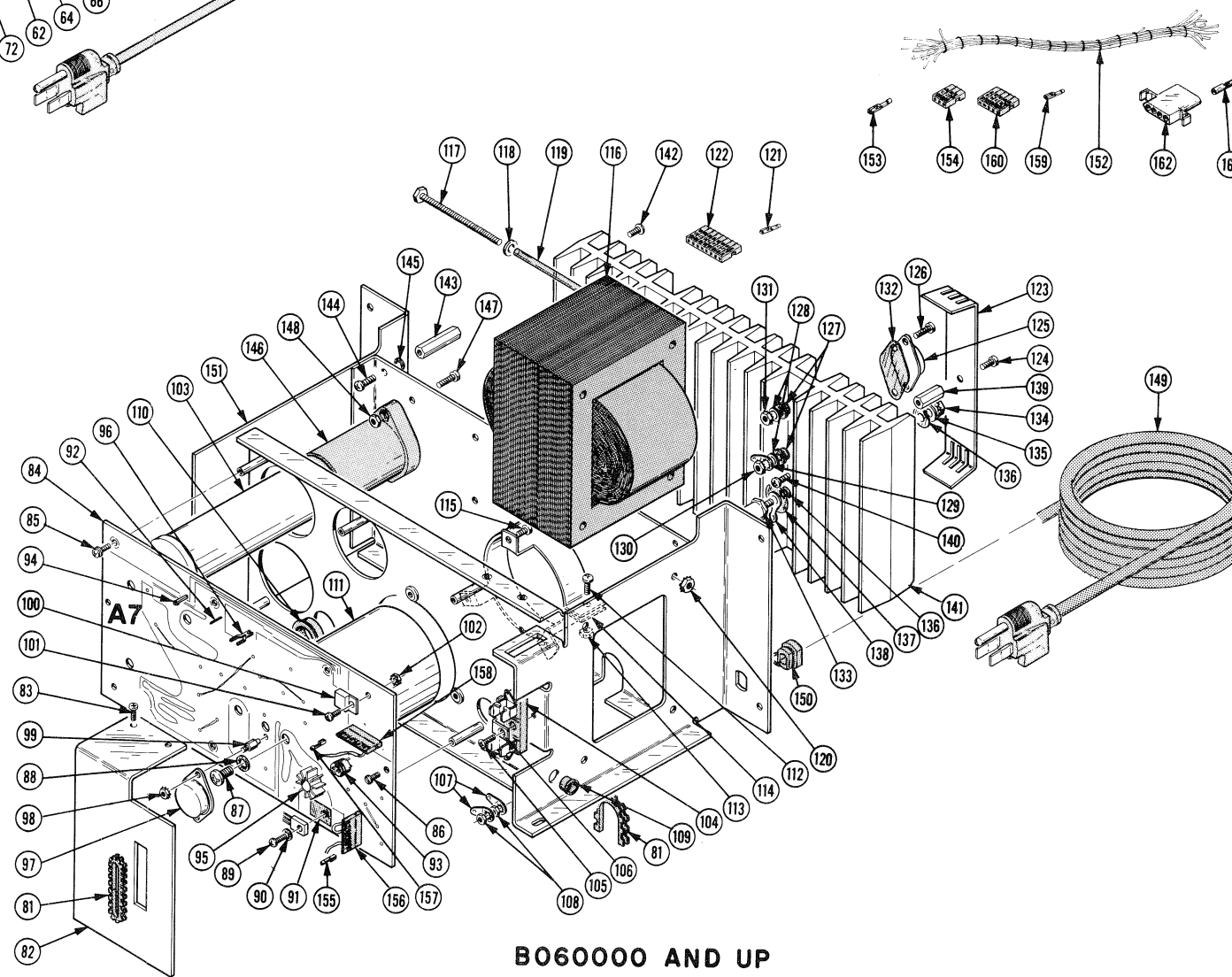
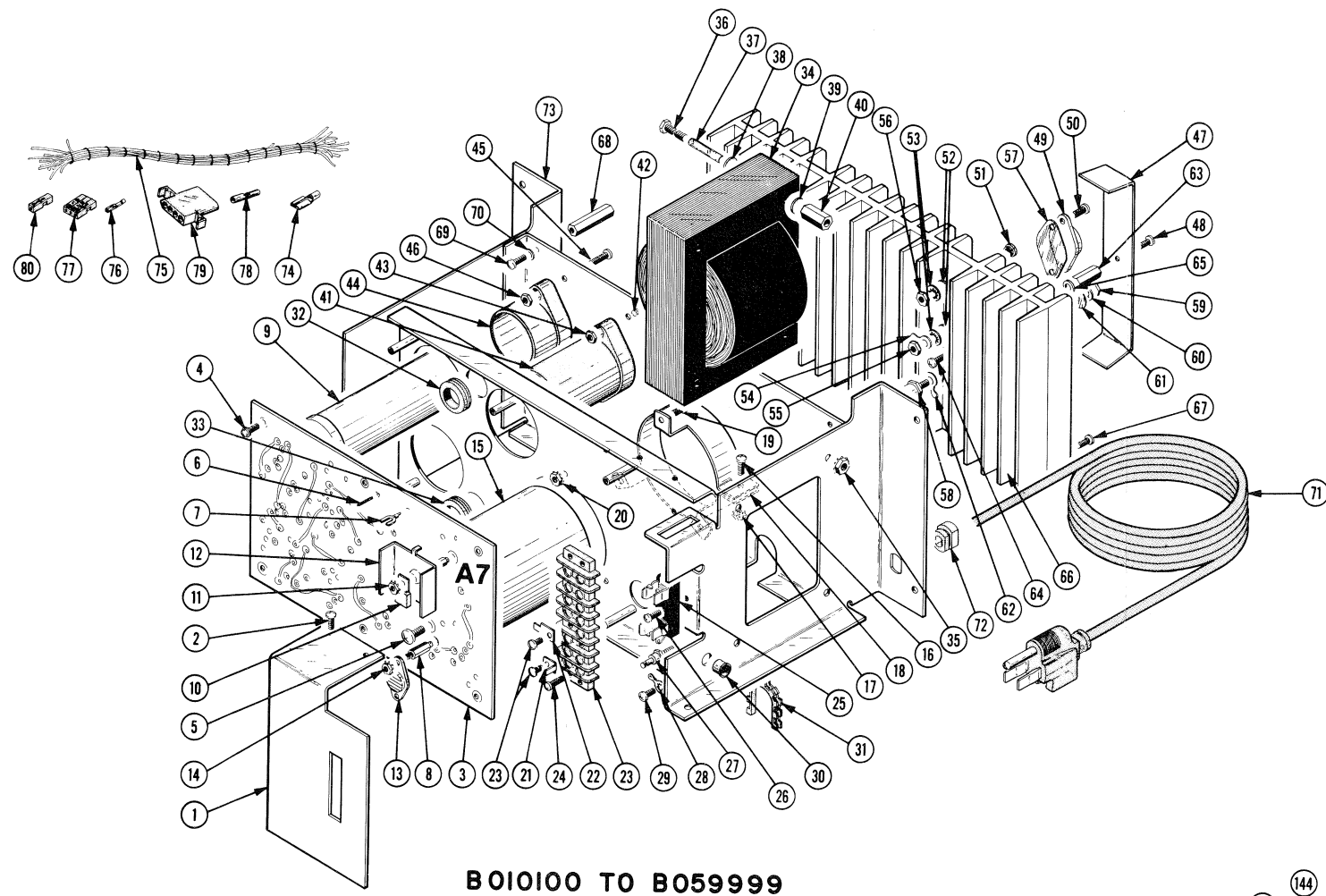


FIG. 3 PEDESTAL UNIT

FIG. 4 POWER SUPPLY



Replaceable Mechanical Parts—4010 Maintenance

Fig. & Index No.	Tektronix Part No.	Serial/Model No. Eff	Dscont	Qty	Name & Description					Mfr	
					1	2	3	4	5	Code	Mfr Part Number
4-	620-0225-00	B010100	B059999	1	POWER SUPPLY: (ATTACHING PARTS)					80009	620-0225-00
	213-0302-00			4	SCREW,TPG,TF:6-20 X 0.50 INCH,PNH STL					83385	OBD
	211-0507-00			2	SCREW,MACHINE:6-32 X 0.312 INCH,PNH STL					83385	OBD
	210-0006-00			2	WASHER,LOCK:INTL,0.146 IDX 0.288 OD,STL					78189	1206-00-00-0541C
	-----				- - - * - - -						
-1	337-1629-00			1	. POWER SUPPLY ASSEMBLY INCLUDES: . SHIELD,FUSE: (ATTACHING PARTS)					80009	337-1629-00
-2	211-0097-00			2	. SCREW,MACHINE:4-40 X 0.312 INCH,PNH STL					83385	OBD
	-----				- - - * - - -						
-3	-----			1	. CKT BOARD ASSY:LV POWER SUPPLY(SEE A6 EPL) (ATTACHING PARTS)						
-4	211-0116-00			6	. SCR,ASSEM WSHR:4-40 X 0.312 INCH,PNH BRS					83385	OBD
-5	212-0518-00			2	. SCREW,MACHINE:10-32 X 0.312 INCH,PNH STL					83385	OBD
	-----				- - - * - - -						
-6	131-0589-00			40	. . CONTACT,ELEC:0.46 INCH LONG					22526	47350
-7	344-0154-00			6	. . CLIP,ELECTRICAL:FOR 0.25 INCH DIA FUSE					80009	344-0154-00
-8	355-0159-00			3	. . TERMINAL,STUD:0.156 HEX X 0.58 INCH L,BRS					80009	355-0159-00
-9	-----			3	. . CAPACITORS:(SEE C9,C23,C53 EPL)						
-10	-----			1	. . TRANSISTOR:(SEE Q75 EPL) (ATTACHING PARTS)						
-11	210-0586-00			1	. . NUT,PLAIN,EXT W:4-40 X 0.25 INCH,STL					78189	OBD
	210-0004-00			1	. . WASHER,LOCK:INTL,0.12 ID X 0.26"OD,STL					78189	1204-00-00-0541C
	-----				- - - * - - -						
-12	214-1671-00			1	. . HEAT SINK,ELEC:TRANSISTOR					80009	214-1671-00
-13	-----			1	. . TRANSISTOR:(SEE Q117 EPL) (ATTACHING PARTS)						
-14	210-0586-00			2	. . NUT,PLAIN,EXT W:4-40 X 0.25 INCH,STL					78189	OBD
	-----				- - - * - - -						
-15	-----			1	. CAPACITOR:(SEE C41 EPL) (ATTACHING PARTS)						
-16	211-0513-00			1	. SCREW,MACHINE:6-32 X 0.625 INCH,PNH STL					83385	OBD
-17	210-0457-00			1	. NUT,PLAIN,EXT W:6-32 X 0.312 INCH,STL					83385	OBD
	-----				- - - * - - -						
-18	343-0064-00			1	. CLAMP,LOOP:CAPACITOR MTG (ATTACHING PARTS)					80009	343-0064-00
-19	211-0510-00			3	. SCREW,MACHINE:6-32 X 0.312 INCH,PNH STL					83385	OBD
-20	210-0457-00			3	. NUT,PLAIN,EXT W:6-32 X 0.312 INCH,STL					83385	OBD
	-----				- - - * - - -						
-21	210-0292-00			10	. TERMINAL,LUG:					98410	3701
-22	131-1247-00			9	. CONTACT,ELEC:					00779	61664-1
-23	124-0006-00			1	. TERMINAL BOARD: (ATTACHING PARTS)					71785	353-19-08-168
-24	211-0198-00			2	. SCREW,MACHINE:4-40 X 0.438 INCH,RDH NYLON					77250	OBD
	-----				- - - * - - -						
-25	352-0031-00			1	. FUSEHOLDER:3AG FUSE (ATTACHING PARTS)					75915	357001
-26	211-0510-00			1	. SCREW,MACHINE:6-32 X 0.312 INCH,PNH STL					83385	OBD
	-----				- - - * - - -						
-27	129-0006-00			1	. TERMINAL,STUD:INSULATED					00866	1700P
-28	210-0201-00			1	. TERMINAL,LUG:SE #4 (ATTACHING PARTS)					78189	2104-04-00-2520N
-29	213-0044-00			1	. SCR,TPG,THD FOR:5-32 X 0.188 INCH,PNH STL					83385	OBD
	-----				- - - * - - -						
-30	348-0056-00			1	. GROMMET,PLASTIC:0.375 INCH DIA					80009	348-0056-00
-31	255-0334-00			1	. PLASTIC CHANNEL:0.667 FT LONG					80009	255-0334-00
-32	348-0012-00			1	. GROMMET,RUBBER:					72653	1043-1M
-33	348-0006-00			2	. GROMMET,RUBBER:0.562 ID X 0.875 INCH OD					70485	1720
-34	-----			1	. TRANSFORMER:POWER(SEE T501 EPL) (ATTACHING PARTS)						
-35	220-0410-00			4	. NUT,EXTENDED WA:10-32 X 0.375 INCH,STL					83385	OBD
	-----				- - - * - - -						

Replaceable Mechanical Parts—4010 Maintenance

Fig. & Index No.	Tektronix Part No.	Serial/Model No. Eff	No. Dscont	Qty	1	2	3	4	5	Name & Description	Mfr Code	Mfr Part Number
4-	-----	-----		-	TRANSFORMER INCLUDES:		
-36	212-0515-00			4	SCREW, MACHINE:10-32 X 2.250" HEX. HD STL	83385	OBD
-37	166-0226-00			4	INSUL SLVG, ELEC:1.125 INCHES LONG	80009	166-0226-00
-38	210-0812-00			4	WASHER, NONMETAL:#10, FIBER	06982	OBD
-39	210-0805-00			4	WASHER, FLAT:0.204 ID X 0.438 INCH OD, STL	12327	OBD
-40	384-0597-00			4	ROD, SPACER:0.25 OD X 1.312 LONG, NYLON	80009	384-0597-00
-41	432-0048-00			2	BASE, CAP. MTG:	80009	432-0048-00
										(ATTACHING PARTS FOR EACH)		
-42	211-0513-00			2	SCREW, MACHINE:6-32 X 0.625 INCH, PNH STL	83385	OBD
-43	210-0407-00			2	NUT, PLAIN, HEX.:6-32 X 0.25 INCH, BRS	73743	3038-0228-402
										- - - * - - -		
-44	432-0048-01			1	BASE, CAP. MTG:	80009	432-0048-01
										(ATTACHING PARTS)		
-45	211-0513-00			2	SCREW, MACHINE:6-32 X 0.625 INCH, PNH STL	83385	OBD
-46	210-0407-00			2	NUT, PLAIN, HEX.:6-32 X 0.25 INCH, BRS	73743	3038-0228-402
										- - - * - - -		
-47	200-1330-00			2	COVER, XSTR:	80009	200-1330-00
										(ATTACHING PARTS FOR EACH)		
-48	211-0537-00			1	SCREW, MACHINE:6-32 X 0.375 INCH, TRH STL	83385	OBD
										- - - * - - -		
-49	-----	-----		3	TRANSISTORS:(SEE Q510,Q515,Q520 EPL)		
										(ATTACHING PARTS FOR EACH)		
-50	211-0513-00			2	SCREW, MACHINE:6-32 X 0.625 INCH, PNH STL	83385	OBD
-51	210-0910-00			2	WASHER, NONMETAL:0.188 ID X 0.313" OD, TEFLON	02107	1704B863
-52	210-0967-00			2	WSHR, SHOULDERED:0.157 ID X 0.375 INCH OD	80009	210-0967-00
-53	210-0803-00			2	WASHER, FLAT:0.15 ID X 0.375 INCH OD, STL	12327	OBD
-54	210-0202-00			1	TERMINAL, LUG:SE #6	78189	2104-06-00-2520N
-55	210-0407-00			1	NUT, PLAIN, HEX.:6-32 X 0.25 INCH, BRS	73743	3038-0228-402
-56	210-0457-00			1	NUT, PLAIN, EXT W:6-32 X 0.312 INCH, STL	83385	OBD
										- - - * - - -		
-57	386-0978-00			3	INSULATOR, PLATE:0.002 INCH MICA, FOR TO-3	80009	386-0978-00
-58	-----	-----		2	SEMICONV DEVICE:(SEE CR502,CR503 EPL)		
										(ATTACHING PARTS FOR EACH)		
-59	220-0410-00			1	NUT, EXTENDED WA:10-32 X 0.375 INCH, STL	83385	OBD
-60	210-0805-00			1	WASHER, FLAT:0.204 ID X 0.438 INCH OD, STL	12327	OBD
-61	210-0909-00			1	WASHER, FLAT:0.196 ID X 0.625 INCH OD, MICA	83309	OBD
	210-0910-00			1	WASHER, NONMETAL:0.188 ID X 0.313" OD, TEFLON	02107	1704B863
-62	210-0224-00			1	TERMINAL LUG:SINGLE	78189	2501-10-00-2220N
										- - - * - - -		
-63	384-0519-00			2	POST, ELEC-MECH:HEX,0.25 X 0.562 INCH,	80009	384-0519-00
										(ATTACHING PARTS FOR EACH)		
-64	211-0510-00			1	SCREW, MACHINE:6-32 X 0.312 INCH, PNH STL	83385	OBD
-65	210-0006-00			1	WASHER, LOCK:INTL,0.146 IDX 0.288 OD, STL	78189	1206-00-00-0541C
										- - - * - - -		
-66	214-1666-00			1	HEAT SINK, XSTR:	80009	214-1666-00
										(ATTACHING PARTS)		
-67	211-0537-00			6	SCREW, MACHINE:6-32 X 0.375 INCH, TRH STL	83385	OBD
										- - - * - - -		
-68	385-0122-00			6	POST, ELEC-MECH:HEX,0.25 X 0.937 INCH LONG	80009	385-0122-00
										(ATTACHING PARTS FOR EACH)		
-69	211-0510-00			1	SCREW, MACHINE:6-32 X 0.312 INCH, PNH STL	83385	OBD
-70	210-0006-00			1	WASHER, LOCK:INTL,0.146 IDX 0.288 OD, STL	78189	1206-00-00-0541C
										- - - * - - -		
-71	161-0033-07			1	CABLE ASSY, PWR,:3 WIRE,92 INCH LONG	16428	KH8002
										(ATTACHING PARTS)		
-72	358-0161-00			1	BSHG, STRAIN RLF:FOR 0.50 INCH HOLE, PLASTIC	28520	SR5P4
										- - - * - - -		
-73	437-0129-00			1	CHAS, PWR SPLY:MAIN	80009	437-0129-00
-74	131-0861-00			4	CONTACT, ELEC:QUICK DISCONNECT	00779	42617-2
-75	179-1760-00			1	WIRING HARNESS:POWER NO. 1	80009	179-1760-00
-76	131-0621-00			3	CONTACT, ELEC:0.577"L, 22-26 AWG WIRE	22526	46231
-77	352-0199-00			1	CONN BODY, PL, EL:3 WIRE BLACK	80009	352-0199-00
	179-1759-00			1	WIRING HARNESS:AC NO. 2	80009	179-1759-00

Replaceable Mechanical Parts—4010 Maintenance

Fig. & Index No.	Tektronix Part No.	Serial/Model No. Eff	Dscnt	Qty	Name & Description					Mfr Code	Mfr Part Number
					1	2	3	4	5		
4-78	131-0948-00			4	.	.	CONTACT,ELEC:0.865 INCH L,FEMALE,BRS	27264	02-09-1103		
-79	131-0947-00			1	.	.	CONNECTOR BODY,:MALE,4 CONTACT	27264	03-09-1041		
	179-1761-00			1	.	.	WIRING HARNESS:POWER NO. 2	80009	179-1761-00		
	131-0621-00			4	.	.	CONTACT,ELEC:0.577"L,22-26 AWG WIRE	22526	46231		
-80	352-0197-00			1	.	.	CONN BODY,PL,EL:1 WIRE BLACK	80009	352-0197-00		
	352-0199-00			1	.	.	CONN BODY,PL,EL:3 WIRE BLACK	80009	352-0199-00		
	620-0225-01	B060000		1	.	.	POWER SUPPLY:LOW VOLTAGE	80009	620-0225-01		
							(ATTACHING PARTS)				
	213-0302-00			4	.	.	SCREW,TPG,TF:6-20 X 0.50 INCH,PNH STL	83385	OBD		
	211-0507-00			2	.	.	SCREW,MACHINE:6-32 X 0.312 INCH,PNH STL	83385	OBD		
	210-0006-00			2	.	.	WASHER,LOCK:INTL,0.146 IDX 0.288 OD,STL	78189	1206-00-00-0541C		
							- - - - *				
					.	.	POWER SUPPLY ASSEMBLY INCLUDES:				
-81	255-0334-00			1	.	.	PLASTIC CHANNEL:0.667 FT LONG	80009	255-0334-00		
-82	337-2287-00			1	.	.	SHIELD,ELEC:FUSE	80009	337-2287-00		
							(ATTACHING PARTS)				
-83	211-0097-00			2	.	.	SCREW,MACHINE:4-40 X 0.312 INCH,PNH STL	83385	OBD		
							- - - - *				
-84				1	.	.	CKT BOARD ASSY:LV POWER SUPPLY				
							(ATTACHING PARTS)				
-85	211-0116-00			5	.	.	SCR,ASSEM WSHR:4-40 X 0.312 INCH,PNH BRS	83385	OBD		
-86	211-0040-00			1	.	.	SCREW,MACHINE:4-40 X 0.25",BDGH PLSTC	26365	OBD		
-87	212-0507-00			2	.	.	SCREW,MACHINE:10-32 X 0.375 INCH,PNH STL	83385	OBD		
-88	210-0010-00			2	.	.	WASHER,LOCK:INT,0.20 ID X0.376" OD,STL	78189	1210-00-00-0541C		
-89	211-0198-00			1	.	.	SCREW,MACHINE:4-40 X 0.438 INCH,RDH NYLON	77250	OBD		
-90	210-1122-00			1	.	.	WASHER,LOCK:0.228 ID X 0.375 INCH OD,STL	78189	4704-04-02		
-91	343-0202-00			1	.	.	INSULATOR PLATE:TRANSISTOR,MICA	01295	10-21-023-106		
							- - - - *				
					.	.	CKT BOARD ASSEMBLY INCLUDES:				
-92	131-0589-00			72	.	.	CONTACT,ELEC:0.46 INCH LONG	22526	47350		
-93	136-0183-00			2	.	.	SOCKET,PLUG-IN:3 PIN,ROUND	80009	136-0183-00		
-94	214-0579-00			5	.	.	TERM. TEST PT:0.40 INCH LONG	80009	214-0579-00		
-95	214-1292-00			2	.	.	HEAT SINK,ELEC:TRANSISTOR	05820	205-AB		
-96	344-0154-00			6	.	.	CLIP,ELECTRICAL:FOR 0.25 INCH DIA FUSE	80009	344-0154-00		
-97				1	.	.	TRANSISTOR:(SEE Q265 EPL)				
							(ATTACHING PARTS)				
-98	210-0586-00			2	.	.	NUT,PLAIN,EXT W:4-40 X 0.25 INCH,STL	78189	OBD		
							- - - - *				
-99	355-0159-00			2	.	.	TERMINAL,STUD:0.156 HEX. X 0.58 INCH L,BRS	80009	355-0159-00		
-100				1	.	.	TRANSISTOR:(SEE Q80 EPL)				
							(ATTACHING PARTS)				
-101	211-0097-00			1	.	.	SCREW,MACHINE:4-40 X 0.312 INCH,PNH STL	83385	OBD		
-102	210-0586-00			1	.	.	NUT,PLAIN,EXT W:4-40 X 0.25 INCH,STL	78189	OBD		
							- - - - *				
-103				3	.	.	CAPACITORS:(SEE C3,C5,C205 EPL)				
-104	352-0031-00			1	.	.	FUSEHOLDER:3AG FUSE	75915	357001		
							(ATTACHING PARTS)				
-105	211-0512-00			1	.	.	SCREW,MACHINE:6-32 X 0.50" 100 DEG,FLH STL	83385	OBD		
							- - - - *				
-106	343-0559-00			1	.	.	RTNR,FUSEHOLDER:	80009	343-0559-00		
-107	210-0202-00			2	.	.	TERMINAL,LUG:SE #6	78189	2104-06-00-2520N		
							(ATTACHING PARTS FOR EACH)				
-108	210-0407-00			1	.	.	NUT,PLAIN,HEX.:6-32 X 0.25 INCH,BRS	73743	3038-0228-402		
							- - - - *				
-109	348-0056-00			1	.	.	GROMMET,PLASTIC:0.375 INCH DIA	80009	348-0056-00		
-110	348-0050-00			2	.	.	GROMMET,PLASTIC:0.75 INCH DIA	80009	348-0050-00		
-111				1	.	.	CAPACITOR:(SEE C255 EPL)				
							(ATTACHING PARTS)				
-112	211-0511-00			1	.	.	SCREW,MACHINE:6-32 X 0.50 INCH,PNH STL	83385	OBD		
-113	210-0457-00			1	.	.	NUT,PLAIN,EXT W:6-32 X 0.312 INCH,STL	83385	OBD		
							- - - - *				
-114	343-0067-01			1	.	.	CLMAP,LOOP:CAPACITOR MTG	80009	343-0067-01		
							(ATTACHING PARTS)				
-115	211-0590-00			3	.	.	SCREW,MACHINE:6-32 X 0.25 INCH,PNH STL	83385	OBD		
							- - - - *				

Replaceable Mechanical Parts—4010 Maintenance

Fig. & Index No.	Tektronix Part No.	Serial/Model No. Eff	No. Dscont	Qty	1	2	3	4	5	Name & Description	Mfr Code	Mfr Part Number
4-116	-----	-----		1	TRANSFORMER:POWER(SEE T501 EPL) (ATTACHING PARTS)		
-117	212-0511-00			4	SCREW,MACHINE:10-32 X 3" LONG,HEX.HD STL	83385	OBD
-118	210-0812-00			4	WASHER,NONMETAL:#10,FIBER	06982	OBD
-119	166-0434-00			4	SPACER,SLEEVE:MYLAR	80009	166-0434-00
-120	220-0410-00			4	NUT,EXTENDED WA:10-32 X 0.375 INCH,STL	83385	OBD
	-----	-----		-	TRANSFORMER INCLUDES:		
-121	131-0621-00			8	CONTACT,ELEC:0.577"L,22-26 AWG WIRE	22526	46231
-122	352-0205-00			1	CONN BODY,PL,EL:9 WIRE BLACK	80009	352-0205-00
-123	200-1330-00			2	COVER,XSTR:	80009	200-1330-00
					(ATTACHING PARTS FOR EACH)		
-124	211-0504-00			1	SCREW,MACHINE:6-32 X 0.25 INCH,PNH STL	83385	OBD
-125	-----	-----		3	TRANSISTORS:(SEE Q510,Q515,Q520 EPL) (ATTACHING PARTS FOR EACH)		
-126	211-0513-00			2	SCREW,MACHINE:6-32 X 0.625 INCH,PNH STL	83385	OBD
-127	210-0967-00			2	WSHR,SHOULDERED:0.157 ID X 0.375 INCH OD	80009	210-0967-00
-128	210-0803-00			2	WASHER,FLAT:0.15 ID X 0.375 INCH OD,STL	12327	OBD
-129	210-0202-00			1	TERMINAL,LUG:SE #6	78189	2104-06-00-2520N
-130	210-0407-00			1	NUT,PLAIN,HEX.:6-32 X 0.25 INCH,BRS	73743	3038-0228-402
-131	210-0457-00			1	NUT,PLAIN,EXT W:6-32 X 0.312 INCH,STL	83385	OBD
-132	386-0978-00			3	INSULATOR,PLATE:0.002 INCH MICA,FOR TO-3	80009	386-0978-00
-133	-----	-----		2	SEMICONV DEVICE:(SEE CR502,CR503 EPL) (ATTACHING PARTS FOR EACH)		
-134	220-0410-00			1	NUT,EXTENDED WA:10-32 X 0.375 INCH,STL	83385	OBD
-135	210-0805-00			1	WASHER,FLAT:0.204 ID X 0.438 INCH OD,STL	12327	OBD
-136	210-0905-00			2	WASHER,FLAT:0.256 ID X 0.438 INCH OD,BRS	83385	OBD
-137	210-0910-00			1	WASHER,NONMETAL:0.188 ID X 0.313" OD,TEFLON	02107	1704B863
-138	210-0224-00			1	TERMIANL LUG:SINGLE	78189	2501-10-00-2220N
-139	384-0519-00			2	POST,ELEC-MECH:HEX,0.25 X 0.562 INCH, (ATTACHING PARTS FOR EACH)	80009	384-0519-00
-140	211-0510-00			1	SCREW,MACHINE:6-32 X 0.312 INCH,PNH STL	83385	OBD
-141	214-1666-00			1	HEAT SINK,XSTR: (ATTACHING PARTS)	80009	214-1666-00
-142	211-0537-00			6	SCREW,MACHINE:6-32 X 0.375 INCH,TRH STL	83385	OBD
-143	385-0122-00			6	POST,ELEC-MECH:HEX,0.25 X 0.937 INCH LONG (ATTACHING PARTS FOR EACH)	80009	385-0122-00
-144	211-0510-00			1	SCREW,MACHINE:6-32 X 0.312 INCH,PNH STL	83385	OBD
-145	210-0006-00			1	WASHER,LOCK:INTL,0.146 ID X 0.288 OD,STL	78189	1206-00-00-0541C
-146	432-0048-01			3	BASE,CAP. MTG: (ATTACHING PARTS FOR EACH)	80009	432-0048-01
-147	211-0513-00			2	SCREW,MACHINE:6-32 X 0.625 INCH,PNH STL	83385	OBD
-148	210-0407-00			2	NUT,PLAIN,HEX.:6-32 X 0.25 INCH,BRS	73743	3038-0228-402
-149	161-0033-00			1	CABLE ASSY,PWR,:POWER (ATTACHING PARTS)	70903	KH5442-290D
-150	358-0161-00			1	BSHG,STRAIN RLF:FOR 0.50 INCH HOLE,PLASTIC	28520	SR5P4
	-----	-----		-	POWER CORD ASSEMBLY INCLUDES:		
	131-0948-00			2	CONTACT,ELEC:0.865 INCH L,FEMALE,BRS	27264	02-09-1103
-151	437-0199-00			1	CHAS,PWR SPLY:MAIN	80009	437-0199-00
-152	179-1760-01			1	WIRING HARNESS:POWER NO. 1	80009	179-1760-01
-153	131-0621-00			3	CONTACT,ELEC:0.577"L,22-26 AWG WIRE	22526	46231
-154	352-0199-00			1	CONN BODY,PL,EL:3 WIRE BLACK	80009	352-0199-00
	179-1761-01			1	WIRING HARNESS:POWER NO. 2	80009	179-1761-01
	131-0621-00			3	CONTACT,ELEC:0.577"L,22-26 AWG WIRE	22526	46231
	352-0199-00			1	CONN BODY,PL,EL:3 WIRE BLACK	80009	352-0199-00

Replaceable Mechanical Parts—4010 Maintenance

Fig. & Index No.	Tektronix Part No.	Serial/Model No. Eff	No. Dscont	Qty	1	2	3	4	5	Name & Description	Mfr	
											Code	Mfr Part Number
4-	131-1776-00			1	.					LINK,TERM.CONNE:BLACK,2,26 AWG,600V	80009	131-1776-00
-155	131-0707-00			4	.					CONTACT,ELEC:0.48"L,22-26 AWG WIRE	22526	47439
-156	352-0166-00			1	.					CONN BODY,PL,EL:8 WIRE BLACK	80009	352-0166-00
	131-1925-00			1	.					LINK,TERM,CONNE:26 AWG,1.75 LONG	80009	131-1925-00
-157	131-0707-00			2	.					CONTACT,ELEC:0.48"L,22-26 AWG WIRE	22526	47439
-158	352-0167-00			1	.					CONN BODY,PL,EL:9 WIRE BLACK	80009	352-0167-00
-159	131-0621-00			3	.					CONTACT,ELEC:0.577"L,22-26 AWG WIRE	22526	46231
-160	352-0201-00			1	.					CONN BODY,PL,EL:5 WIRE BLACK	80009	352-0201-00
-161	131-0948-00			2	.					CONTACT,ELEC:0.865 INCH L,FEMALE,BRS	27264	02-09-1103
-162	131-0947-00			1	.					CONNECTOR BODY,:MALE,4 CONTACT	27264	03-09-1041

STANDARD ACCESSORIES

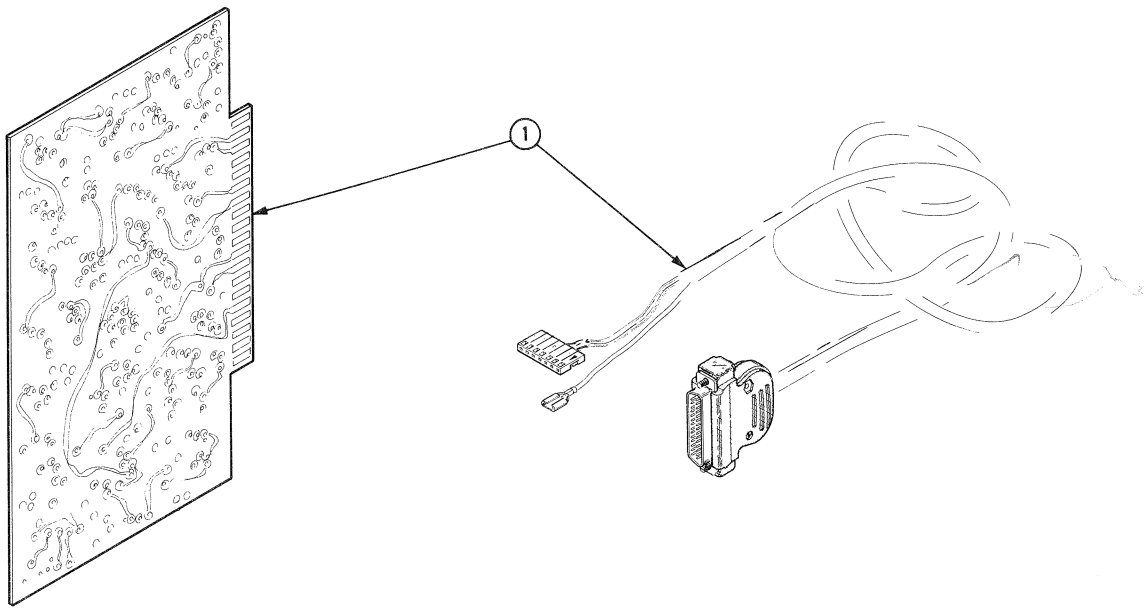


FIG. 5 ACCESSORIES

Fig. & Index No.	Tektronix Part No.	Serial/Model No. Eff	No. Dscont	Qty	1	2	3	4	5	Name & Description	Mfr Code	Mfr Part Number
5-1	021-0065-00			1						INTERFACE ASSY:DATA COMMUNICATION	80009	021-0065-00
	070-1225-00			1						MANUAL, TECH: OPERATORS	80009	070-1225-00
	1458									Escalator - General		067-0653-00
										\$561.00		
										Blower		613-225-2850

